

# PLC-BPT- 24DC/21RW - Relay base



2900261

<https://www.phoenixcontact.com/us/products/2900261>

Please be informed that the data shown in this PDF document is generated from our online catalog. Please find the complete data in the user documentation. Our general terms of use for downloads are valid.



6.2 mm PLC basic terminal block for railway applications with Push-in connection, without relay or solid-state relay, range from  $0.7 \times U_N$  to  $1.25 \times U_N$ , temperature range from  $-25^\circ\text{C}$  to  $+70^\circ\text{C}$ , 1 changeover contact, input voltage 24 V DC

## Your advantages

- Vibration and shock resistance in accordance with EN 50155
- Safe isolation between coil and contact side
- Input voltage range of 0.7 to 1.25 x UN
- Temperature range:  $-25^\circ\text{C}$  ...  $+70^\circ\text{C}$

## Commercial data

Item number	2900261
Packing unit	10 pc
Minimum order quantity	10 pc
Sales key	C461
Product key	DK62AL
GTIN	4046356512916
Weight per piece (including packing)	30.2 g
Weight per piece (excluding packing)	27.73 g
Customs tariff number	85366990
Country of origin	DE

# PLC-BPT- 24DC/21RW - Relay base



2900261

<https://www.phoenixcontact.com/us/products/2900261>

## Technical data

### Notes

#### Utilization restriction

EMC note	EMC: class A product, see manufacturer's declaration in the download area
----------	---

### Product properties

Product type	Relay socket
Product family	PLC-INTERFACE
Application	Railway applications
Operating mode	100% operating factor

### Electrical properties

Protective circuit	Damping diode, polarity protection diode
--------------------	--

### Input data

Nominal input voltage $U_N$	24 V DC The nominal voltage of the plug-on electromechanical relay or solid-state relay (see necessary accessories) deviates from the nominal input voltage of the base with integrated upstream circuit
Protective circuit	Freewheeling diode
Nominal input voltage $U_N$	24 V DC The nominal voltage of the plug-on electromechanical relay or solid-state relay (see necessary accessories) deviates from the nominal input voltage of the base with integrated upstream circuit

### Relay assembly

Nominal input voltage $U_N$	24 V DC
Input voltage range in reference to $U_N$	0.65 ... 1.25
Typical input current at $U_N$	12 mA
Typical response time	5 ms
Typical release time	8 ms
Operating voltage display	Yellow LED
Protective circuit	Reverse polarity protection; Polarity protection diode Freewheeling diode; Freewheeling diode

### Connection data

Connection method	Push-in connection
Stripping length	10 mm
Conductor cross-section rigid	0.14 mm <sup>2</sup> ... 2.5 mm <sup>2</sup>
Conductor cross-section flexible	0.14 mm <sup>2</sup> ... 2.5 mm <sup>2</sup> 0.2 mm <sup>2</sup> ... 2.5 mm <sup>2</sup> (Single ferrule) 2x 0.5 mm <sup>2</sup> ... 1 mm <sup>2</sup> (TWIN ferrule)
Conductor cross-section AWG	26 ... 14

# PLC-BPT- 24DC/21RW - Relay base



2900261

<https://www.phoenixcontact.com/us/products/2900261>

## Signaling

Status display	LED
----------------	-----

## Dimensions

### Item dimensions

Width	6.2 mm
Height	80 mm
Depth	94 mm

## Material specifications

Color	gray (RAL 7042)
Flammability rating according to UL 94 (Housing)	V0 (Housing)

## Environmental and real-life conditions

### Ambient conditions

Ambient temperature (operation)	-25 °C ... 70 °C
Ambient temperature (storage/transport)	-40 °C ... 85 °C

## Approvals

### CE

Certificate	CE-compliant
-------------	--------------

### UKCA

Certificate	UKCA-compliant
-------------	----------------

### Shipbuilding approval

Certificate	TAE0000196
-------------	------------

### Corrosive gas test

Identification	ISA-S71.04. G3 Harsh Group
	EN 60068-2-60

### Shipbuilding data

Temperature	D
Humidity	A
Vibration	B/C
EMC	B
Enclosure	Required protection according to the Rules shall be provided upon installation on board

## EMC data

Electromagnetic compatibility	Conformance with EMC directive
Low Voltage Directive	Conformance with Low Voltage Directive

## Standards and regulations

# PLC-BPT- 24DC/21RW - Relay base



2900261

<https://www.phoenixcontact.com/us/products/2900261>

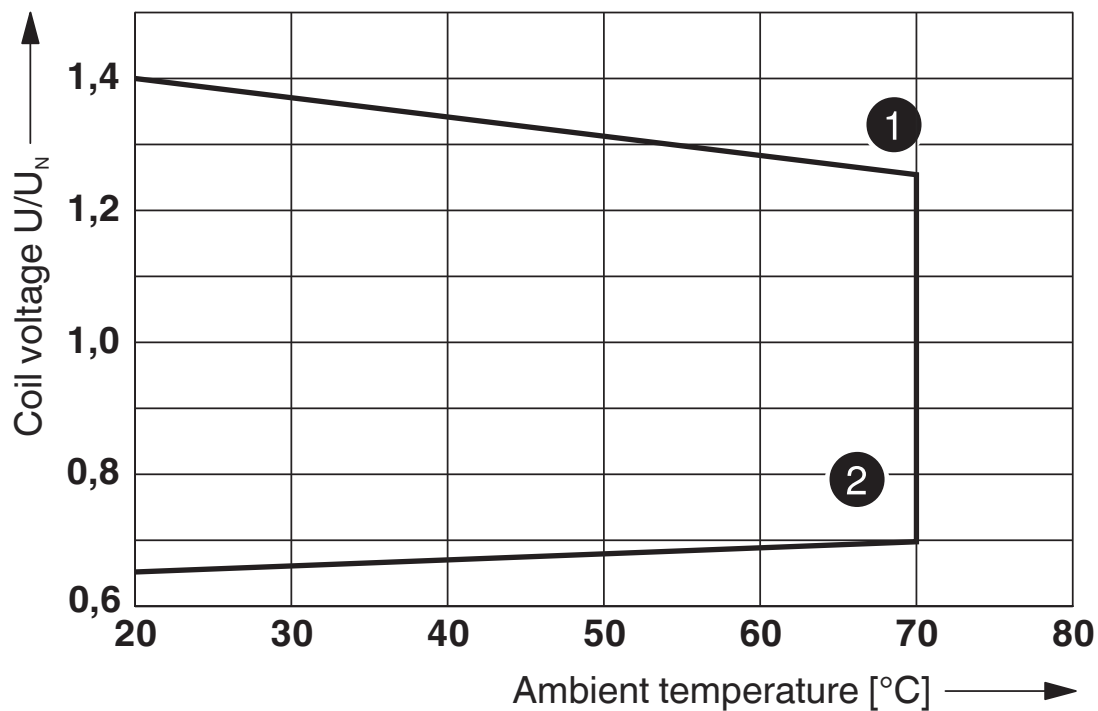
Standards/regulations	IEC/EN 60664-1
-----------------------	----------------

## Mounting

Mounting type	DIN rail mounting
Assembly note	in rows with zero spacing
Mounting position	any

## Drawings

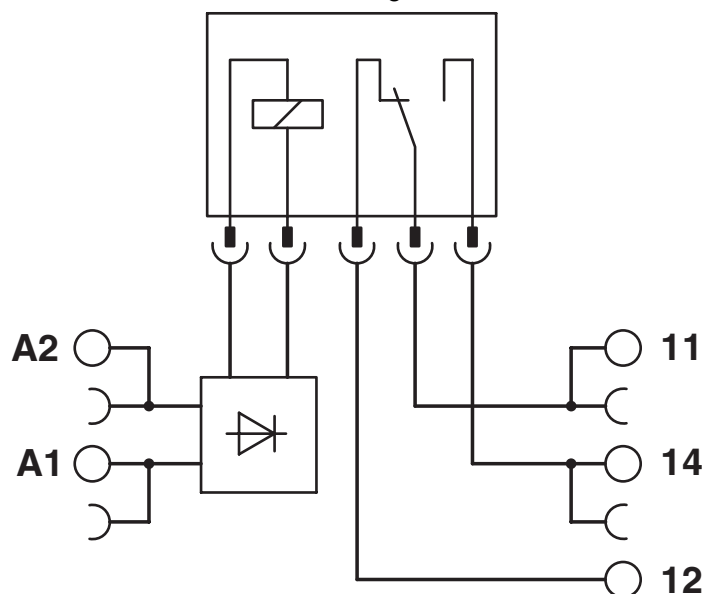
Diagram



- ① Maximum continuous voltage at limiting continuous current = 3 A
- ② Minimum operate voltage  
For pre-excitation with  $U_N$  and limiting continuous current = 3 A

### Operating voltage range

Circuit diagram



# PLC-BPT- 24DC/21RW - Relay base



2900261

<https://www.phoenixcontact.com/us/products/2900261>

## Approvals

To download certificates, visit the product detail page: <https://www.phoenixcontact.com/us/products/2900261>



**cUL Recognized**  
Approval ID: E238705



**UL Recognized**  
Approval ID: E238705



**EAC**  
Approval ID: RU D-DE.B\*00573/18

**DNV**

Approval ID: TAE0000196

# PLC-BPT- 24DC/21RW - Relay base



2900261

<https://www.phoenixcontact.com/us/products/2900261>

## Classifications

### ECLASS

ECLASS-13.0	27371603
ECLASS-15.0	27371603

### ETIM

ETIM 10.0	EC001456
-----------	----------

### UNSPSC

UNSPSC 21.0	39122300
-------------	----------

# PLC-BPT- 24DC/21RW - Relay base



2900261

<https://www.phoenixcontact.com/us/products/2900261>

## Environmental product compliance

### EU RoHS

Fulfills EU RoHS substance requirements	Yes
Exemption	7(a), 7(c)-I

### China RoHS

Environment friendly use period (EFUP)	EFUP-50
	An article-related China RoHS declaration table can be found in the download area for the respective article under "Manufacturer declaration". For all articles with EFUP-E, no China RoHS declaration table issued and required.

### EU REACH SVHC

REACH candidate substance (CAS No.)	Hexahydromethylphthalic anhydride(CAS: n/a)
	Lead(CAS: 7439-92-1)
SCIP	dedc5752-d2e8-4285-9b25-0090fd6048b7

### EF3.1 Climate Change

CO2e kg	0.511 kg CO2e
---------	---------------

Phoenix Contact 2026 © - all rights reserved  
<https://www.phoenixcontact.com>

Phoenix Contact USA  
586 Fulling Mill Road  
Middletown, PA 17057, United States  
(+717) 944-1300  
[info@phoenixcon.com](mailto:info@phoenixcon.com)