

PLC-BPT- 24DC/ 1IC/ACT - Relay base



2900260

<https://www.phoenixcontact.com/us/products/2900260>

Please be informed that the data shown in this PDF document is generated from our online catalog. Please find the complete data in the user documentation. Our general terms of use for downloads are valid.



14 mm PLC basic terminal block for high switch-on currents with push-in connection, without relay or solid-state relay, for mounting on DIN rail NS 35/7,5, with load return line connection (BB), 1 N/O contact, input voltage 24 V DC

Commercial data

Item number	2900260
Packing unit	10 pc
Minimum order quantity	10 pc
Sales key	C461
Product key	DK62B1
GTIN	4046356512398
Weight per piece (including packing)	56.71 g
Weight per piece (excluding packing)	44.1 g
Customs tariff number	85366990
Country of origin	DE

Technical data

Notes

Notes on operation	Separating plate PLC-ATP must be installed for voltages larger than 250 V (L1, L2, L3) between identical terminal blocks in adjacent modules. Potential bridging is then carried out with FBST 8-PLC... or FBST 500....
Notes on operation	The PLC-ATP separating plate should be installed for safe isolation between adjacent modules
Assembly note	The PLC-ATP separating plate is required at the start and end of every PLC terminal strip.
Notes on operation	The system installer must ensure the touch protection of the product (at voltages > 25 V AC/60 V DC). The product is a built-in device without protection against direct contact.

Utilization restriction

EMC note	EMC: class A product, see manufacturer's declaration in the download area
----------	---

Product properties

Product type	Relay socket
Product family	PLC-INTERFACE
Application	high inrush currents
Operating mode	100% operating factor

Insulation characteristics

Insulation	Safe isolation, reinforced insulation
Overvoltage category	III
Pollution degree	3

Electrical properties

Test voltage relay winding/relay contact	4 kV _{rms} (50 Hz, 1 min.)
Rated insulation voltage	250 V AC
Rated surge voltage	6 kV

Input data

Nominal input voltage U _N	24 V DC
	The nominal voltage of the plug-on electromechanical relay or solid-state relay (see necessary accessories) deviates from the nominal input voltage of the base with integrated upstream circuit
Status display	LED (yellow)
Protective circuit	Freewheeling diode
	Polarity protection diode
Nominal input voltage U _N	24 V DC
	The nominal voltage of the plug-on electromechanical relay or solid-state relay (see necessary accessories) deviates from the nominal input voltage of the base with integrated upstream circuit

PLC-BPT- 24DC/ 1IC/ACT - Relay base



2900260

<https://www.phoenixcontact.com/us/products/2900260>

Connection data

Connection method	Push-in connection
Stripping length	10 mm
Conductor cross-section rigid	0.14 mm ² ... 2.5 mm ²
Conductor cross-section flexible	0.14 mm ² ... 2.5 mm ² 0.2 mm ² ... 2.5 mm ² (Single ferrule) 2x 0.5 mm ² ... 1 mm ² (TWIN ferrule)
Conductor cross-section AWG	26 ... 14

Dimensions

Item dimensions

Width	14 mm
Height	80 mm
Depth	94 mm

Material specifications

Color	gray (RAL 7042)
Flammability rating according to UL 94 (Housing)	V0 (Housing)

Environmental and real-life conditions

Ambient conditions

Degree of protection	IP20
Degree of protection (Installation location)	≥ IP54 (Installation location)
Ambient temperature (operation)	-40 °C ... 60 °C
Ambient temperature (storage/transport)	-40 °C ... 85 °C
Altitude	≤ 2000 m

Approvals

CE

Certificate	CE-compliant
-------------	--------------

UKCA

Certificate	UKCA-compliant
-------------	----------------

Shipbuilding approval

Certificate	TAE0000196
-------------	------------

Corrosive gas test

Identification	ISA-S71.04. G3 Harsh Group EN 60068-2-60
----------------	---

Shipbuilding data

Temperature	D
Humidity	A

PLC-BPT- 24DC/ 1IC/ACT - Relay base



2900260

<https://www.phoenixcontact.com/us/products/2900260>

Vibration	B/C
EMC	B
Enclosure	Required protection according to the Rules shall be provided upon installation on board

EMC data

Electromagnetic compatibility	Conformance with EMC directive
Low Voltage Directive	Conformance with Low Voltage Directive

Standards and regulations

Standards/regulations	EN 50178
	EN 61810-1
	IEC/EN 60664-1

Mounting

Mounting type	DIN rail mounting
Assembly note	in rows with zero spacing
Mounting position	any

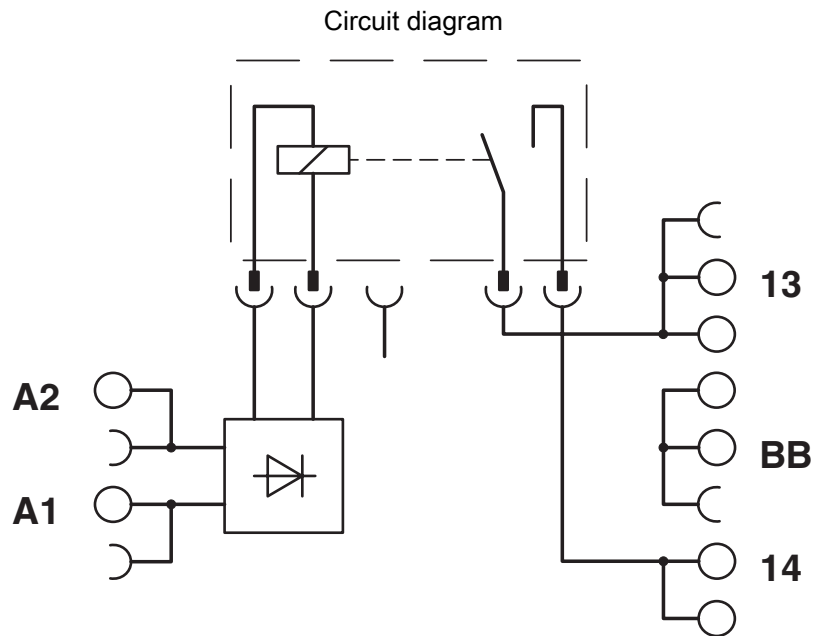
PLC-BPT- 24DC/ 1IC/ACT - Relay base



2900260

<https://www.phoenixcontact.com/us/products/2900260>

Drawings



PLC-BPT- 24DC/ 1IC/ACT - Relay base



2900260

<https://www.phoenixcontact.com/us/products/2900260>

Approvals

To download certificates, visit the product detail page: <https://www.phoenixcontact.com/us/products/2900260>



cUL Recognized
Approval ID: E238705



UL Recognized
Approval ID: E238705



EAC
Approval ID: RU D-DE.B*00573/18

DNV

Approval ID: TAE0000196

PLC-BPT- 24DC/ 1IC/ACT - Relay base



2900260

<https://www.phoenixcontact.com/us/products/2900260>

Classifications

ECLASS

ECLASS-13.0	27371603
ECLASS-15.0	27371603

ETIM

ETIM 10.0	EC001456
-----------	----------

UNSPSC

UNSPSC 21.0	39122300
-------------	----------

PLC-BPT- 24DC/ 1IC/ACT - Relay base



2900260

<https://www.phoenixcontact.com/us/products/2900260>

Environmental product compliance

EU RoHS

Fulfills EU RoHS substance requirements	Yes
Exemption	7(a), 7(c)-I

China RoHS

Environment friendly use period (EFUP)	EFUP-50
	An article-related China RoHS declaration table can be found in the download area for the respective article under "Manufacturer declaration". For all articles with EFUP-E, no China RoHS declaration table issued and required.

EU REACH SVHC

REACH candidate substance (CAS No.)	Hexahydromethylphthalic anhydride(CAS: n/a)
	Lead(CAS: 7439-92-1)
SCIP	62957c3c-9e6e-462e-ab2b-b34ce7723cc7

EF3.1 Climate Change

CO2e kg	0.906 kg CO2e
---------	---------------

Phoenix Contact 2026 © - all rights reserved
<https://www.phoenixcontact.com>

Phoenix Contact USA
586 Fulling Mill Road
Middletown, PA 17057, United States
(+717) 944-1300
info@phoenixcon.com