

RAD-WHA-1/2NPT - WirelessHART adapter



2900100

<https://www.phoenixcontact.com/us/products/2900100>

Please be informed that the data shown in this PDF document is generated from our online catalog. Please find the complete data in the user documentation. Our general terms of use for downloads are valid.

Adapter that can be used to interface HART field devices into a WirelessHART network.



Product description

Adapter that can be used to interface HART field devices into a WirelessHART network.

Your advantages

- Connected HART devices can transmit data via a WirelessHART network
- A standard signal with 4 ... 20 mA can be connected in order to integrate non-HART devices into a WirelessHART network
- 1/2" NPT connection for distributed or direct device connection
- Removable antenna for connecting a coaxial cable and a high-gain antenna
- Up to 4 HART devices can be connected to one adapter

Commercial data

Item number	2900100
Packing unit	1 pc
Note	Made to order (non-returnable)
Sales key	DN26
Product key	DNC621
GTIN	4046356583930
Weight per piece (including packing)	1,127.5 g
Weight per piece (excluding packing)	1,127.5 g
Customs tariff number	85177000
Country of origin	US

RAD-WHA-1/2NPT - WirelessHART adapter



2900100

<https://www.phoenixcontact.com/us/products/2900100>

Technical data

Product properties

Product type	Adapter
Application	Process technology

Electrical properties

Supply

Supply voltage	24 V DC
Supply voltage range	11 V DC ... 30 V DC
Max. current consumption	95 mA

Input data

Analog

Description of the input	Analog input
Current input signal	4 mA ... 20 mA

Analog

Description of the input	HART FSK
--------------------------	----------

Connection data

Connection method	Flying leads, 20 AWG
-------------------	----------------------

Interfaces

Wireless

Interface description	WirelessHART
Note	Test loops connect HART programming tool
Direction	Bi-directional
Frequency	2.4 GHz
Frequency range	2.4 GHz ... 2.4835 GHz
Channel distance	5 MHz
Number of channel groups	15
Transmit capacity, minimum	0 dBm
Transmit capacity, maximum	10 dBm
Minimum receiver sensitivity	-90 dBm
Antenna	External
Antenna connection method	N (female)

Dimensions

Width	87.2 mm
Height	161 mm
Depth	65.3 mm

RAD-WHA-1/2NPT - WirelessHART adapter



2900100

<https://www.phoenixcontact.com/us/products/2900100>

Material specifications

Housing material	Aluminum, die-cast, corrosion resistant, powder-coated
------------------	--

Environmental and real-life conditions

Ambient conditions

Degree of protection	IP65
Ambient temperature (operation)	-40 °C ... 70 °C
Ambient temperature (storage/transport)	-40 °C ... 85 °C
Permissible humidity (operation)	10 % ... 100 %

Approvals

Ex data

ATEX	Ⓜ II 3G Ex nA [nL] IIC T4 Gc, Ex nA [ic] IIC T4 Gc, Sira 11ATEX4217X
IECEX	Ex nA [nL] IIC T4 Gc, Ex nA [ic] IIC T4 Gc, SIR 11.0098X
CSA, USA/Canada	Ⓜ Canada: Class I, Division 2, Groups A,B,C,D; Class I, Zone 2, AEx nA [nC] IIC T4 Gc

EMC data

Electromagnetic compatibility	FCC Part 15.247
-------------------------------	-----------------

Mounting

Assembly note	1/2-in. NPT
Mounting position	any

RAD-WHA-1/2NPT - WirelessHART adapter

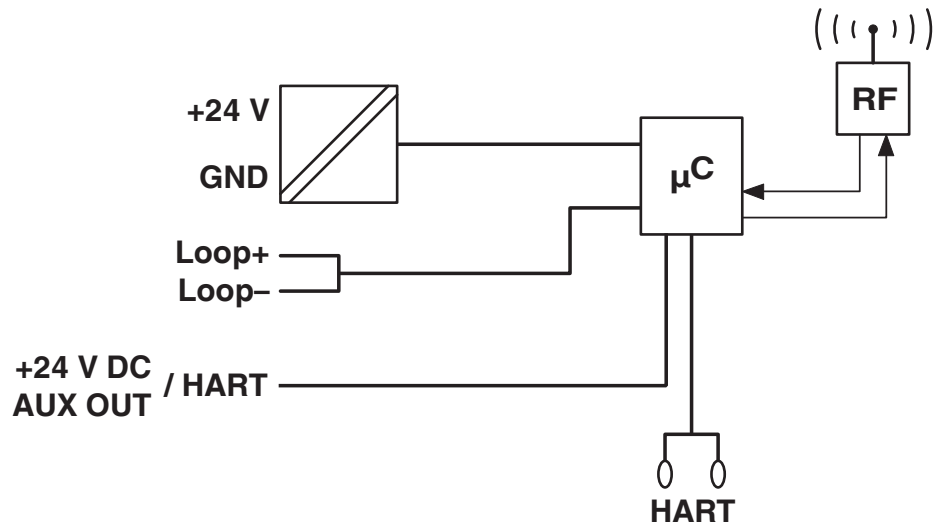


2900100

<https://www.phoenixcontact.com/us/products/2900100>

Drawings

Block diagram



RAD-WHA-1/2NPT - WirelessHART adapter



2900100

<https://www.phoenixcontact.com/us/products/2900100>

Environmental product compliance

China RoHS

Environment friendly use period (EFUP)	EFUP-50
	An article-related China RoHS declaration table can be found in the download area for the respective article under "Manufacturer declaration". For all articles with EFUP-E, no China RoHS declaration table issued and required.

EU REACH SVHC

REACH candidate substance (CAS No.)	No substance above 0.1 wt%
-------------------------------------	----------------------------

Phoenix Contact 2026 © - all rights reserved
<https://www.phoenixcontact.com>

Phoenix Contact USA
586 Fulling Mill Road
Middletown, PA 17057, United States
(+717) 944-1300
info@phoenixcon.com