

RAD-80211-XD/HP - Wireless module



2900046

<https://www.phoenixcontact.com/us/products/2900046>

Please be informed that the data shown in this PDF document is generated from our online catalog. Please find the complete data in the user documentation. Our general terms of use for downloads are valid.



High power WLAN wireless transceiver (transmitter and receiver) with Ethernet, RS-232, RS-485/RS-422 interface, for 2400 MHz ISM band

Your advantages

- Can be programmed for point-to-point, point-to-multipoint, and multipoint-to-point configurations
- Provides an interface for data transmission between older serial devices (RS-232, RS-422, and RS-485 interfaces) and an Ethernet network
- Using the integrated web browser interface, the devices can be configured as an access point, bridge or client
- Supports TCP/IP, UDP, and IPv4 protocols
- High level of security with 128/192/256-bit AES encryption according to 802.11i and optional 802.1x authentication can be set
- Optional, integrated bus foot for connecting RAD-Line extension modules
- Can be used as a Modbus RTU/TCP gateway
- In bridge mode, up to 40 nodes can be connected to a single network, creating a reliable wireless network
- Operates in the license-free 2.4 GHz ISM band
- Provides an industrial 400 mW wireless transceiver

Commercial data

Item number	2900046
Packing unit	1 pc
Minimum order quantity	1 pc
Sales key	DN26
Product key	DNC652
GTIN	4046356462105
Weight per piece (including packing)	276.5 g
Weight per piece (excluding packing)	276.5 g
Customs tariff number	85176200
Country of origin	CA

RAD-80211-XD/HP - Wireless module



2900046

<https://www.phoenixcontact.com/us/products/2900046>

Technical data

Product properties

Product type	Wireless module
--------------	-----------------

Electrical properties

Supply

Supply voltage	24 V DC
Supply voltage range	12 V DC ... 30 V DC
Typical current consumption	230 mA
Max. current consumption	280 mA

Connection data

Connection method	Screw connection
Stripping length	8 mm
Conductor cross-section flexible	0.2 mm ² ... 2.5 mm ²
Conductor cross-section rigid	0.2 mm ² ... 4 mm ²
Cross section AWG	24 ... 14
Screw thread	M3

Interfaces

Serial: RS-232

Data rate	300 ... 57,6 kBit/s
Connection method	D-SUB-9 female connector
File format/coding	Asynchronous
Data flow control/protocols	RTS/CTS

Serial: RS-485/RS-422

Data rate	300 ... 57,6 kBit/s
Connection method	COMBICON plug-in screw terminal block

Wireless

Direction	Bi-directional
Frequency	2.4 GHz
Frequency range	2.4032 GHz ... 2.4799 GHz
Transmission power	400 mW

Wireless

Antenna connection method	MCX (female)
Frequency band	2.4 GHz
	5 GHz
Wireless standard	IEEE 802.11
	a
	b

RAD-80211-XD/HP - Wireless module



2900046

<https://www.phoenixcontact.com/us/products/2900046>

	g
--	---

Dimensions

Width	45 mm
Height	99 mm
Depth	115 mm

Material specifications

Color	green
Housing material	Polyamide PA non-reinforced

Environmental and real-life conditions

Ambient conditions

Degree of protection	IP20
Ambient temperature (operation)	-40 °C ... 70 °C
Ambient temperature (storage/transport)	-40 °C ... 70 °C

Approvals

Conformity/Approvals

Conformance	FCC Directive, Part 15.247
	ISC Directive RSS 210
UL, USA / Canada	Class I, Div. 2, Groups A, B, C, D

Mounting

Assembly note	on standard DIN rail NS 35 in accordance with EN 60715
Mounting position	any

RAD-80211-XD/HP - Wireless module

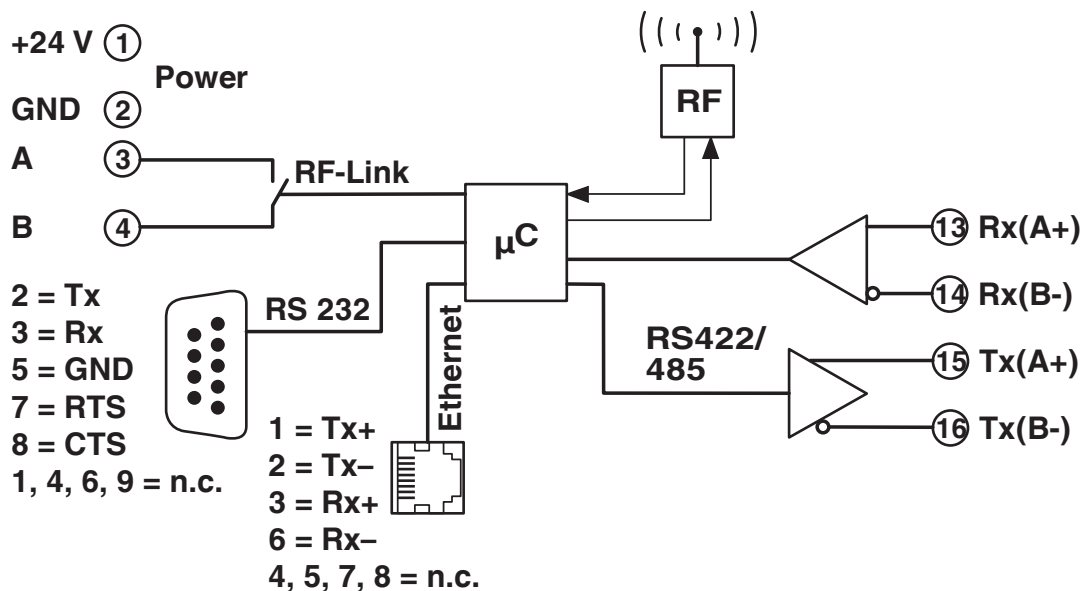


2900046

<https://www.phoenixcontact.com/us/products/2900046>

Drawings

Block diagram



RAD-80211-XD/HP - Wireless module



2900046

<https://www.phoenixcontact.com/us/products/2900046>

Environmental product compliance

China RoHS

Environment friendly use period (EFUP)	EFUP-50
	An article-related China RoHS declaration table can be found in the download area for the respective article under "Manufacturer declaration". For all articles with EFUP-E, no China RoHS declaration table issued and required.

EU REACH SVHC

REACH candidate substance (CAS No.)	No substance above 0.1 wt%
-------------------------------------	----------------------------

Phoenix Contact 2026 © - all rights reserved

<https://www.phoenixcontact.com>

Phoenix Contact USA
586 Fulling Mill Road
Middletown, PA 17057, United States
(+717) 944-1300
info@phoenixcon.com