

IB IL 24 SEG-ELF-PAC/10 - Inline function terminal



2897732

<https://www.phoenixcontact.com/us/products/2897732>

Please be informed that the data shown in this PDF document is generated from our online catalog. Please find the complete data in the user documentation. Our general terms of use for downloads are valid.



Inline, transmission speed in the local bus: 500 kbps / 2 Mbps, degree of protection: IP20

Product description

The terminal is designed for use within an Inline station. This terminal can be used to create a partial circuit (segment circuit) within a main circuit. The terminal is not used for voltage supply. It therefore does not have any elements for protection against polarity reversal and surge voltage. This terminal has an LED for bus diagnostics. It occupies two input data bits, which indicate the status of the electronic fuse.

Commercial data

Item number	2897732
Packing unit	10 pc
Minimum order quantity	10 pc
Sales key	DR19
Product key	DRI122
GTIN	4046356138918
Weight per piece (including packing)	67.98 g
Weight per piece (excluding packing)	44 g
Customs tariff number	85389091
Country of origin	DE

Technical data

Notes

Note on application

Note on application	Only for industrial use
---------------------	-------------------------

Material specifications

Color (Housing)	green (RAL 6021)
-----------------	------------------

Interfaces

Inline local bus

Transmission speed	500 kbps / 2 Mbps
--------------------	-------------------

Product properties

Product type	I/O component
Product family	Inline
Type	modular

Connection data

Connection technology

Connection name	Inline connector
-----------------	------------------

Inline connector

Connection method	Spring-cage connection
Conductor cross-section, rigid	0.08 mm ² ... 1.5 mm ²
Conductor cross-section, flexible	0.08 mm ² ... 1.5 mm ²
Conductor cross-section AWG	28 ... 16
Stripping length	8 mm

Environmental and real-life conditions

Ambient conditions

Degree of protection	IP20
----------------------	------

Mounting

Mounting type	DIN rail mounting
---------------	-------------------

IB IL 24 SEG-ELF-PAC/10 - Inline function terminal

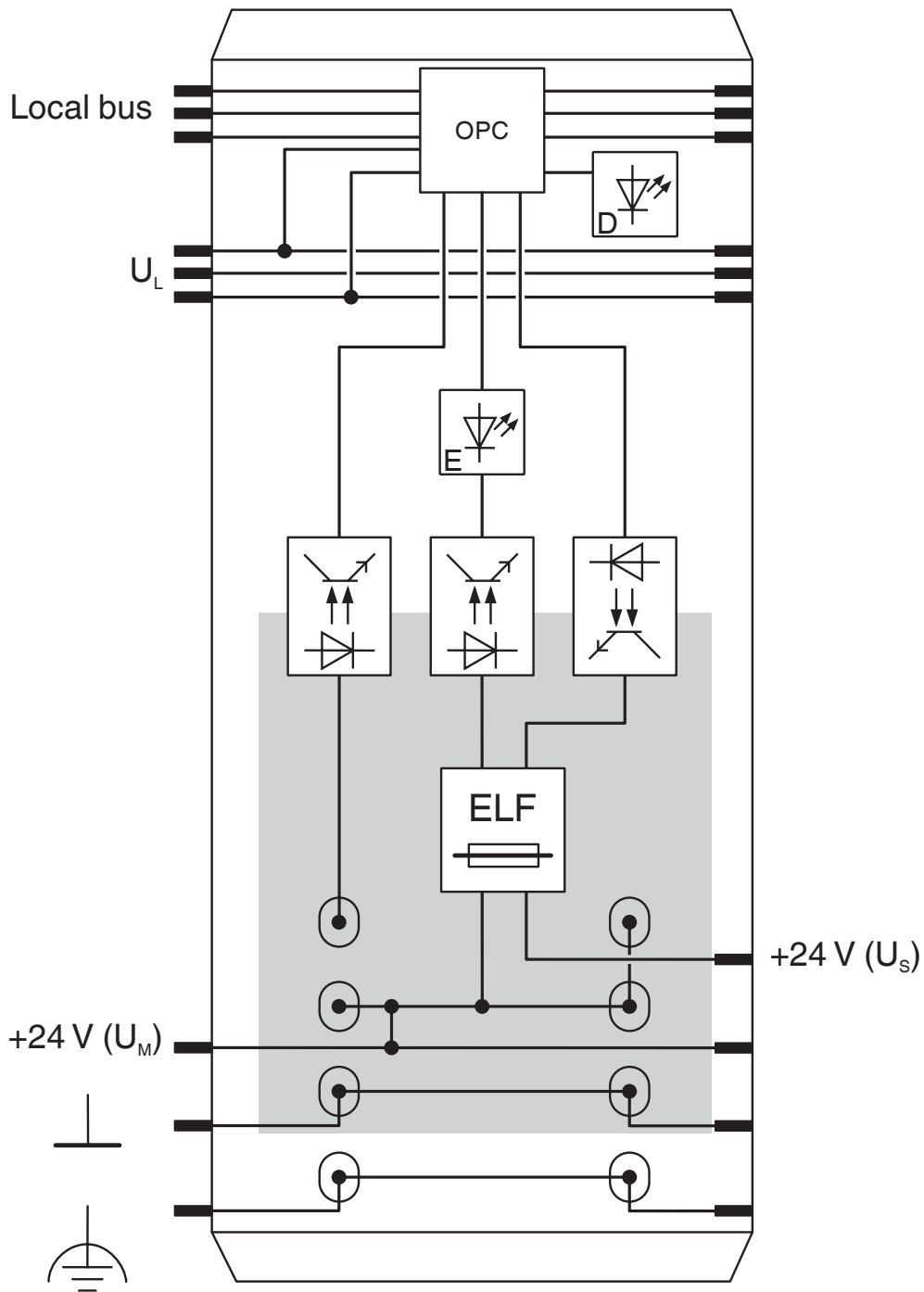
2897732

<https://www.phoenixcontact.com/us/products/2897732>



Drawings

Block diagram



IB IL 24 SEG-ELF-PAC/10 - Inline function terminal



2897732

<https://www.phoenixcontact.com/us/products/2897732>

Classifications

ECLASS

ECLASS-13.0	27242610
ECLASS-15.0	27242610

ETIM

ETIM 10.0	EC001600
-----------	----------

UNSPSC

UNSPSC 21.0	32151600
-------------	----------

2897732

<https://www.phoenixcontact.com/us/products/2897732>

Environmental product compliance

EU RoHS

Fulfills EU RoHS substance requirements	Yes
Exemption	7(a), 7(c)-I

China RoHS

Environment friendly use period (EFUP)	EFUP-50
	An article-related China RoHS declaration table can be found in the download area for the respective article under "Manufacturer declaration". For all articles with EFUP-E, no China RoHS declaration table issued and required.

EU REACH SVHC

REACH candidate substance (CAS No.)	Lead(CAS: 7439-92-1)
-------------------------------------	----------------------

EF3.1 Climate Change

CO2e kg	1.831 kg CO2e
---------	---------------

Phoenix Contact 2026 © - all rights reserved
<https://www.phoenixcontact.com>

Phoenix Contact USA
586 Fulling Mill Road
Middletown, PA 17057, United States
(+717) 944-1300
info@phoenixcon.com