

BC 215,6 UT HBUS BK - Mounting base housing

2896993

<https://www.phoenixcontact.com/us/products/2896993>

Please be informed that the data shown in this PDF document is generated from our online catalog. Please find the complete data in the user documentation. Our general terms of use for downloads are valid.



DIN rail housing for use in distribution boards in accordance with DIN 43880, Lower housing part with base latch, width: 215.6 mm, height: 89.7 mm, depth: 48.9 mm, color: black (similar RAL 9005), cross connection: DIN rail bus connector (optional)

Your advantages

- Coordinated housing and connection system for faster device development
- Individual online configuration for diverse applications in building automation
- Variety of connection technology
- Can be mounted on the DIN rail or the wall
- With DIN-rail-mountable bus connector and power connector system as an option
- Tool-free mounting
- Available in overall widths from 1 ... 9 width units (17.8 mm ... 161.6 mm)
- Compliant with DIN EN 43880

Commercial data

Item number	2896993
Packing unit	1 pc
Note	Made to order (non-returnable)
Sales key	AC10
Product key	ACHBAA
GTIN	4046356806176
Weight per piece (including packing)	75.4 g
Weight per piece (excluding packing)	75.4 g
Customs tariff number	84879090
Country of origin	US

BC 215,6 UT HBUS BK - Mounting base housing



2896993

<https://www.phoenixcontact.com/us/products/2896993>

Technical data

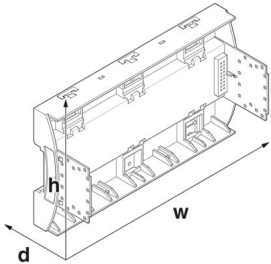
Notes

Assembly note	Please observe the application note in the download area.
---------------	---

Product properties

Product type	Lower housing part
Housing type	DIN rail housing for use in distribution boards in accordance with DIN 43880
Housing series	BC
Product family	BC 215,6
Ventilation openings present	no

Dimensions

Dimensional drawing	
Width	215.6 mm
Height	89.7 mm
Depth	48.9 mm
Horizontal pitch	12 Div.

PCB design

PCB thickness	1.4 mm ... 1.8 mm
---------------	-------------------

Material specifications

Color (Lower housing part)	black (RAL 9005)
Material Lower housing part	PC
Flammability rating according to UL 94	V0
CTI according to IEC 60112	< 400

Environmental and real-life conditions

Ambient conditions

Max. IP code to attain	IP20
Ambient temperature (operation)	-40 °C ... 105 °C (depending on power dissipation)
Ambient temperature (storage/transport)	-40 °C ... 70 °C
Ambient temperature (assembly)	-5 °C ... 100 °C
Relative humidity (storage/transport)	95 %

BC 215,6 UT HBUS BK - Mounting base housing



2896993

<https://www.phoenixcontact.com/us/products/2896993>

PCB data

Number of PCB holders	9
Type of PCB mount	Latching
Thickness of the PCB	1.4 mm ... 1.8 mm

Mounting

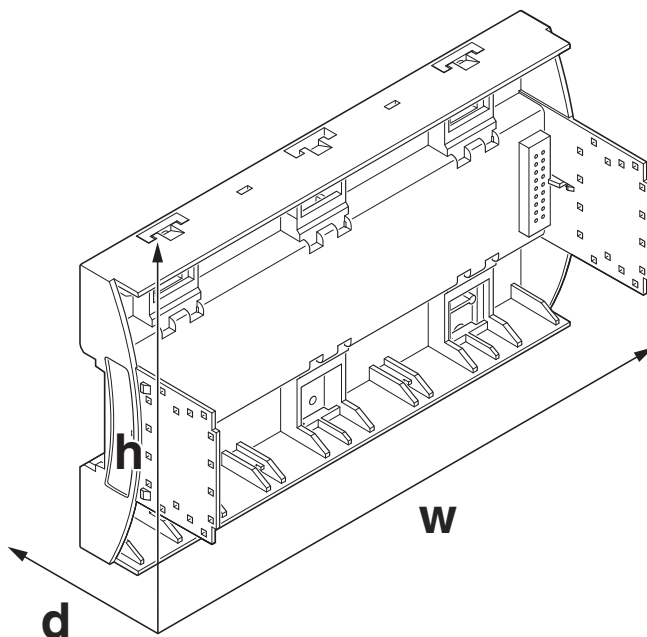
Mounting type	DIN rail mounting/panel mounting
---------------	----------------------------------

Packaging specifications

Type of packaging	packed in cardboard
Outer packaging type	Carton

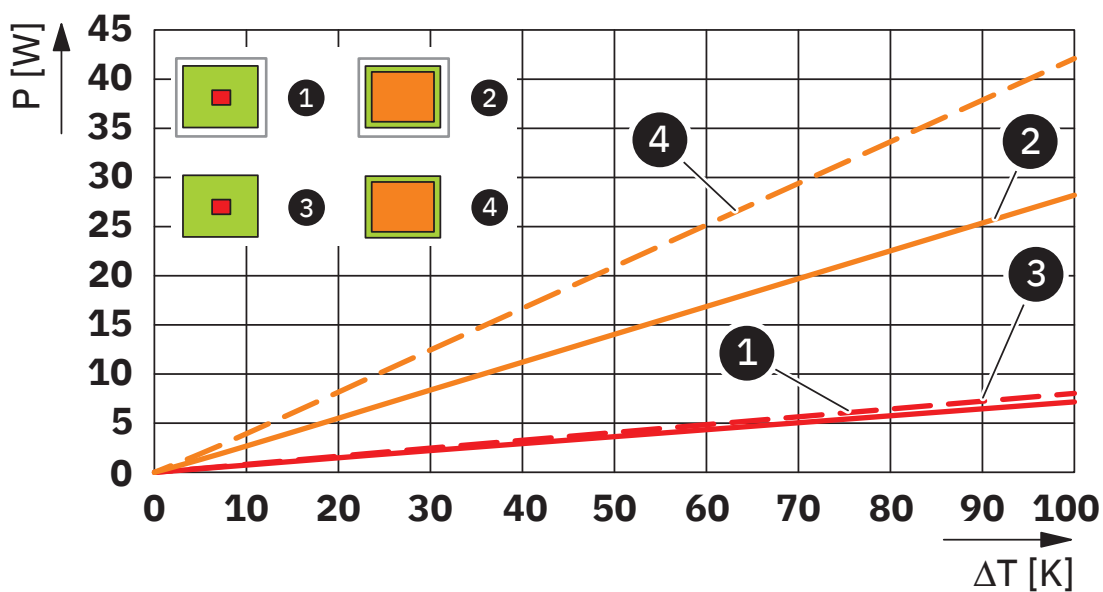
Drawings

Dimensional drawing



Schematic figure for illustrating the item dimensions. The figure is not of the desired product. For further details, refer to the product drawings in the "Downloads" tab.

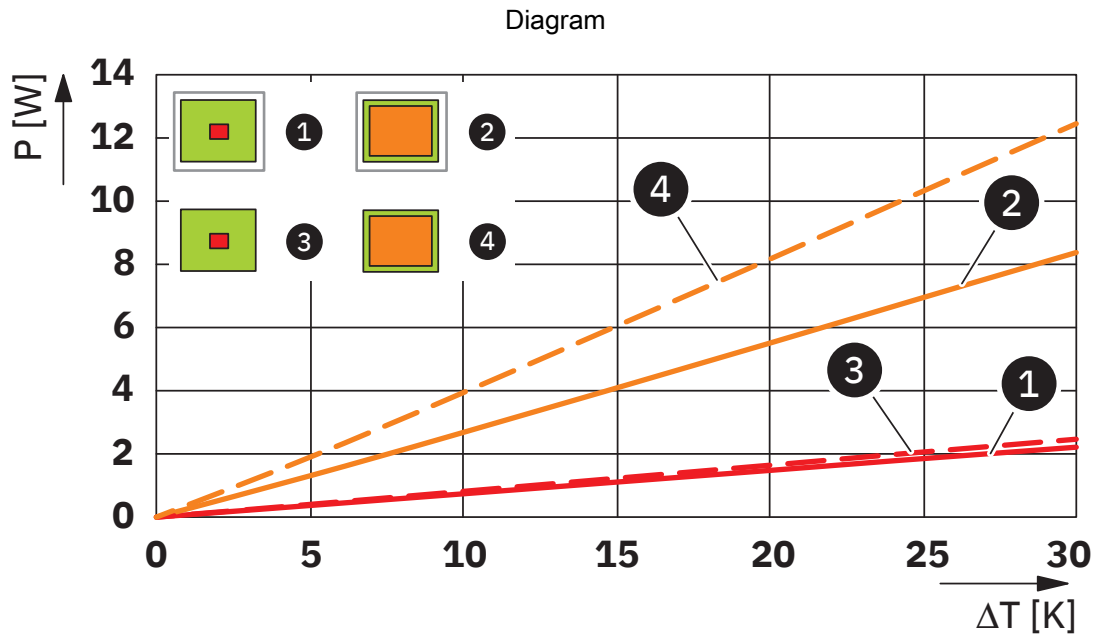
Diagram



Power dissipation diagram for 0 K ... 100 K

2896993

<https://www.phoenixcontact.com/us/products/2896993>



Power dissipation diagram for 0 K ... 30 K

BC 215,6 UT HBUS BK - Mounting base housing



2896993

<https://www.phoenixcontact.com/us/products/2896993>

Classifications

ECLASS

ECLASS-13.0	27190601
ECLASS-15.0	27190601

ETIM

ETIM 9.0	EC002779
----------	----------

UNSPSC

UNSPSC 21.0	31261500
-------------	----------

BC 215,6 UT HBUS BK - Mounting base housing



2896993

<https://www.phoenixcontact.com/us/products/2896993>

Environmental product compliance

EU RoHS

Fulfills EU RoHS substance requirements	Yes, No exemptions
---	--------------------

China RoHS

Environment friendly use period (EFUP)	EFUP-E
	No hazardous substances above the limits

EU REACH SVHC

REACH candidate substance (CAS No.)	No substance above 0.1 wt%
-------------------------------------	----------------------------

EF3.1 Climate Change

CO2e kg	0.717 kg CO2e
---------	---------------

Phoenix Contact 2026 © - all rights reserved
<https://www.phoenixcontact.com>

Phoenix Contact USA
586 Fulling Mill Road
Middletown, PA 17057, United States
(+717) 944-1300
info@phoenixcon.com