

BC 17,8 UT HBUS BK - Mounting base housing



2896241

<https://www.phoenixcontact.com/us/products/2896241>

Please be informed that the data shown in this PDF document is generated from our online catalog. Please find the complete data in the user documentation. Our general terms of use for downloads are valid.

DIN rail housing for use in distribution boards in accordance with DIN 43880, Lower housing part with base latch, width: 17.8 mm, height: 89.7 mm, depth: 20.3 mm, color: black (similar RAL 9005), cross connection: DIN rail bus connector (optional), number of positions cross connector: 16



Your advantages

- Coordinated housing and connection system for faster device development
- Individual online configuration for diverse applications in building automation
- Variety of connection technology
- Can be mounted on the DIN rail or the wall
- With DIN-rail-mountable bus connector and power connector system as an option
- Tool-free mounting
- Available in overall widths from 1 ... 9 width units (17.8 mm ... 161.6 mm)
- Compliant with DIN EN 43880

Commercial data

| | |
|--------------------------------------|---------------|
| Item number | 2896241 |
| Packing unit | 10 pc |
| Minimum order quantity | 10 pc |
| Sales key | AC10 |
| Product key | ACHBAA |
| GTIN | 4046356096690 |
| Weight per piece (including packing) | 12 g |
| Weight per piece (excluding packing) | 13 g |
| Customs tariff number | 84879090 |
| Country of origin | DE |

BC 17,8 UT HBUS BK - Mounting base housing

2896241

<https://www.phoenixcontact.com/us/products/2896241>

Technical data

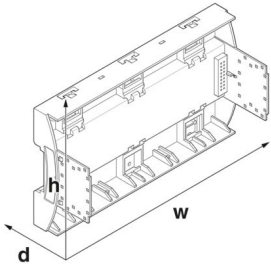
Notes

| | |
|---------------|---|
| Assembly note | Please observe the application note in the download area. |
|---------------|---|

Product properties

| | |
|------------------------------|--|
| Product type | Lower housing part |
| Housing type | DIN rail housing for use in distribution boards in accordance with DIN 43880 |
| Housing type | Modular building installation housings |
| Housing series | BC |
| Product family | BC 17,8.. |
| Max. number of positions | 0) |
| Ventilation openings present | no |

Dimensions

| | |
|---------------------|--|
| Dimensional drawing |  |
| Width | 17.8 mm |
| Height | 89.7 mm |
| Depth | 20.3 mm |
| Horizontal pitch | 1 Div. |

PCB design

| | |
|---------------|-------------------|
| PCB thickness | 1.4 mm ... 1.8 mm |
|---------------|-------------------|

Material specifications

| | |
|--|------------------|
| Color (Lower housing part) | black (RAL 9005) |
| Material Lower housing part | PC |
| Material Base latch | POM |
| Flammability rating according to UL 94 | V0 |
| CTI according to IEC 60112 | < 400 |
| Surface characteristics | untreated |

Environmental and real-life conditions

Power dissipation single housing for 20 °C

| | |
|---------------------|-------|
| Ambient temperature | 20 °C |
| Reduction factor | 1 |

BC 17,8 UT HBUS BK - Mounting base housing



2896241

<https://www.phoenixcontact.com/us/products/2896241>

| | |
|-------------------|----------|
| Mounting position | vertical |
| Power dissipation | 2.95 W |

Power dissipation single housing for 30 °C

| | |
|---------------------|----------|
| Ambient temperature | 30 °C |
| Reduction factor | 0.84 |
| Mounting position | vertical |
| Power dissipation | 2.48 W |

Power dissipation single housing for 40 °C

| | |
|---------------------|----------|
| Ambient temperature | 40 °C |
| Reduction factor | 0.72 |
| Mounting position | vertical |
| Power dissipation | 2.12 W |

Power dissipation single housing for 50 °C

| | |
|---------------------|----------|
| Ambient temperature | 50 °C |
| Reduction factor | 0.6 |
| Mounting position | vertical |
| Power dissipation | 1.77 W |

Power dissipation single housing for 60 °C

| | |
|---------------------|----------|
| Ambient temperature | 60 °C |
| Reduction factor | 0.48 |
| Mounting position | vertical |
| Power dissipation | 1.42 W |

Power dissipation single housing for 70 °C

| | |
|---------------------|----------|
| Ambient temperature | 70 °C |
| Reduction factor | 0.38 |
| Mounting position | vertical |
| Power dissipation | 1.12 W |

Vibration test

| | |
|------------------------|-----------------------------|
| Specification | IEC 60068-2-6:2007-12 |
| Frequency | 10 - 150 - 10 Hz |
| Sweep speed | 1 octave/min |
| Amplitude | 0.15 mm (10 Hz ... 58.1 Hz) |
| Acceleration | 2g (58.1 Hz ... 150 Hz) |
| Test duration per axis | 2.5 h |
| Test directions | X-, Y- and Z-axis |

Glow-wire test

| | |
|------------------|------------------------|
| Specification | IEC 60695-2-11:2014-02 |
| Temperature | 850 °C |
| Time of exposure | 30 s |

Mechanical strength / tumbling barrel

BC 17,8 UT HBUS BK - Mounting base housing



2896241

<https://www.phoenixcontact.com/us/products/2896241>

| | |
|----------------|------------------------|
| Specification | IEC 60068-2-31:2008-05 |
| Height of fall | 50 cm |
| Frequency | 50 |

Shocks

| | |
|--------------------------------|-----------------------------------|
| Specification | IEC 60068-2-27:2008-02 |
| Pulse shape | Half-sine |
| Acceleration | 15g |
| Shock duration | 11 ms |
| Number of shocks per direction | 3 |
| Test directions | X-, Y- and Z-axis (pos. and neg.) |

Test for substances that would hinder coating with paint or varnish

| | |
|---------------|--------------------|
| Specification | VDMA 24364:2018-05 |
| Result | Test passed |

Degree of protection (IP code)

| | |
|---------------------------------------|---|
| Specification | IEC 60529:1989-11 + AMD 1:1999-11 + AMD 2:2013-08 |
| Result, degree of protection, IP code | IP20 |

Ambient conditions

| | |
|---|--|
| Max. IP code to attain | IP20 |
| Ambient temperature (operation) | -40 °C ... 105 °C (depending on power dissipation) |
| Ambient temperature (storage/transport) | -40 °C ... 70 °C |
| Ambient temperature (assembly) | -5 °C ... 100 °C |
| Relative humidity (storage/transport) | 95 % |

PCB data

| | |
|-----------------------|-------------------|
| Number of PCB holders | 2 |
| Type of PCB mount | Latching |
| Thickness of the PCB | 1.4 mm ... 1.8 mm |

Mounting

| | |
|---------------|----------------------------------|
| Mounting type | DIN rail mounting/panel mounting |
|---------------|----------------------------------|

Packaging specifications

| | |
|----------------------|---------------------|
| Type of packaging | packed in cardboard |
| Outer packaging type | Carton |

BC 17,8 UT HBUS BK - Mounting base housing

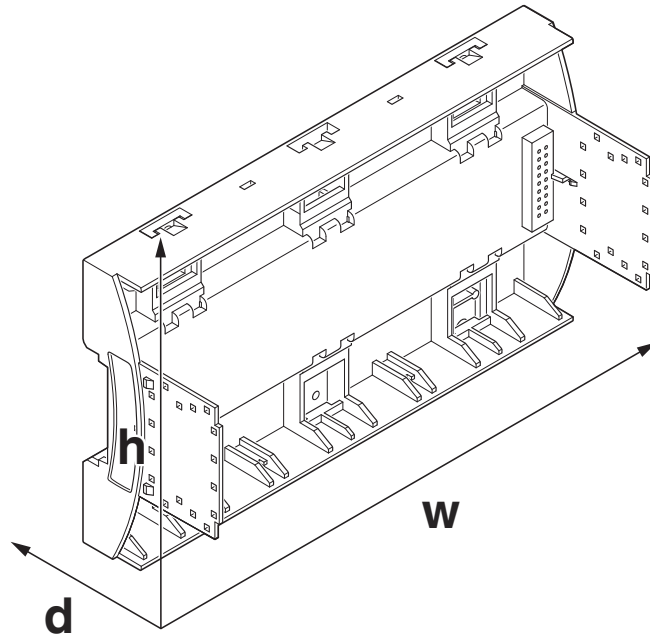
2896241

<https://www.phoenixcontact.com/us/products/2896241>



Drawings

Dimensional drawing



Schematic figure for illustrating the item dimensions. The figure is not of the desired product. For further details, refer to the product drawings in the "Downloads" tab.

BC 17,8 UT HBUS BK - Mounting base housing



2896241

<https://www.phoenixcontact.com/us/products/2896241>

Approvals

To download certificates, visit the product detail page: <https://www.phoenixcontact.com/us/products/2896241>



UL Recognized

Approval ID: E240868

BC 17,8 UT HBUS BK - Mounting base housing



2896241

<https://www.phoenixcontact.com/us/products/2896241>

Classifications

ECLASS

| | |
|-------------|----------|
| ECLASS-13.0 | 27190601 |
| ECLASS-15.0 | 27190601 |

ETIM

| | |
|-----------|----------|
| ETIM 10.0 | EC002779 |
|-----------|----------|

UNSPSC

| | |
|-------------|----------|
| UNSPSC 21.0 | 31261500 |
|-------------|----------|

BC 17,8 UT HBUS BK - Mounting base housing



2896241

<https://www.phoenixcontact.com/us/products/2896241>

Environmental product compliance

EU RoHS

| | |
|---|--------------------|
| Fulfills EU RoHS substance requirements | Yes, No exemptions |
|---|--------------------|

China RoHS

| | |
|--|--|
| Environment friendly use period (EFUP) | EFUP-E |
| | No hazardous substances above the limits |

EU REACH SVHC

| | |
|-------------------------------------|----------------------------|
| REACH candidate substance (CAS No.) | No substance above 0.1 wt% |
|-------------------------------------|----------------------------|

Phoenix Contact 2026 © - all rights reserved
<https://www.phoenixcontact.com>

Phoenix Contact USA
586 Fulling Mill Road
Middletown, PA 17057, United States
(+717) 944-1300
info@phoenixcon.com