

# BC 17,8 OT MKDSO KMGY - Upper housing part



2896092

<https://www.phoenixcontact.com/us/products/2896092>

Please be informed that the data shown in this PDF document is generated from our online catalog. Please find the complete data in the user documentation. Our general terms of use for downloads are valid.



DIN rail housing for use in distribution boards in accordance with DIN 43880, Upper housing part for PCB terminal blocks with screw connection, width: 17.8 mm, height: 89.7 mm, depth: 53.4 mm, color: light gray (similar RAL 7035)

## Your advantages

- Coordinated housing and connection system for faster device development
- Individual online configuration for diverse applications in building automation
- Variety of connection technology
- Can be mounted on the DIN rail or the wall
- With DIN-rail-mountable bus connector and power connector system as an option
- Tool-free mounting
- Available in overall widths from 1 ... 9 width units (17.8 mm ... 161.6 mm)
- Compliant with DIN EN 43880

## Commercial data

Item number	2896092
Packing unit	10 pc
Minimum order quantity	10 pc
Sales key	AC10
Product key	ACHBAB
GTIN	4046356096515
Weight per piece (including packing)	14.21 g
Weight per piece (excluding packing)	10.35 g
Customs tariff number	84879090
Country of origin	DE

# BC 17,8 OT MKDSO KMGY - Upper housing part

2896092

<https://www.phoenixcontact.com/us/products/2896092>

## Technical data

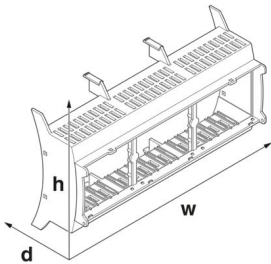
### Notes

Assembly note	Please observe the application note in the download area.
---------------	---

### Product properties

Product type	Upper housing part
Housing type	DIN rail housing for use in distribution boards in accordance with DIN 43880
Housing type	Modular building installation housings
Housing series	BC
Product family	BC 17,8..
Max. number of positions	12 (pitch: 5 mm)
Ventilation openings present	no
Anzahl der Etagen Housing (Makro)	2 (Both sides)

### Dimensions

Dimensional drawing	
Width	17.8 mm
Height	89.7 mm
Depth	53.4 mm
Horizontal pitch	1 Div.

### PCB design

PCB thickness	1.4 mm ... 1.5 mm
---------------	-------------------

### Material specifications

Color (Upper housing part)	light gray (RAL 7035)
Material Upper housing part	PC
Flammability rating according to UL 94	V0

### Environmental and real-life conditions

#### Power dissipation single housing for 20 °C

Ambient temperature	20 °C
Reduction factor	1
Mounting position	vertical
Power dissipation	2.95 W

# BC 17,8 OT MKDSO KMGY - Upper housing part



2896092

<https://www.phoenixcontact.com/us/products/2896092>

## Power dissipation single housing for 30 °C

Ambient temperature	30 °C
Reduction factor	0.84
Mounting position	vertical
Power dissipation	2.48 W

## Power dissipation single housing for 40 °C

Ambient temperature	40 °C
Reduction factor	0.72
Mounting position	vertical
Power dissipation	2.12 W

## Power dissipation single housing for 50 °C

Ambient temperature	50 °C
Reduction factor	0.6
Mounting position	vertical
Power dissipation	1.77 W

## Power dissipation single housing for 60 °C

Ambient temperature	60 °C
Reduction factor	0.48
Mounting position	vertical
Power dissipation	1.42 W

## Power dissipation single housing for 70 °C

Ambient temperature	70 °C
Reduction factor	0.38
Mounting position	vertical
Power dissipation	1.12 W

## Vibration test

Specification	IEC 60068-2-6:2007-12
Frequency	10 - 150 - 10 Hz
Sweep speed	1 octave/min
Amplitude	0.15 mm (10 Hz ... 58.1 Hz)
Acceleration	2g (58.1 Hz ... 150 Hz)
Test duration per axis	2.5 h
Test directions	X-, Y- and Z-axis

## Glow-wire test

Specification	IEC 60695-2-11:2014-02
Temperature	850 °C
Time of exposure	30 s

## Mechanical strength / tumbling barrel

Specification	IEC 60068-2-31:2008-05
Height of fall	50 cm

# BC 17,8 OT MKDSO KMGY - Upper housing part



2896092

<https://www.phoenixcontact.com/us/products/2896092>

Frequency	50
-----------	----

## Shocks

Specification	IEC 60068-2-27:2008-02
Pulse shape	Half-sine
Acceleration	15g
Shock duration	11 ms
Number of shocks per direction	3
Test directions	X-, Y- and Z-axis (pos. and neg.)

## Degree of protection (IP code)

Specification	IEC 60529:1989-11 + AMD 1:1999-11 + AMD 2:2013-08
---------------	---

## Ambient conditions

Max. IP code to attain	IP20
Ambient temperature (operation)	-40 °C ... 105 °C (depending on power dissipation)
Ambient temperature (storage/transport)	-40 °C ... 70 °C
Ambient temperature (assembly)	-5 °C ... 100 °C
Relative humidity (storage/transport)	95 %

## PCB data

Number of PCB holders	2
Type of PCB mount	Latching
Thickness of the PCB	1.4 mm ... 1.5 mm

## Mounting

Mounting type	Snap in
---------------	---------

## Packaging specifications

Type of packaging	packed in cardboard
Outer packaging type	Carton

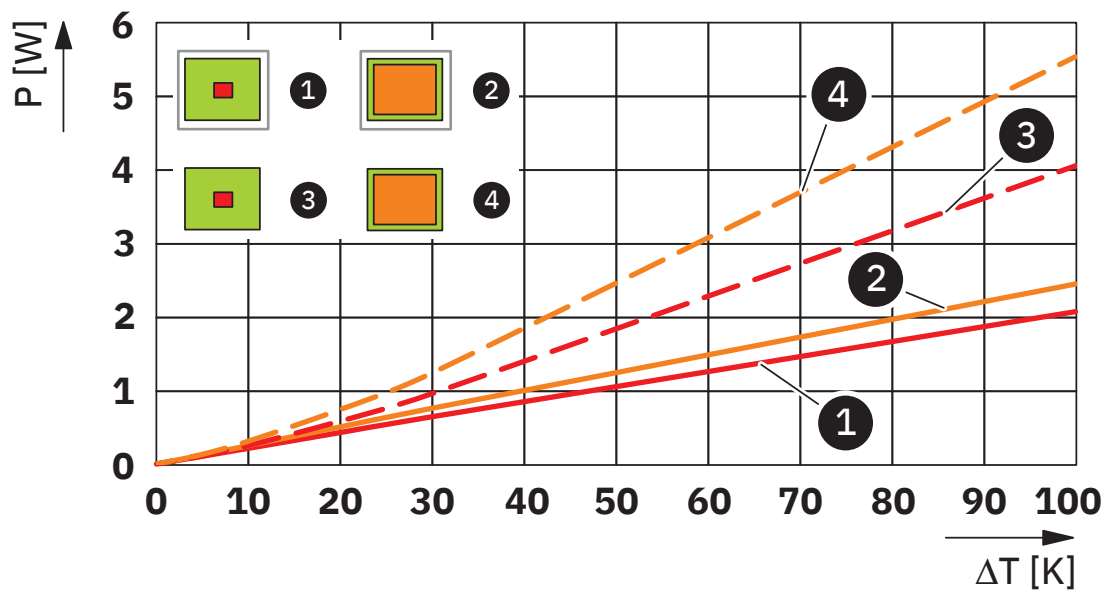
## Drawings

Dimensional drawing

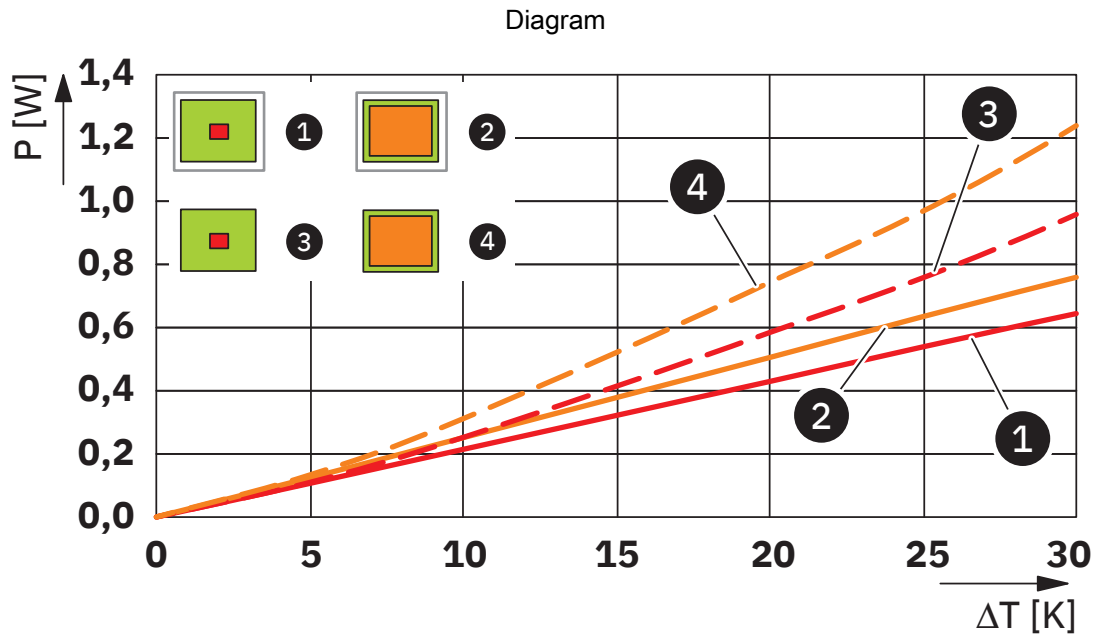


Schematic figure for illustrating the item dimensions. The figure is not of the desired product. For further details, refer to the product drawings in the "Downloads" tab.

Diagram



Power dissipation diagram for 0 K ... 100 K



Power dissipation diagram for 0 K ... 30 K

# BC 17,8 OT MKDSO KMGY - Upper housing part



2896092

<https://www.phoenixcontact.com/us/products/2896092>

## Approvals

To download certificates, visit the product detail page: <https://www.phoenixcontact.com/us/products/2896092>



**UL Recognized**

Approval ID: E240868

# BC 17,8 OT MKDSO KMGY - Upper housing part



2896092

<https://www.phoenixcontact.com/us/products/2896092>

## Classifications

### ECLASS

ECLASS-13.0	27190603
ECLASS-15.0	27190603

### ETIM

ETIM 10.0	EC002779
-----------	----------

### UNSPSC

UNSPSC 21.0	31261500
-------------	----------

# BC 17,8 OT MKDSO KMGY - Upper housing part



2896092

<https://www.phoenixcontact.com/us/products/2896092>

## Environmental product compliance

### EU RoHS

Fulfills EU RoHS substance requirements	Yes, No exemptions
---	--------------------

### China RoHS

Environment friendly use period (EFUP)	EFUP-E
	No hazardous substances above the limits

### EU REACH SVHC

REACH candidate substance (CAS No.)	No substance above 0.1 wt%
-------------------------------------	----------------------------

### EF3.1 Climate Change

CO2e kg	0.048 kg CO2e
---------	---------------

Phoenix Contact 2026 © - all rights reserved  
<https://www.phoenixcontact.com>

Phoenix Contact USA  
586 Fulling Mill Road  
Middletown, PA 17057, United States  
(+717) 944-1300  
[info@phoenixcon.com](mailto:info@phoenixcon.com)