

# FL SWITCH 3008 - Industrial Ethernet Switch



2891031

<https://www.phoenixcontact.com/us/products/2891031>

Please be informed that the data shown in this PDF document is generated from our online catalog. Please find the complete data in the user documentation. Our general terms of use for downloads are valid.



Managed Ethernet switch with eight RJ45 ports at 10/100 Mbps and operating temperature of -10°C ... +60°C

## Product description

FL SWITCH 3000 managed industrial Ethernet switches combine extensive network performance and security features with complete IEEE redundancy (STP/RSTP/MST) and 15 ms recovery time extended ring redundancy. Unique web customization provides a simplified user interface for today's applications and scalable functionality for future needs. A comprehensive mix of fiber optic and copper port connections meets a wide range of applications.

## Your advantages

- RJ45 ports support a transmission speed of 10/100 Mbps
- Fiber-optic ports support 100 Mbps
- -40 to 75°C and -10 to 60°C ambient temperature versions
- Extensive web diagnostics with configurable LED and remote alarm contacts
- Security options with cable locking
- Secure web-based and SNMP-based management
- Unique cleanup function hides unused configuration pages, reducing complexity, maintenance and startup times
- Auto negotiation and autocrossing detection simplifies installation and setup

## Commercial data

|                                      |               |
|--------------------------------------|---------------|
| Item number                          | 2891031       |
| Packing unit                         | 1 pc          |
| Minimum order quantity               | 1 pc          |
| Sales key                            | DN17          |
| Product key                          | DNN125        |
| GTIN                                 | 4046356659123 |
| Weight per piece (including packing) | 836 g         |
| Weight per piece (excluding packing) | 622 g         |
| Customs tariff number                | 85176200      |
| Country of origin                    | TW            |

# FL SWITCH 3008 - Industrial Ethernet Switch

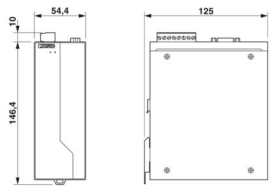


2891031

<https://www.phoenixcontact.com/us/products/2891031>

## Technical data

### Dimensions

|                     |  |
|---------------------|--|
| Dimensional drawing |  |
| Width               | 54.4 mm  |
| Height              | 146.4 mm   |
| Depth               | 125 mm   |

### Notes

#### Note on application

|                     |                         |
|---------------------|-------------------------|
| Note on application | Only for industrial use |
|---------------------|-------------------------|

### Material specifications

|                  |                            |
|------------------|----------------------------|
| Color (Housing)  | white aluminium (RAL 9006) |
| Housing material | Aluminum                   |

### Mounting

|               |                   |
|---------------|-------------------|
| Mounting type | DIN rail mounting |
|---------------|-------------------|

### Interfaces

#### Ethernet (RJ45)

|                               |                                   |
|-------------------------------|-----------------------------------|
| Connection method             | RJ45                              |
| Note on the connection method | Auto negotiation and autocrossing |
| Transmission speed            | 10/100 Mbps                       |
| Transmission physics          | Ethernet in RJ45 twisted pair     |
| Transmission length           | 100 m                             |
| No. of channels               | 8 (RJ45 ports)                    |

### Product properties

|                |   |
|----------------|---|
| Product type   | Switch  |
| Product family | Managed Switch 3000   |
| Type           | Block design  |
| MTTF           | 49.8 Years (MIL-HDBK-217F standard, temperature 25°C, operating cycle 100%) |

#### Insulation characteristics

|                  |                           |
|------------------|---------------------------|
| Protection class | III (VDE 0106, IEC 60536) |
|------------------|---------------------------|

#### Switch functions

# FL SWITCH 3008 - Industrial Ethernet Switch



2891031

<https://www.phoenixcontact.com/us/products/2891031>

|                                  |  |
|----------------------------------|--|
| Basic functions                  | Store and forward switch, Extended Ring and IEEE redundancy, Multicast control, IGMP snooping, trunking, Port and Tagging VLANs, Port and IEEE 802.1x security, SNMP V3 and Https security, SNTP, web customization, user accounts |
| Signal contact control voltage   | 24 V DC  |
| Signal contact control current   | 100 mA   |
| Redundancy                       | ERR (Extended ring redundancy)   |
| Status and diagnostic indicators | LEDs: $U_{S1}$ , $U_{S2}$ (redundant voltage supply), link and activity per port   |

## Security functions

|                 |  |
|-----------------|--|
| Basic functions | Store and forward switch, Extended Ring and IEEE redundancy, Multicast control, IGMP snooping, trunking, Port and Tagging VLANs, Port and IEEE 802.1x security, SNMP V3 and Https security, SNTP, web customization, user accounts |
|-----------------|--|

## Electrical properties

|   |   |
|---|---|
| Local diagnostics                               | US1, US2 Supply voltage Green LED               |
|   | LNK/ACT Link status/data transmission Green LED |
|   | 100 Data transmission speed LED red             |
| Maximum power dissipation for nominal condition | 5.04 W  |
| Test section                                    | Supply voltage/functional ground 500 V 1 min    |
| Transmission medium                             | Copper  |

## Supply

|                             |  |
|-----------------------------|--|
| Supply voltage (DC)         | 24 V DC (redundant)                                      |
| Supply voltage range        | 12 V DC ... 48 V DC                                      |
| Inrush current              | 4.96 A (3.2 ms)  |
| Residual ripple             | 3.6 V <sub>PP</sub> (within the permitted voltage range) |
| Typical current consumption | 206 mA (at $U_S = 24$ V DC)                              |

## Function

|                                |         |
|--------------------------------|---------|
| Signal contact control voltage | 24 V DC |
| Signal contact control current | 100 mA  |

## Connection data

### Power supply

|                                   |   |
|-----------------------------------|---|
| Connection method                 | Screw connection                            |
| pluggable                         | yes   |
| Conductor cross-section, rigid    | 0.2 mm <sup>2</sup> ... 2.5 mm <sup>2</sup> |
| Conductor cross-section, flexible | 0.2 mm <sup>2</sup> ... 2.5 mm <sup>2</sup> |
| Conductor cross-section AWG       | 24 ... 12                                   |
| Stripping length                  | 7 mm  |

## Environmental and real-life conditions

### Ambient conditions

|                      |      |
|----------------------|------|
| Degree of protection | IP20 |
|----------------------|------|

# FL SWITCH 3008 - Industrial Ethernet Switch



2891031

<https://www.phoenixcontact.com/us/products/2891031>

|  |  |
|--|--|
| Ambient temperature (operation)          | -10 °C ... 60 °C                                       |
| Ambient temperature (storage/transport)  | -20 °C ... 85 °C                                       |
| Permissible humidity (operation)         | 5 % ... 95 % (non-condensing)                          |
| Permissible humidity (storage/transport) | 5 % ... 95 % (non-condensing)                          |
| Air pressure (operation)                 | 57 kPa ... 108 kPa (up to 4850 m above mean sea level) |
| Air pressure (storage/transport)         | 57 kPa ... 108 kPa (up to 4850 m above mean sea level) |

## EMC data

|                                 |  |
|---------------------------------|--|
| Conformance with EMC directives | IEC 61000-6-2 IEC 61000-4-2 (ESD) Criterion B                  |
|                                 | IEC 61000-4-3 (immunity to radiated interference) Criterion A  |
|                                 | IEC 61000-4-4 (burst) Criterion A                              |
|                                 | IEC 61000-4-5 (surge) Criterion B                              |
|                                 | IEC 61000-4-6 (immunity to conducted interference) Criterion A |
|                                 | IEC 61000-4-8 (immunity to magnetic fields) Criterion A        |
|                                 | EN 55022 (emitted interference) Class A                        |
| Noise immunity                  | NEMA TS-2  |
|                                 | EN 61000-6-2:2005  |

## Noise emission

|                       |              |
|-----------------------|--------------|
| Standards/regulations | EN 61000-6-4 |
|-----------------------|--------------|

## System properties

### Functionality

|                 |  |
|-----------------|--|
| Basic functions | Store and forward switch, Extended Ring and IEEE redundancy, Multicast control, IGMP snooping, trunking, Port and Tagging VLANs, Port and IEEE 802.1x security, SNMP V3 and Https security, SNTP, web customization, user accounts |
|-----------------|--|

## Signaling

|                |  |
|----------------|--|
| Status display | LEDs: U <sub>S1</sub> , U <sub>S2</sub> (redundant voltage supply), link and activity per port |
|----------------|--|

# FL SWITCH 3008 - Industrial Ethernet Switch

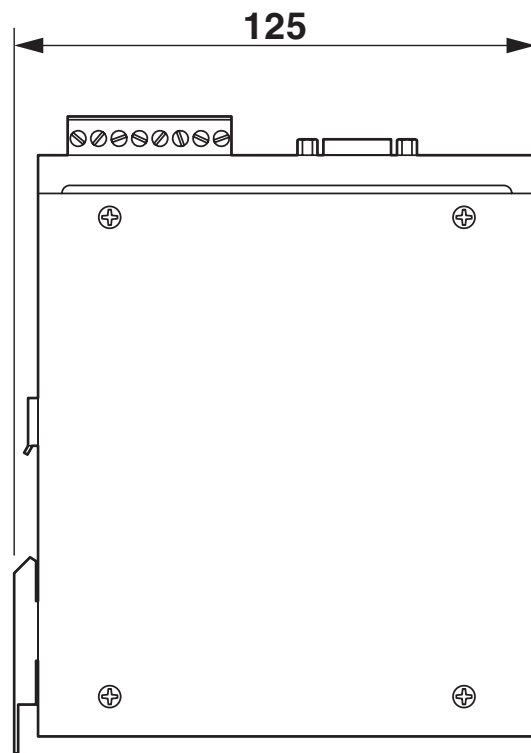
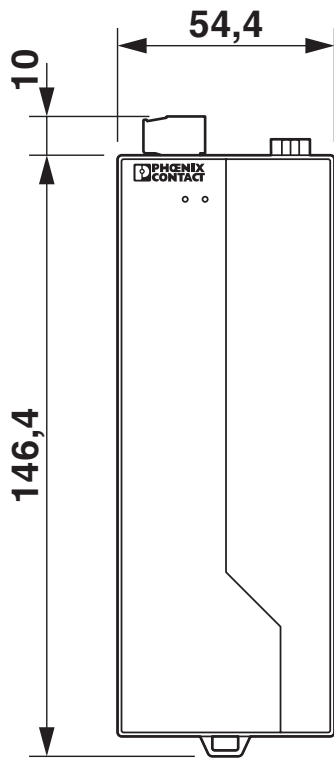


2891031

<https://www.phoenixcontact.com/us/products/2891031>

## Drawings

Dimensional drawing



# FL SWITCH 3008 - Industrial Ethernet Switch



2891031


<https://www.phoenixcontact.com/us/products/2891031>


## Approvals


To download certificates, visit the product detail page: <https://www.phoenixcontact.com/us/products/2891031>

 **UL Listed**  
Approval ID: E140324

 **cUL Listed**  
Approval ID: E140324

 **cUL Listed**  
Approval ID: File E 360692

 **UL Listed**  
Approval ID: File E 360692

 **UL Listed**  
Approval ID: E196811

 **cUL Listed**  
Approval ID: E196811

# FL SWITCH 3008 - Industrial Ethernet Switch



2891031

<https://www.phoenixcontact.com/us/products/2891031>

## Classifications

### ECLASS

|             |          |
|-------------|----------|
| ECLASS-13.0 | 19170401 |
| ECLASS-15.0 | 19170401 |

### ETIM

|           |          |
|-----------|----------|
| ETIM 10.0 | EC000734 |
|-----------|----------|

### UNSPSC

|             |          |
|-------------|----------|
| UNSPSC 21.0 | 43222600 |
|-------------|----------|

# FL SWITCH 3008 - Industrial Ethernet Switch



2891031

<https://www.phoenixcontact.com/us/products/2891031>

## Environmental product compliance

### EU RoHS

|   |                    |
|---|--------------------|
| Fulfills EU RoHS substance requirements | Yes                |
| Exemption                               | 6(c), 7(a), 7(c)-I |

### China RoHS

|  |   |
|--|---|
| Environment friendly use period (EFUP) | EFUP-10   |
|  | An article-related China RoHS declaration table can be found in the download area for the respective article under "Manufacturer declaration". For all articles with EFUP-E, no China RoHS declaration table issued and required. |

### EU REACH SVHC

|                                     |                                      |
|-------------------------------------|--------------------------------------|
| REACH candidate substance (CAS No.) | Lead(CAS: 7439-92-1)                 |
| SCIP                                | 66c2da69-38eb-4517-9088-7494145fe2d7 |

Phoenix Contact 2026 © - all rights reserved

<https://www.phoenixcontact.com>

Phoenix Contact USA  
586 Fulling Mill Road  
Middletown, PA 17057, United States  
(+717) 944-1300  
[info@phoenixcon.com](mailto:info@phoenixcon.com)