

# PSR-TBUS - DIN rail bus connector



2890425

<https://www.phoenixcontact.com/us/products/2890425>

Please be informed that the data shown in this PDF document is generated from our online catalog. Please find the complete data in the user documentation. Our general terms of use for downloads are valid.

DIN rail bus connector for safety switching devices, for supplying/controlling/monitoring (depending on the module)



## Commercial data

Item number	2890425
Packing unit	50 pc
Minimum order quantity	1 pc
Sales key	AC08
Product key	ACHACA
GTIN	4046356091268
Weight per piece (including packing)	5.365 g
Weight per piece (excluding packing)	4.82 g
Customs tariff number	85366990
Country of origin	DE

# PSR-TBUS - DIN rail bus connector



2890425

<https://www.phoenixcontact.com/us/products/2890425>

## Technical data

### Product properties

Product type	DIN rail bus connector
--------------	------------------------

### Material specifications

Color (Housing)	yellow (RAL 1018)
Housing material	PBT

### Dimensions

Width	22.5 mm
-------	---------

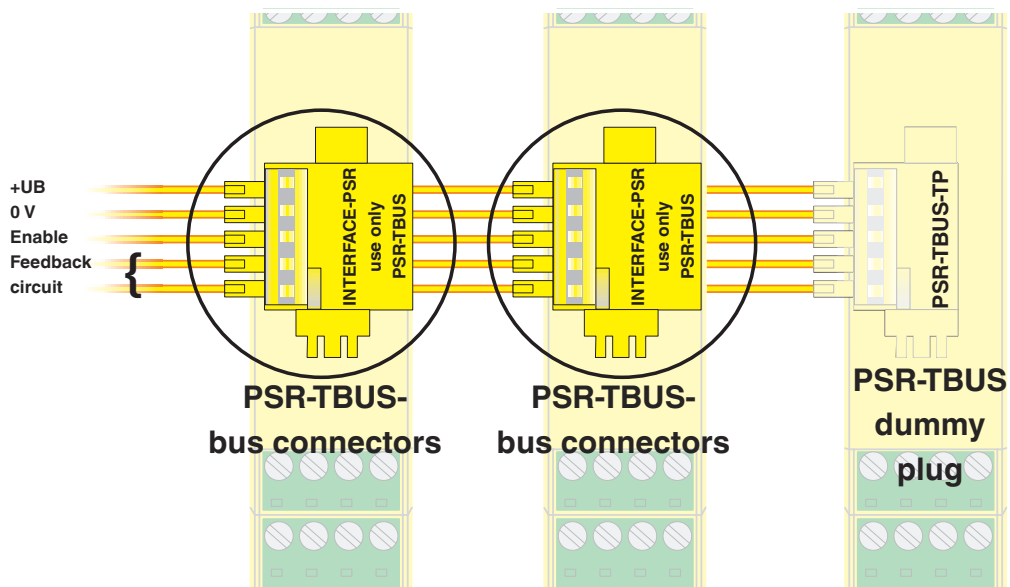
# PSR-TBUS - DIN rail bus connector

2890425

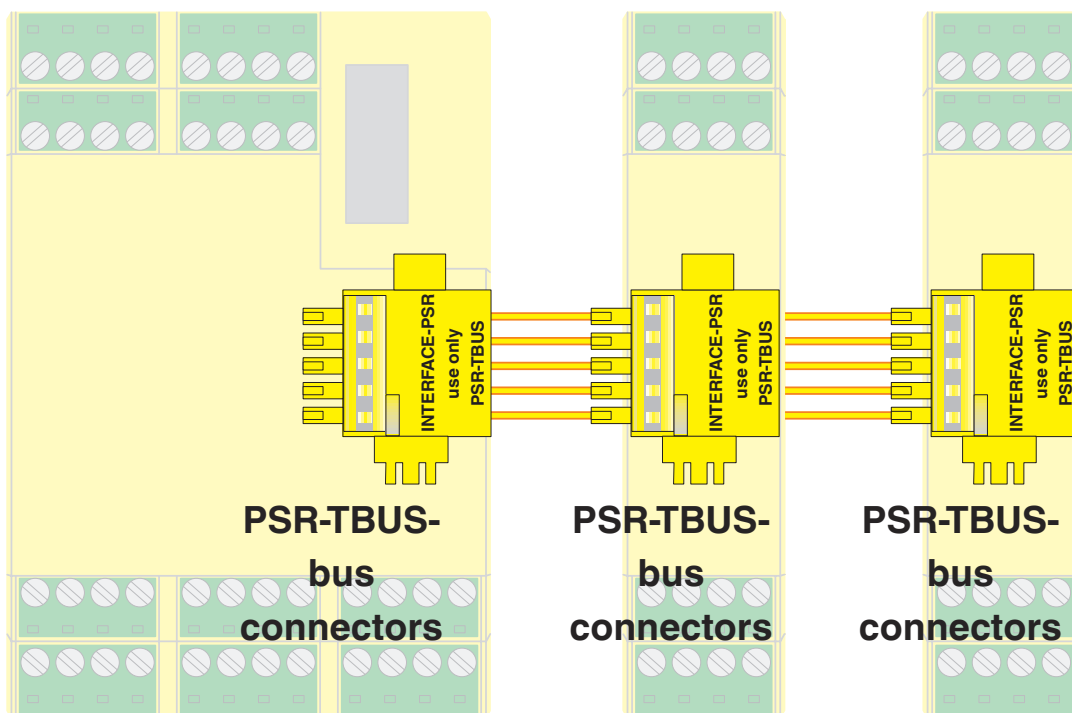
<https://www.phoenixcontact.com/us/products/2890425>

## Drawings

Connection diagram



Connection diagram



PSR-TBUS with TRISAFE (PSR-TBUS-TP blind plug may **not** be used)

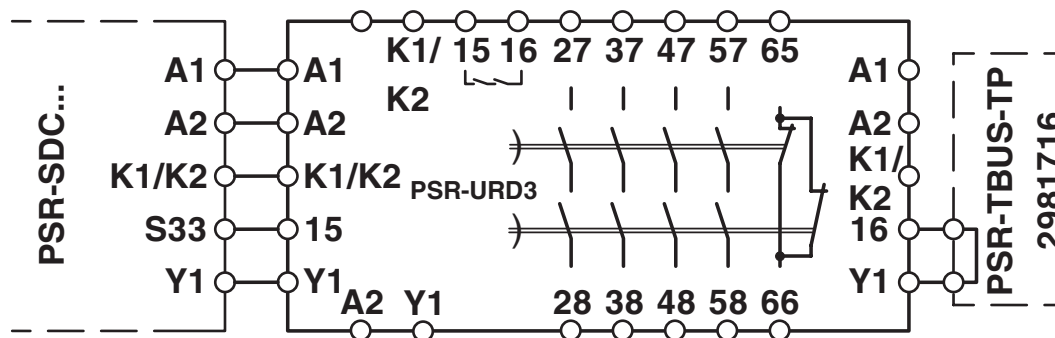
# PSR-TBUS - DIN rail bus connector



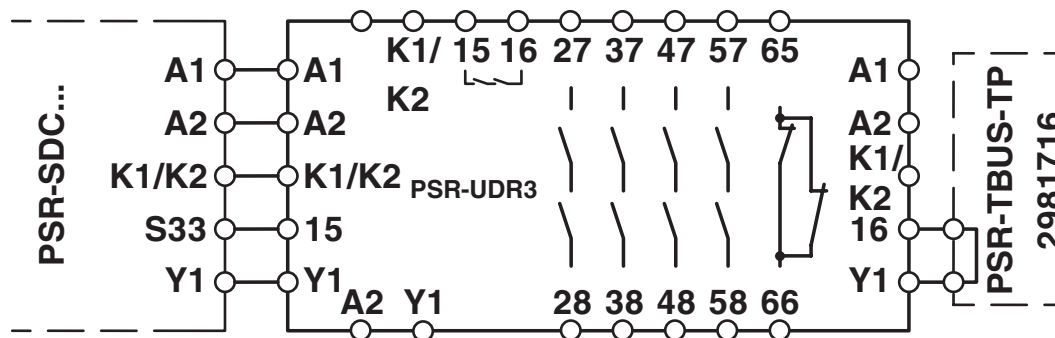
2890425

<https://www.phoenixcontact.com/us/products/2890425>

Circuit diagram



Circuit diagram



# PSR-TBUS - DIN rail bus connector



2890425

<https://www.phoenixcontact.com/us/products/2890425>

## Classifications

### ECLASS

ECLASS-13.0	27240692
ECLASS-15.0	27240692

### ETIM

ETIM 10.0	EC002584
-----------	----------

### UNSPSC

UNSPSC 21.0	39121400
-------------	----------

# PSR-TBUS - DIN rail bus connector



2890425

<https://www.phoenixcontact.com/us/products/2890425>

## Environmental product compliance

### EU RoHS

Fulfills EU RoHS substance requirements	Yes, No exemptions
---	--------------------

### China RoHS

Environment friendly use period (EFUP)	EFUP-E
	No hazardous substances above the limits

### EU REACH SVHC

REACH candidate substance (CAS No.)	No substance above 0.1 wt%
-------------------------------------	----------------------------

Phoenix Contact 2026 © - all rights reserved  
<https://www.phoenixcontact.com>

Phoenix Contact USA  
586 Fulling Mill Road  
Middletown, PA 17057, United States  
(+717) 944-1300  
[info@phoenixcon.com](mailto:info@phoenixcon.com)