

EG 22,5-G/ABS BU - Mounting base housing

2890409

<https://www.phoenixcontact.com/us/products/2890409>

Please be informed that the data shown in this PDF document is generated from our online catalog. Please find the complete data in the user documentation. Our general terms of use for downloads are valid.



Component housing, Lower housing part, with snap-on foot, without vents, width: 22.5 mm, height: 75 mm, color: blue (similar RAL 5015), cross connection: without bus connector, number of positions cross connector: not relevant

The figure shows the fully mounted version of the electronic housing, in green

Your advantages

- Tool-free mounting

Commercial data

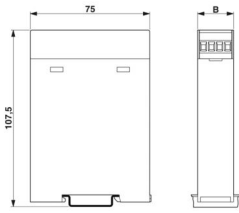
| | |
|--------------------------------------|--------------------------------|
| Item number | 2890409 |
| Packing unit | 10 pc |
| Minimum order quantity | 500 pc |
| Note | Made to order (non-returnable) |
| Product key | ACHCGA |
| GTIN | 4046356084086 |
| Weight per piece (including packing) | 36.92 g |
| Weight per piece (excluding packing) | 26.866 g |
| Country of origin | PL |

Technical data

Product properties

| | |
|------------------------------|---------------------------------------------------------------------------|
| Product type | Lower housing part |
| Housing type | Component housing |
| Housing series | EG |
| Product family | EG...G |
| Type | Lower housing part closed, housing cover necessary to complete the module |
| Number of positions | 8 |
| Max. number of positions | 0) |
| Ventilation openings present | no |

Dimensions

| | |
|---------------------|-------------------------------------------------------------------------------------|
| Dimensional drawing |  |
| Width | 22.5 mm |
| Height | 75 mm |

PCB design

| | |
|---------------|-------------------|
| PCB thickness | 1.4 mm ... 1.8 mm |
|---------------|-------------------|

Material specifications

| | |
|----------------------------------------|-----------------|
| Color (Lower housing part) | blue (RAL 5015) |
| Material | ABS |
| Flammability rating according to UL 94 | HB |

Environmental and real-life conditions

Ambient conditions

| | |
|-----------------------------------------|---------------------------------------------------|
| Max. IP code to attain | IP20 |
| Ambient temperature (operation) | -40 °C ... 80 °C (depending on power dissipation) |
| Ambient temperature (storage/transport) | -40 °C ... 55 °C |
| Ambient temperature (assembly) | -5 °C ... 80 °C |

PCB data

| | |
|----------------------|-------------------|
| Thickness of the PCB | 1.4 mm ... 1.8 mm |
|----------------------|-------------------|

Mounting

| | |
|---------------|-------------------|
| Mounting type | DIN rail mounting |
|---------------|-------------------|

EG 22,5-G/ABS BU - Mounting base housing

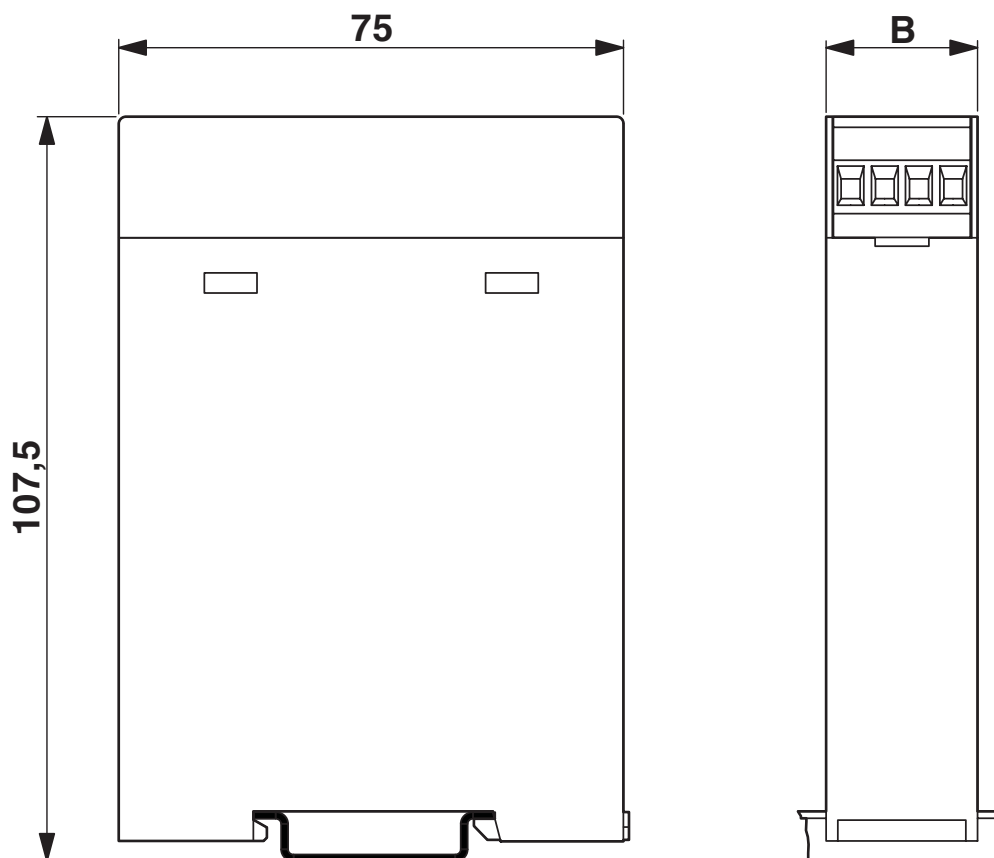
2890409

<https://www.phoenixcontact.com/us/products/2890409>



Drawings

Dimensional drawing



EG 22,5-G/ABS BU - Mounting base housing



2890409

<https://www.phoenixcontact.com/us/products/2890409>

Approvals

To download certificates, visit the product detail page: <https://www.phoenixcontact.com/us/products/2890409>



UL Recognized

Approval ID: E240868

EG 22,5-G/ABS BU - Mounting base housing



2890409

<https://www.phoenixcontact.com/us/products/2890409>

Classifications

ECLASS

| | |
|-------------|----------|
| ECLASS-13.0 | 27190601 |
| ECLASS-15.0 | 27190601 |

ETIM

| | |
|-----------|----------|
| ETIM 10.0 | EC002779 |
|-----------|----------|

UNSPSC

| | |
|-------------|----------|
| UNSPSC 21.0 | 31261500 |
|-------------|----------|

EG 22,5-G/ABS BU - Mounting base housing



2890409

<https://www.phoenixcontact.com/us/products/2890409>

Environmental product compliance

EU RoHS

| | |
|-----------------------------------------|--------------------|
| Fulfills EU RoHS substance requirements | Yes, No exemptions |
|-----------------------------------------|--------------------|

China RoHS

| | |
|----------------------------------------|------------------------------------------|
| Environment friendly use period (EFUP) | EFUP-E |
| | No hazardous substances above the limits |

EU REACH SVHC

| | |
|-------------------------------------|----------------------------|
| REACH candidate substance (CAS No.) | No substance above 0.1 wt% |
|-------------------------------------|----------------------------|

EF3.1 Climate Change

| | |
|---------|---------------|
| CO2e kg | 0.105 kg CO2e |
|---------|---------------|

Phoenix Contact 2026 © - all rights reserved
<https://www.phoenixcontact.com>

Phoenix Contact USA
586 Fulling Mill Road
Middletown, PA 17057, United States
(+717) 944-1300
info@phoenixcon.com