

RAD-ANT-VAN-MKT - Mounting material

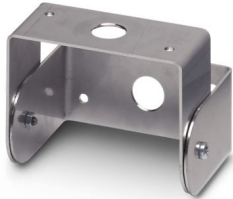


2885870

<https://www.phoenixcontact.com/us/products/2885870>

Please be informed that the data shown in this PDF document is generated from our online catalog. Please find the complete data in the user documentation. Our general terms of use for downloads are valid.

Mounting material for panel mounting of omnidirectional antenna with protection against vandals



Your advantages

- Mounting material for panel mounting

Commercial data

Item number	2885870
Packing unit	1 pc
Minimum order quantity	1 pc
Sales key	DN23
Product key	DNN2Z1
GTIN	4046356126106
Weight per piece (including packing)	206 g
Weight per piece (excluding packing)	200.9 g
Customs tariff number	73269098
Country of origin	DE

RAD-ANT-VAN-MKT - Mounting material



2885870

<https://www.phoenixcontact.com/us/products/2885870>

Technical data

Notes

Note on application

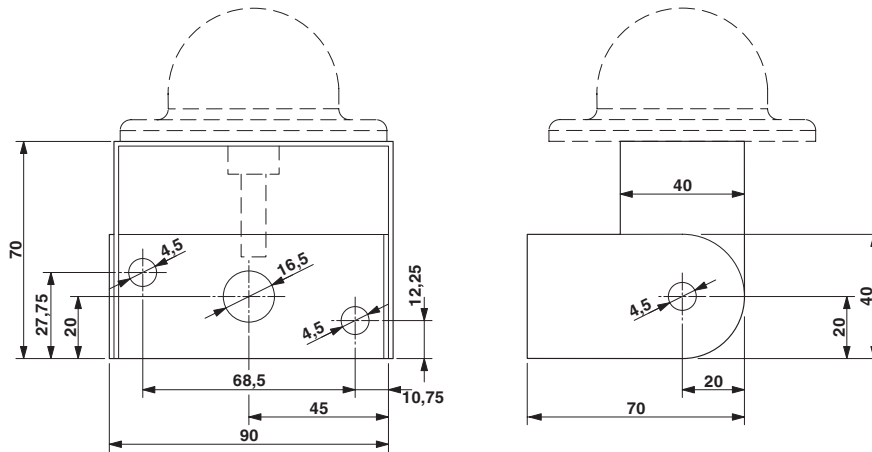
Note on application	Only for industrial use
---------------------	-------------------------

Product properties

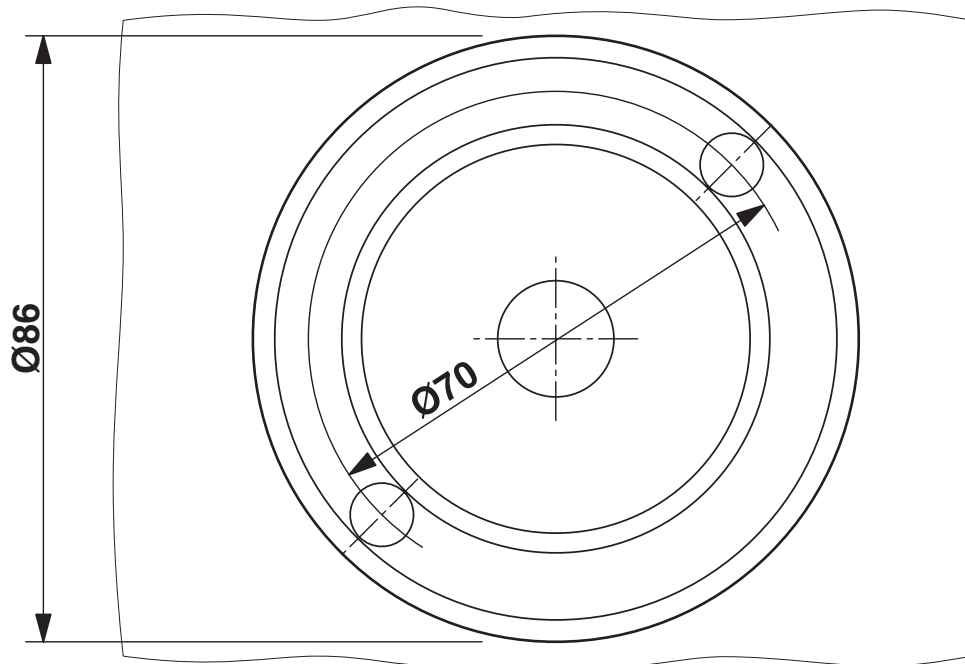
Product type	Mounting material
--------------	-------------------

Drawings

Dimensional drawing



Drilling plan/solder pad geometry



RAD-ANT-VAN-MKT - Mounting material



2885870

<https://www.phoenixcontact.com/us/products/2885870>

Classifications

ECLASS

ECLASS-13.0	27371392
ECLASS-15.0	27371392

ETIM

ETIM 10.0	EC002886
-----------	----------

UNSPSC

UNSPSC 21.0	39121100
-------------	----------

RAD-ANT-VAN-MKT - Mounting material



2885870

<https://www.phoenixcontact.com/us/products/2885870>

Environmental product compliance

EU RoHS

Fulfills EU RoHS substance requirements	Not applicable, No electrical and electronic equipment (EEE), cannot be used in EEE
---	---

EU REACH SVHC

REACH candidate substance (CAS No.)	Lead(CAS: 7439-92-1)
SCIP	bb3a1398-7384-4a9a-b1dd-3314a8aaa11c

Phoenix Contact 2026 © - all rights reserved

<https://www.phoenixcontact.com>

Phoenix Contact USA
586 Fulling Mill Road
Middletown, PA 17057, United States
(+717) 944-1300
info@phoenixcon.com