

RAD-ISM-2400-ANT-VAN- 3-0-SMA - Antenna



2885867

<https://www.phoenixcontact.com/us/products/2885867>

Please be informed that the data shown in this PDF document is generated from our online catalog. Please find the complete data in the user documentation. Our general terms of use for downloads are valid.



Omnidirectional antenna with protection against vandalism, 2.4 GHz, gain: 3 dBi, polarization: linear, opening angle: h/v 360°/85°, degree of protection: IP55, connection: SMA (male), for control cabinet mounting (optional panel mounting), incl. 1.5 m / 5 ft. connecting cable

Your advantages

- Impact-resistant housing
- For freely mobile applications
- For multipoint or mesh connections

Commercial data

Item number	2885867
Packing unit	1 pc
Note	Made to order (non-returnable)
Sales key	DN23
Product key	DNN2Z1
GTIN	4046356126120
Weight per piece (including packing)	173.5 g
Weight per piece (excluding packing)	173.5 g
Customs tariff number	85177000
Country of origin	PL

Technical data

Product properties

Product type	Antenna
Gain	3 dBi
Vertical beamwidth	85 °
Horizontal beamwidth	360 °
Polarization	Linear vertical

Electrical properties

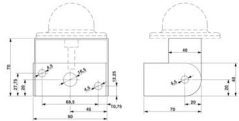
Frequency band	2.4 GHz
Frequency range	2.4 GHz
Impedance	50 Ω
Voltage standing wave ratio VSWR in a 50 Ω system	≤ 1.50

Connection data

Connection technology

Connection method	SMA (male)
-------------------	------------

Dimensions

Dimensional drawing	
Width	86 mm
Height	43 mm

Material specifications

Material	ASA
Outer sheath, material	RADOX®(LSFH)

Cable/line

Cable length	1.50 m
Connecting cable	yes
External cable diameter	3.20 mm
Outer sheath, material	RADOX®(LSFH)
Smallest bending radius, fixed installation	12.5 mm

Environmental and real-life conditions

Ambient conditions

Degree of protection	IP55
Ambient temperature (operation)	-40 °C ... 80 °C

RAD-ISM-2400-ANT-VAN- 3-0-SMA - Antenna



2885867

<https://www.phoenixcontact.com/us/products/2885867>

Ambient temperature (storage/transport)	-40 °C ... 80 °C
Wind velocity	12.34568 km/h (Has a force of 10 N)

Mounting

Mounting type	Control cabinet
Assembly note	Optional panel mounting

RAD-ISM-2400-ANT-VAN- 3-0-SMA - Antenna

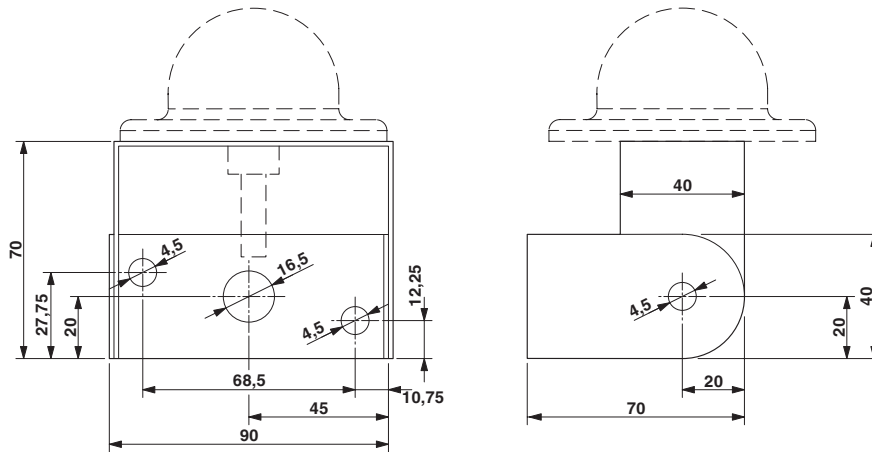


2885867

<https://www.phoenixcontact.com/us/products/2885867>

Drawings

Dimensional drawing



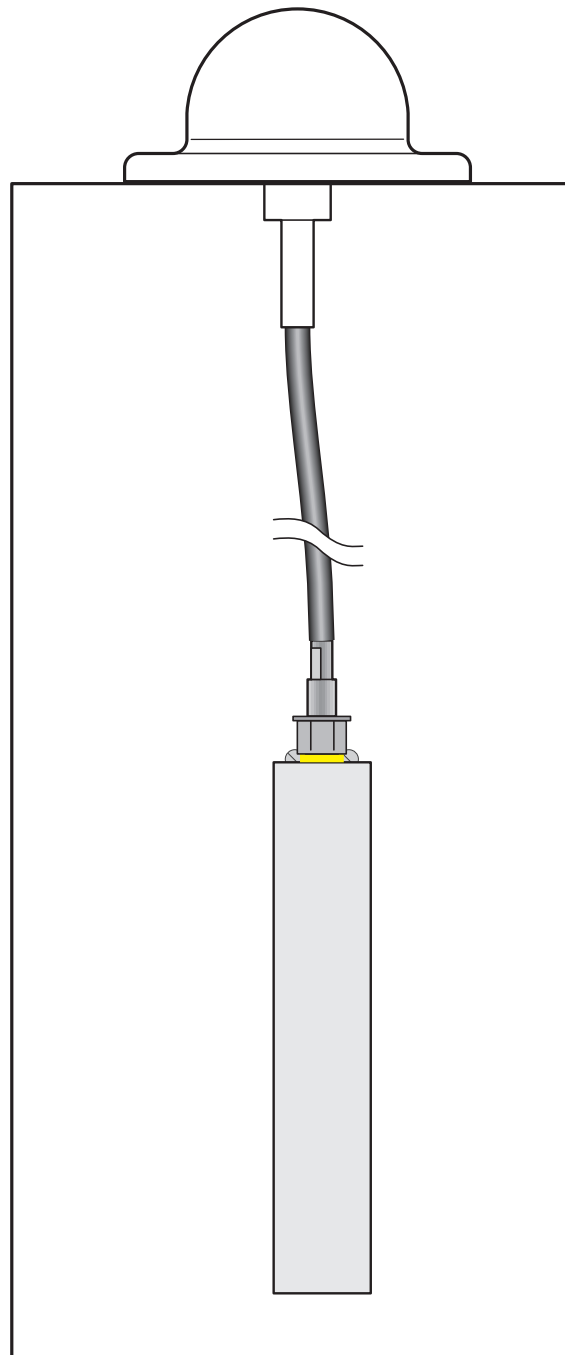
RAD-ISM-2400-ANT-VAN- 3-0-SMA - Antenna



2885867

<https://www.phoenixcontact.com/us/products/2885867>

Schematic diagram



Installation example

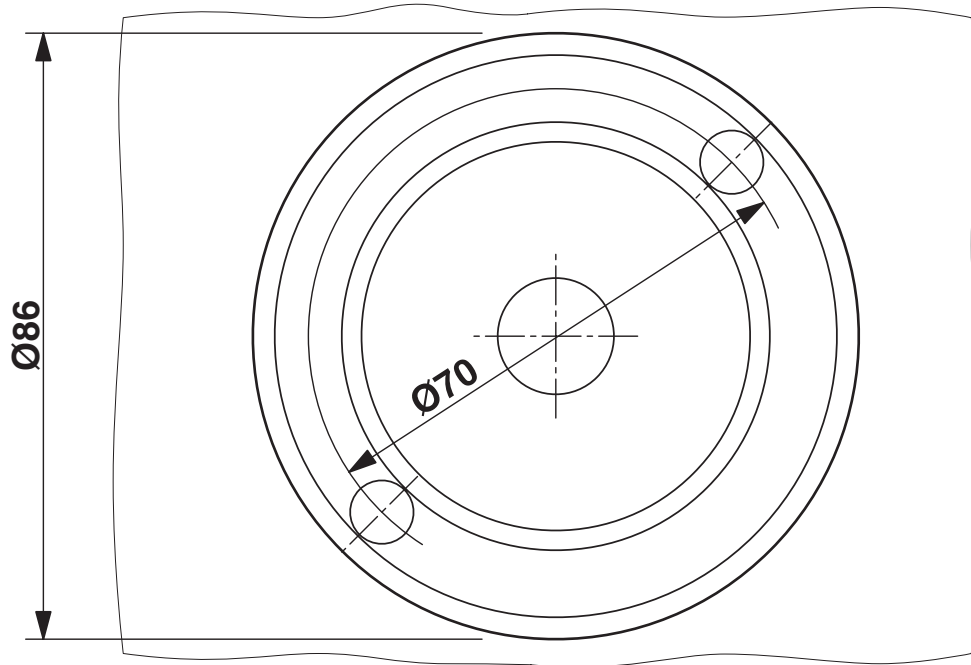
RAD-ISM-2400-ANT-VAN- 3-0-SMA - Antenna



2885867

<https://www.phoenixcontact.com/us/products/2885867>

Drilling plan/solder pad geometry



Phoenix Contact 2026 © - all rights reserved
<https://www.phoenixcontact.com>

Phoenix Contact USA
586 Fulling Mill Road
Middletown, PA 17057, United States
(+717) 944-1300
info@phoenixcon.com