

# RAD-ISM-2400-ANT-VAN- 3-1-MCX - Antenna



2885702

<https://www.phoenixcontact.com/us/products/2885702>

Please be informed that the data shown in this PDF document is generated from our online catalog. Please find the complete data in the user documentation. Our general terms of use for downloads are valid.



Omnidirectional antenna with protection against vandalism, 2.4 GHz, gain: 3 dBi, polarization: linear, opening angle: h/v 360°/85°, degree of protection: IP55, connection: MCX (male), for control cabinet mounting (optional panel mounting), incl. 1.5 m / 5 ft. connecting cable

## Your advantages

- Impact-resistant housing
- For freely mobile applications
- For multipoint or mesh connections

## Commercial data

Item number	2885702
Packing unit	1 pc
Note	Made to order (non-returnable)
Sales key	DN23
Product key	DNN2Z1
GTIN	4046356096676
Weight per piece (including packing)	172.8 g
Weight per piece (excluding packing)	172.8 g
Customs tariff number	85177000
Country of origin	PL

2885702

<https://www.phoenixcontact.com/us/products/2885702>

## Technical data

### Product properties

Product type	Antenna
Gain	3 dBi
Vertical beamwidth	85 °
Horizontal beamwidth	360 °
Polarization	Linear vertical

### Electrical properties

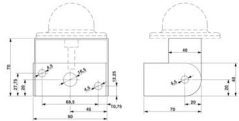
Frequency band	2.4 GHz
Frequency range	2.4 GHz
Impedance	50 Ω
Voltage standing wave ratio VSWR in a 50 Ω system	≤ 1.50

### Connection data

#### Connection technology

Connection method	MCX (male)
-------------------	------------

### Dimensions

Dimensional drawing	
Width	86 mm
Height	43 mm

### Material specifications

Material	ASA
Outer sheath, material	RADOX®(LSFH)

### Cable/line

Cable length	1.50 m
Connecting cable	yes
External cable diameter	3.20 mm
Outer sheath, material	RADOX®(LSFH)
Smallest bending radius, fixed installation	12.5 mm

### Environmental and real-life conditions

#### Ambient conditions

Degree of protection	IP55
Ambient temperature (operation)	-40 °C ... 80 °C

# RAD-ISM-2400-ANT-VAN- 3-1-MCX - Antenna



2885702

<https://www.phoenixcontact.com/us/products/2885702>

Ambient temperature (storage/transport)	-40 °C ... 80 °C
Wind velocity	12.34568 km/h (Has a force of 10 N)

## Mounting

Mounting type	Control cabinet
Assembly note	Optional panel mounting

# RAD-ISM-2400-ANT-VAN- 3-1-MCX - Antenna

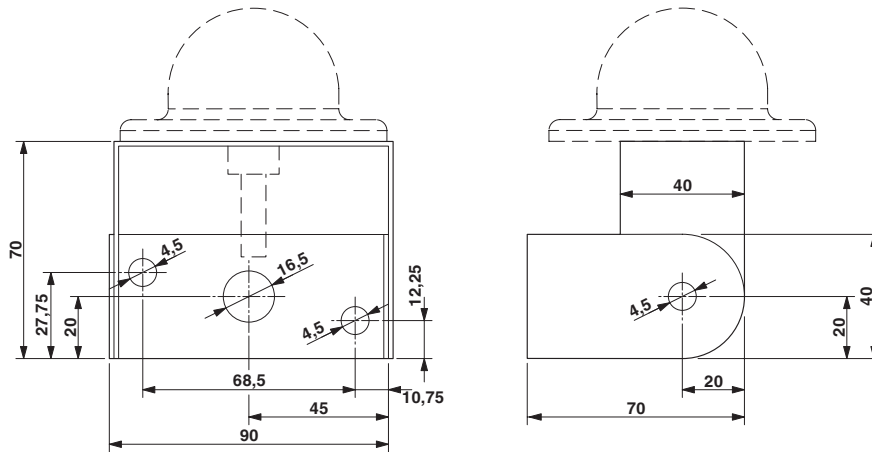


2885702

<https://www.phoenixcontact.com/us/products/2885702>

## Drawings

Dimensional drawing



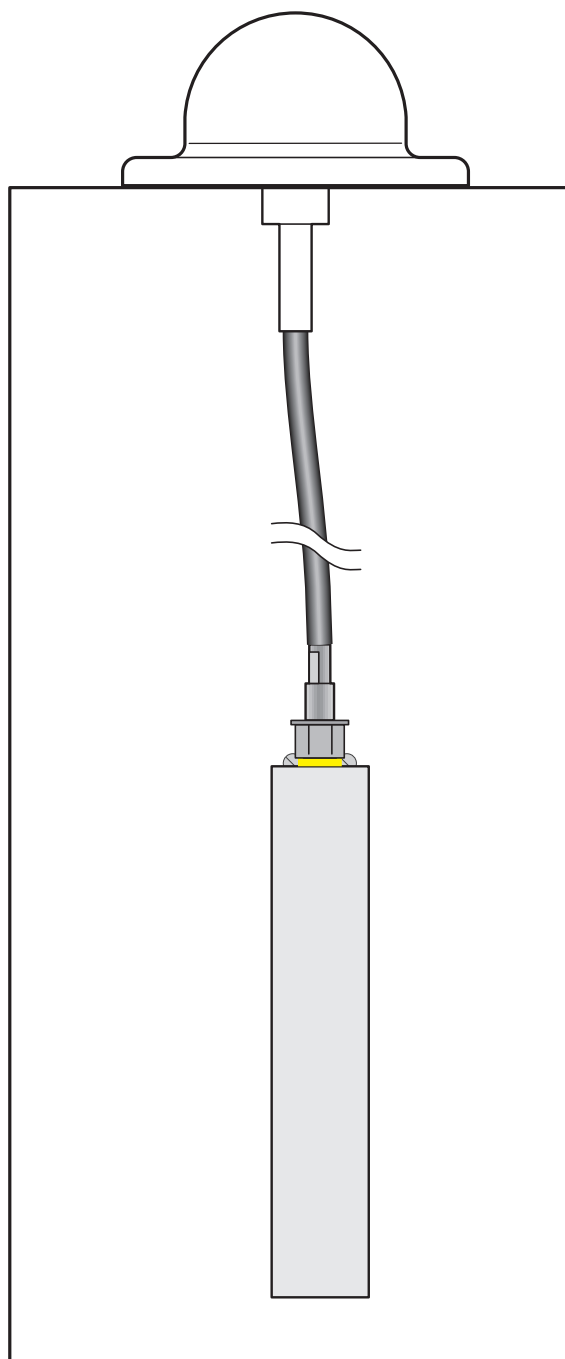
# RAD-ISM-2400-ANT-VAN- 3-1-MCX - Antenna



2885702

<https://www.phoenixcontact.com/us/products/2885702>

Schematic diagram

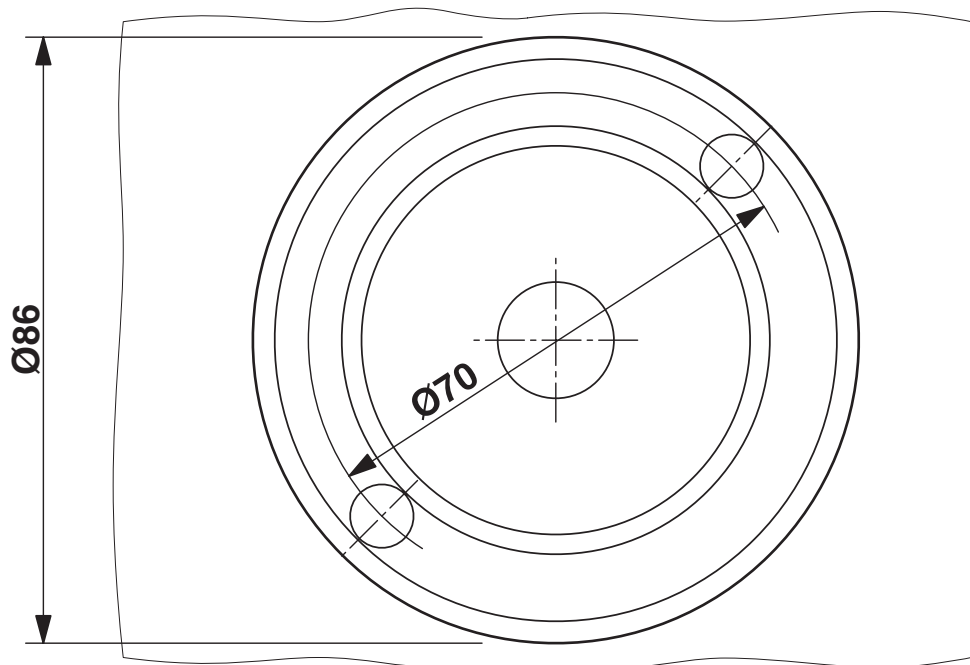


Installation example

2885702

<https://www.phoenixcontact.com/us/products/2885702>

Drilling plan/solder pad geometry



2885702

<https://www.phoenixcontact.com/us/products/2885702>

## Environmental product compliance

### EU RoHS

Fulfills EU RoHS substance requirements	Yes
Exemption	6(c)

### China RoHS

Environment friendly use period (EFUP)	EFUP-25
	An article-related China RoHS declaration table can be found in the download area for the respective article under "Manufacturer declaration". For all articles with EFUP-E, no China RoHS declaration table issued and required.

### EU REACH SVHC

REACH candidate substance (CAS No.)	No substance above 0.1 wt%
-------------------------------------	----------------------------

Phoenix Contact 2026 © - all rights reserved  
<https://www.phoenixcontact.com>

Phoenix Contact USA  
586 Fulling Mill Road  
Middletown, PA 17057, United States  
(+717) 944-1300  
[info@phoenixcon.com](mailto:info@phoenixcon.com)