

# RAD-ISM-900-ANT-OMNI-FG-6-N - Antenna



2885579

<https://www.phoenixcontact.com/us/products/2885579>

Please be informed that the data shown in this PDF document is generated from our online catalog. Please find the complete data in the user documentation. Our general terms of use for downloads are valid.

Omnidirectional antenna, 900 MHz, gain: 8 dBi, polarization: linear, opening angle: h/v 360°/15°, degree of protection: IP65, connection: N (female), incl. mounting bracket and mast clips



## Your advantages

- For freely mobile applications
- For multipoint or mesh connections

## Commercial data

Item number	2885579
Packing unit	1 pc
Note	Made to order (non-returnable)
Sales key	DN23
Product key	DNC6A3
GTIN	4046356149471
Weight per piece (including packing)	444.44 g
Weight per piece (excluding packing)	444.44 g
Customs tariff number	85177000
Country of origin	US

# RAD-ISM-900-ANT-OMNI-FG-6-N - Antenna



2885579

<https://www.phoenixcontact.com/us/products/2885579>

## Technical data

### Product properties

Product type	Antenna
Gain	8 dBi
Vertical beamwidth	15 °
Horizontal beamwidth	360 °
Polarization	Linear vertical

### Electrical properties

Frequency band	900 MHz
Frequency range	900 MHz
Impedance	50 Ω
Voltage standing wave ratio VSWR in a 50 Ω system	≤ 1.50

### Connection data

#### Connection technology

Connection method	N (female)
Outside diameter	38 mm ... 60 mm (Mast)

### Dimensions

Width	6.05 cm
Height	180.34 cm

#### External dimensions

Outside diameter	38 mm ... 60 mm (Mast)
------------------	------------------------

### Material specifications

Material	Fiberglass-reinforced plastic
	V2A
	V2A

### Cable/line

Connecting cable	no
------------------	----

### Environmental and real-life conditions

#### Ambient conditions

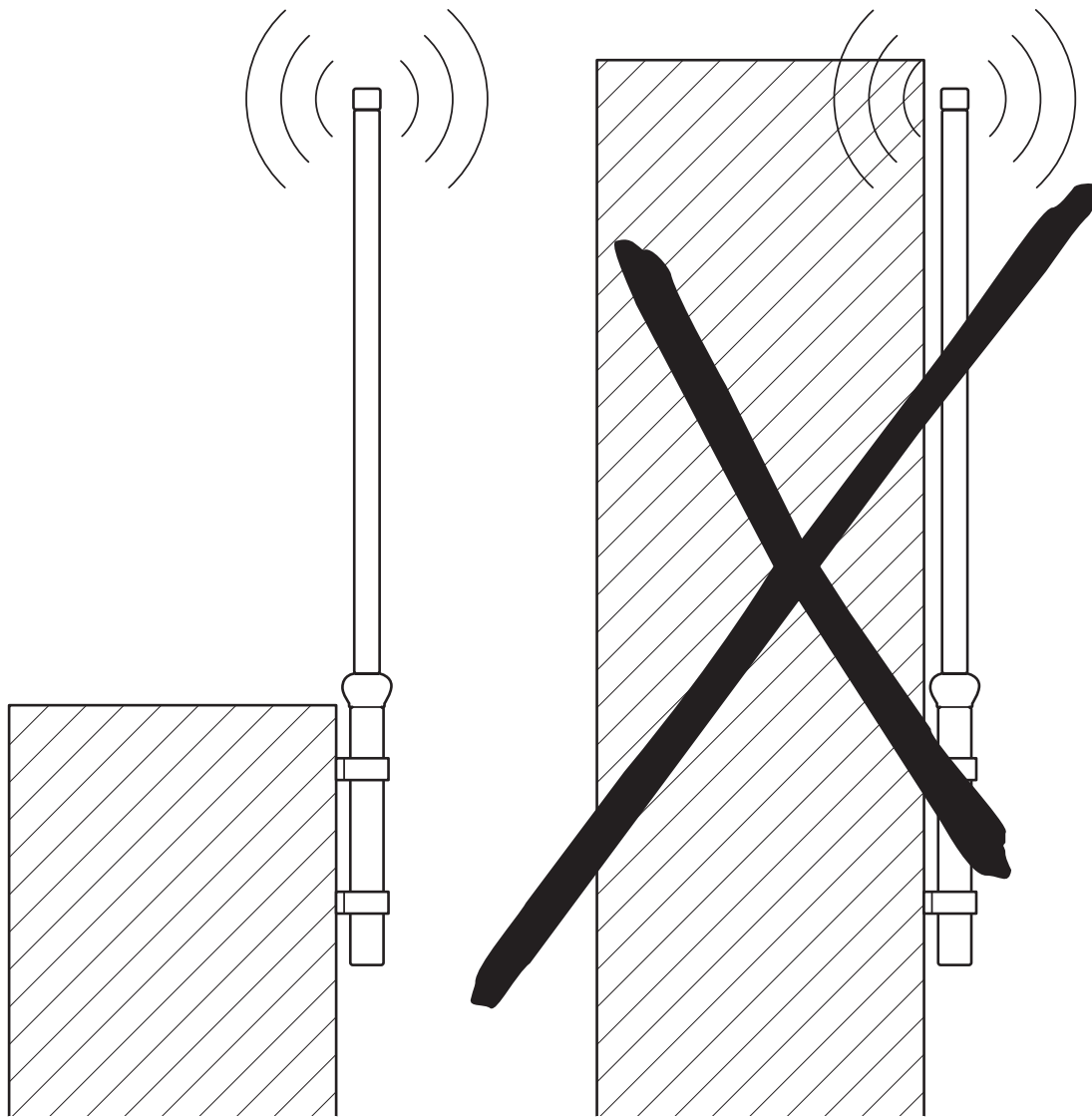
Degree of protection	IP65
Ambient temperature (operation)	-40 °C ... 80 °C
Wind velocity	15.5092605 km/h

### Mounting

Mounting type	Mast mounting
---------------	---------------

Drawings

Schematic diagram



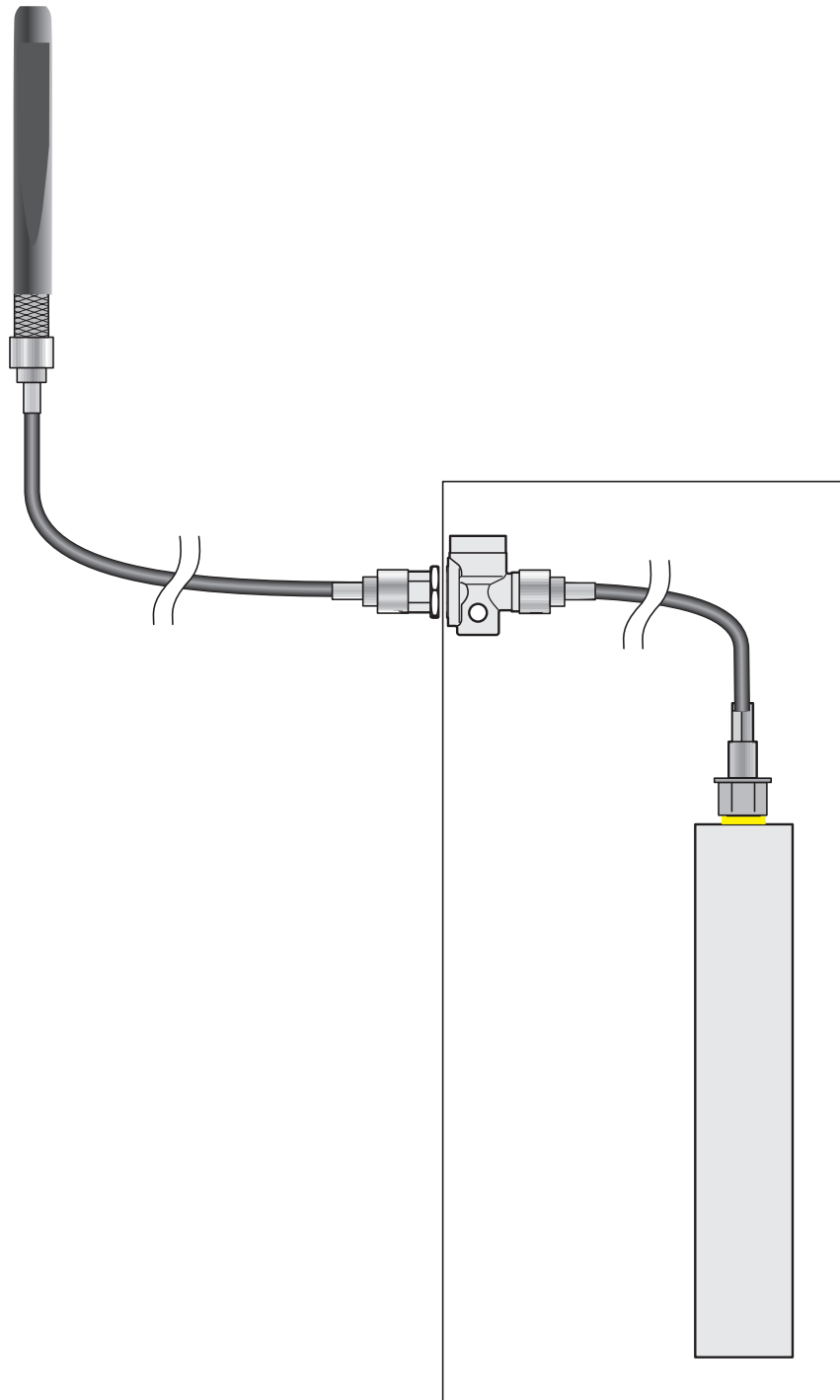
# RAD-ISM-900-ANT-OMNI-FG-6-N - Antenna



2885579

<https://www.phoenixcontact.com/us/products/2885579>

Schematic diagram



Installation example

# RAD-ISM-900-ANT-OMNI-FG-6-N - Antenna



2885579

<https://www.phoenixcontact.com/us/products/2885579>

## Classifications

### UNSPSC

UNSPSC 21.0	43223100
-------------	----------

2885579

<https://www.phoenixcontact.com/us/products/2885579>

## Environmental product compliance

### EU RoHS

Fulfills EU RoHS substance requirements	Yes
Exemption	6(c)

### China RoHS

Environment friendly use period (EFUP)	EFUP-50
	An article-related China RoHS declaration table can be found in the download area for the respective article under "Manufacturer declaration". For all articles with EFUP-E, no China RoHS declaration table issued and required.

### EU REACH SVHC

REACH candidate substance (CAS No.)	Lead(CAS: 7439-92-1)
-------------------------------------	----------------------

Phoenix Contact 2026 © - all rights reserved  
<https://www.phoenixcontact.com>

Phoenix Contact USA  
586 Fulling Mill Road  
Middletown, PA 17057, United States  
(+717) 944-1300  
[info@phoenixcon.com](mailto:info@phoenixcon.com)