

# RAD-OUT-2D-CNT - Extension module



2885236

<https://www.phoenixcontact.com/us/products/2885236>

Please be informed that the data shown in this PDF document is generated from our online catalog. Please find the complete data in the user documentation. Our general terms of use for downloads are valid.

Digital extension module with 2 digital outputs for output of pulses and frequencies



## Commercial data

Item number	2885236
Packing unit	1 pc
Note	Made to order (non-returnable)
Sales key	DN26
Product key	DNC654
GTIN	4046356049870
Weight per piece (including packing)	165.566 g
Weight per piece (excluding packing)	165.566 g
Customs tariff number	85177000
Country of origin	CA

# RAD-OUT-2D-CNT - Extension module



2885236

<https://www.phoenixcontact.com/us/products/2885236>

## Technical data

### Product properties

Product type	Extension module
--------------	------------------

### Electrical properties

Maximum power dissipation for nominal condition	2.76 W
---	--------

### Brake to be connected

Connection method	Screw connection
-------------------	------------------

### Supply

Supply voltage range	9 V DC ... 30 V DC (via bus foot)
Typical current consumption	90 mA
Max. current consumption	115 mA

### Connection data

Connection method	Screw connection
Stripping length	8 mm
Conductor cross-section flexible	0.2 mm <sup>2</sup> ... 2.5 mm <sup>2</sup>
Conductor cross-section rigid	0.2 mm <sup>2</sup> ... 4 mm <sup>2</sup>
Cross section AWG	24 ... 14
Screw thread	M3

### Dimensions

Width	22.5 mm
Height	99 mm
Depth	114.5 mm

### Material specifications

Color (Housing)	green (RAL 6021)
Material (Housing)	Polyamide

### Environmental and real-life conditions

#### Ambient conditions

Degree of protection	IP20
Ambient temperature (operation)	-20 °C ... 65 °C -4 °F ... 149 °F
Ambient temperature (storage/transport)	-40 °C ... 85 °C

### Approvals

#### CE

Certificate	CE-compliant
-------------	--------------

# RAD-OUT-2D-CNT - Extension module



2885236

<https://www.phoenixcontact.com/us/products/2885236>

UL, USA/Canada

Identification	Class I, Div. 2, Groups A, B, C, D
----------------	------------------------------------

## Mounting

Assembly note	on standard DIN rail NS 35 in accordance with EN 60715
Mounting position	any

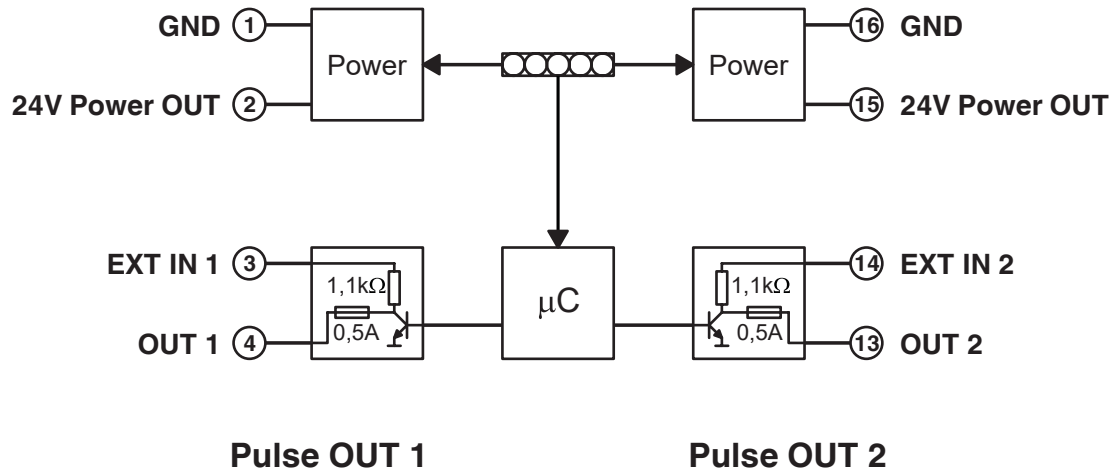
# RAD-OUT-2D-CNT - Extension module

2885236

<https://www.phoenixcontact.com/us/products/2885236>

## Drawings

Block diagram



# RAD-OUT-2D-CNT - Extension module



2885236

<https://www.phoenixcontact.com/us/products/2885236>

## Environmental product compliance

### China RoHS

Environment friendly use period (EFUP)	EFUP-E
	No hazardous substances above the limits

### EU REACH SVHC

REACH candidate substance (CAS No.)	No substance above 0.1 wt%
-------------------------------------	----------------------------

Phoenix Contact 2026 © - all rights reserved  
<https://www.phoenixcontact.com>

Phoenix Contact USA  
586 Fulling Mill Road  
Middletown, PA 17057, United States  
(+717) 944-1300  
[info@phoenixcon.com](mailto:info@phoenixcon.com)