

# RAD-ISM-900-SET-DC-UD-NZ - Wireless module



2885045

<https://www.phoenixcontact.com/us/products/2885045>

Please be informed that the data shown in this PDF document is generated from our online catalog. Please find the complete data in the user documentation. Our general terms of use for downloads are valid.

Unidirectional, wireless, 900 MHz transmission system (New Zealand), consists of an outdoor transmitter (transmitter, Tx) with 9...30 V DC supply, a DIN-mountable receiver (receiver, Rx) with 12...30 V DC supply, and antennas



## Commercial data

Item number	2885045
Packing unit	1 pc
Minimum order quantity	1 pc
Sales key	DN26
Product key	DNC651
GTIN	4046356049740
Weight per piece (including packing)	444.44 g
Weight per piece (excluding packing)	444.44 g
Customs tariff number	85176990
Country of origin	CA

2885045

<https://www.phoenixcontact.com/us/products/2885045>

## Technical data

### Product properties

Product type	Wireless module
--------------	-----------------

### Electrical properties

#### Supply Receiver

Supply voltage	24 V DC (at $U_B$ )
Supply voltage range	12 V DC ... 30 V DC
Typical current consumption	85 mA
Max. current consumption	125 mA

#### Supply Transmitter

Supply voltage	24 V DC
Supply voltage range	9 V DC ... 30 V DC
Typical current consumption	75 mA
Max. current consumption	350 mA

### Input data

#### Digital

Input voltage range	5 V AC/DC ... 30 V AC/DC
Switching threshold "0" signal, voltage	max. 1.5 V DC
Switching threshold "1" signal voltage	min. 5 V DC

#### Analog

Description of the input	Current input (analog input)
Current input signal	4 mA ... 20 mA
Input resistance current input	< 170 $\Omega$

#### Analog

Description of the input	Voltage input (digital input)
--------------------------	-------------------------------

### Output data

#### Digital

Output name	2x relay output + 1 x RF link
Contact switching type	3 floating changeover contacts
Contact material	Ag, gold-plated
Maximum switching voltage	30 V DC 120 V AC
Limiting continuous current	0.5 A
Service life electrical	8x 10 <sup>5</sup> cycles at a switching current of 0.5 A
Mechanical service life	1x 10 <sup>7</sup>

#### Analog

2885045

<https://www.phoenixcontact.com/us/products/2885045>

Output name	Current output
Current output signal	4 mA ... 20 mA
Load/output load current output	700 Ω (at $U_B = 24\text{ V}$ , $R_B = [U_B - 10\text{ V}] / 20\text{ mA}$ )

## Interfaces

### Wireless

Direction	Uni-directional
Number of channel groups	1
Number of channels per group	63

### Wireless

Direction	Uni-directional
Frequency range	921.4 MHz ... 927.7 MHz
Number of channel groups	1
Number of channels per group	63
Transmission power	1 W

### Wireless

Frequency band	900 MHz
----------------	---------

## Dimensions

Width	17.5 mm
Height	99 mm
Depth	114.5 mm

## Environmental and real-life conditions

### Ambient conditions

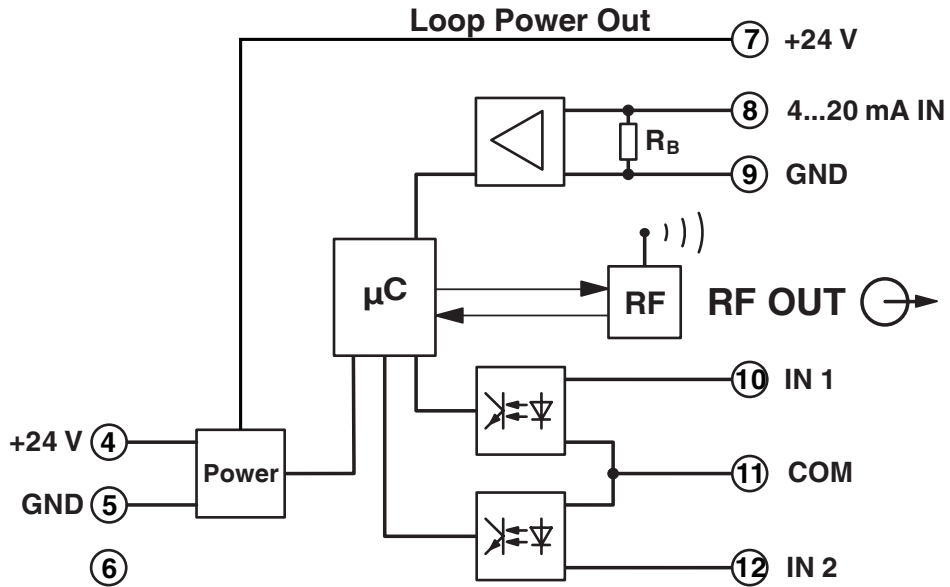
Degree of protection	IP65
	IP20
	IP20
Ambient temperature (operation)	-40 °C ... 70 °C
	-40 °F ... 158 °F
Ambient temperature (storage/transport)	-40 °C ... 85 °C

## EMC data

Electromagnetic compatibility	FCC Part 15.247
-------------------------------	-----------------

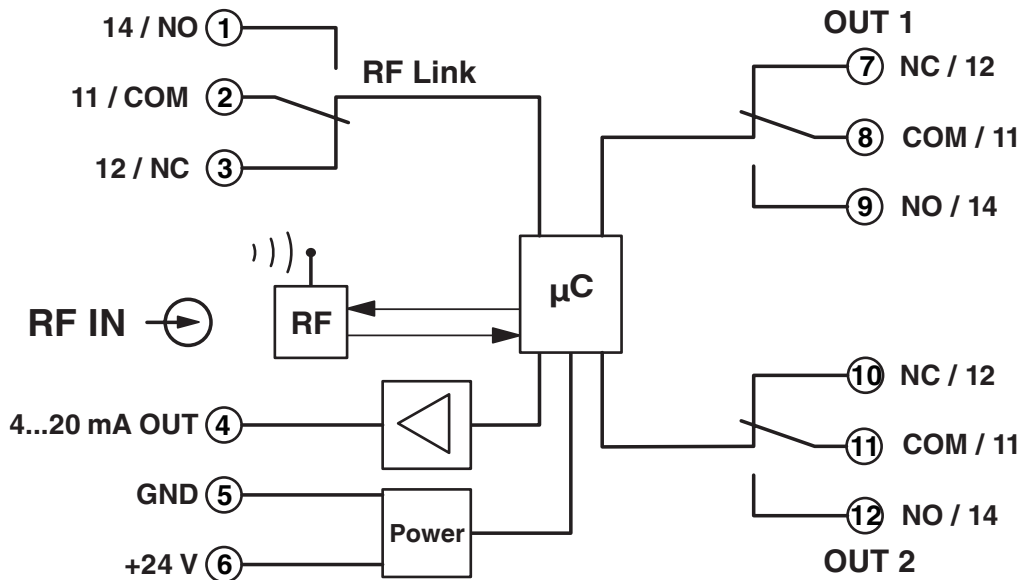
Drawings

Block diagram



Transmitter module

Block diagram



Receiver module

# RAD-ISM-900-SET-DC-UD-NZ - Wireless module



2885045

<https://www.phoenixcontact.com/us/products/2885045>

## Environmental product compliance

EU REACH SVHC

REACH candidate substance (CAS No.)	No substance above 0.1 wt%
-------------------------------------	----------------------------

Phoenix Contact 2026 © - all rights reserved

<https://www.phoenixcontact.com>

Phoenix Contact USA  
586 Fulling Mill Road  
Middletown, PA 17057, United States  
(+717) 944-1300  
[info@phoenixcon.com](mailto:info@phoenixcon.com)