

# S-PT-1X2-24DC-3/4" - Surge protection device



2882598

<https://www.phoenixcontact.com/us/products/2882598>

Please be informed that the data shown in this PDF document is generated from our online catalog. Please find the complete data in the user documentation. Our general terms of use for downloads are valid.



Surge protection in the IP67 screw-on module for measuring sensors, direct mounting with 3/4" NPT outer thread, cable gland for the signal line, two-stage protective circuit. HART-compatible. Can be used in safety-related circuits up to SIL 3.

## Your advantages

- Easiest field mounting with standardized thread
- Versatile in use with universal protective circuit
- Use under extreme ambient conditions with robust design

## Commercial data

Item number	2882598
Packing unit	1 pc
Minimum order quantity	1 pc
Note	Made to order (non-returnable)
Sales key	CL02
Product key	CL2231
GTIN	4046356098182
Weight per piece (including packing)	439.5 g
Weight per piece (excluding packing)	400.91 g
Customs tariff number	85363010
Country of origin	DE

# S-PT-1X2-24DC-3/4" - Surge protection device



2882598

<https://www.phoenixcontact.com/us/products/2882598>

## Technical data

### Notes

Notes on operation	When the bridge is disconnected, the shield connection is indirectly connected to the housing or reference potential.
--------------------	---

### Product properties

Product type	Surge protection for MCR technology
Product family	SURGETRAB
IEC test classification	C1
	C2
	C3
	D1
Type	Screw-in module
Number of positions	3
Surge protection fault message	none
Wire pairs per module	1

### Insulation characteristics

Overvoltage category	III
Pollution degree	2

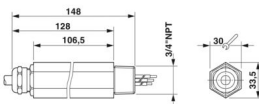
### Electrical properties

Nominal voltage $U_N$	24 V DC
-----------------------	---------

### Connection data

Connection method	Screw connection
Screw thread	M3
Tightening torque	0.6 Nm
Conductor cross-section flexible	0.14 mm <sup>2</sup> ... 1.5 mm <sup>2</sup>
Conductor cross-section rigid	0.14 mm <sup>2</sup> ... 1.5 mm <sup>2</sup>
Conductor cross-section AWG	26 ... 16

### Dimensions

Dimensional drawing	
Width	33.5 mm
Height	33.5 mm
Depth	148 mm

### Material specifications

Color	Steel/stainless steel color
-------	-----------------------------

# S-PT-1X2-24DC-3/4" - Surge protection device



2882598

<https://www.phoenixcontact.com/us/products/2882598>

	black (RAL 9005)
Housing material	Zinc die-cast, surface bronzed and nickel-plated

## Mechanical properties

### Mechanical data

Open side panel	No
-----------------	----

## Protective circuit

Direction of action	Line-Line & Line-Earth Ground
Nominal voltage $U_N$	24 V DC
Maximum continuous operating voltage $U_C$	40 V DC
	28 V AC
Rated current	450 mA (55 °C)
Operating effective current $I_C$ at $U_C$	$\leq 10 \mu A$
Protective conductor current $I_{PE}$	$\leq 2 \mu A$
Nominal discharge current $I_n$ (8/20) $\mu s$ (line-line)	10 kA
Nominal discharge current $I_n$ (8/20) $\mu s$ (line-ground)	10 kA (per path)
Nominal discharge current $I_n$ (8/20) $\mu s$ (shield-ground)	10 kA (optional)
Pulse discharge current $I_{imp}$ (10/350) $\mu s$	1 kA
Total discharge current $I_{Total}$ (8/20) $\mu s$	20 kA
Total discharge current $I_{Total}$ (10/350) $\mu s$	2 kA
Max. discharge current $I_{max}$ (8/20) $\mu s$ maximum (line-line)	10 kA
Max. discharge current $I_{max}$ (8/20) $\mu s$ maximum (line-earth)	10 kA (per path)
Discharge surge current $I_{max}$ (8/20) $\mu s$ maximum (shield-ground)	10 kA
Nominal pulse current $I_{an}$ (10/1000) $\mu s$ (line-line)	23 A
Nominal pulse current $I_{an}$ (10/1000) $\mu s$ (line-earth)	100 A
Nominal pulse current $I_{an}$ (10/1000) $\mu s$ (shield-ground)	100 A
Output voltage limitation at 1 kV/ $\mu s$ (line-line) spike	$\leq 55 V$
Output voltage limitation at 1 kV/ $\mu s$ (line-earth) spike	$\leq 450 V$ (Direct grounding)
Output voltage limitation at 1 kV/ $\mu s$ (shield-ground) spike	$\leq 600 V$ (optional)
Output voltage limitation at 1 kV/ $\mu s$ (line-line) static	$\leq 55 V$
Output voltage limitation at 1 kV/ $\mu s$ (line-earth) static	$\leq 450 V$ (Direct grounding)
Residual voltage at $I_n$ (conductor-conductor)	$\leq 55 V$
Residual voltage with $I_{an}$ (10/1000) $\mu s$ (line-line)	$\leq 65 V$
Voltage protection level $U_p$ (line-line)	$\leq 80 V$ (C2 - 10 kV / 5 kA)
Voltage protection level $U_p$ (line-earth)	$\leq 450 V$ (C2 - 10 kV / 5 kA)
Voltage protection level $U_p$ (shield-ground)	$\leq 600 V$ (C2 - 10 kV / 5 kA)
Voltage protection level $U_p$ static (line-line)	$\leq 50 V$ (C2 - 10 kV / 5 kA)
Response time $t_A$ (line-line)	$\leq 1 ns$
Response time $t_A$ (line-earth)	$\leq 100 ns$
Response time $t_A$ (shield-ground)	$\leq 100 ns$
Input attenuation aE, sym.	typ. 0.5 dB ( $\leq 1.5 MHz / 50 \Omega$ )
	typ. 0.2 dB ( $\leq 300 kHz / 150 \Omega$ )
Cut-off frequency $f_g$ (3 dB), sym. in 50 $\Omega$ system	typ. 6 MHz

# S-PT-1X2-24DC-3/4" - Surge protection device



2882598

<https://www.phoenixcontact.com/us/products/2882598>

Cut-off frequency $f_g$ (3 dB), sym. in 150 $\Omega$ system	typ. 2 MHz
Resistance per path	2.2 $\Omega \pm 10\%$
Surge protection fault message	none
Max. required back-up fuse	500 mA (T)
Impulse durability (line-line)	C2 - 10 kV / 5 kA
	D1 - 1 kA
Impulse durability (line-earth)	C2 - 10 kV / 5 kA
	D1 - 1 kA
Impulse durability (shield-ground)	C2 - 10 kV/5 kA
	D1 - 1 kA

## Environmental and real-life conditions

### Ambient conditions

Degree of protection	IP67
Ambient temperature (operation)	-40 °C ... 85 °C
Ambient temperature (storage/transport)	-40 °C ... 85 °C
Altitude	$\leq 2000$ m (amsl)

## Standards and regulations

### Air clearances and creepage distances

Standards/regulations	IEC 60664-1 / VDE 0110-1
Standards/specifications	IEC 61643-21
Note	2002

## Mounting

Mounting type	direct screw connection
---------------	-------------------------

# S-PT-1X2-24DC-3/4" - Surge protection device

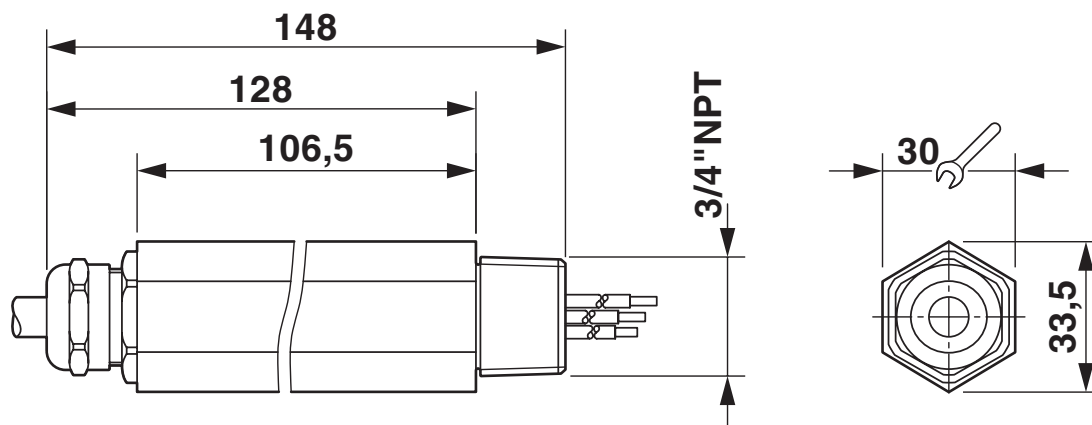


2882598

<https://www.phoenixcontact.com/us/products/2882598>

## Drawings

Dimensional drawing

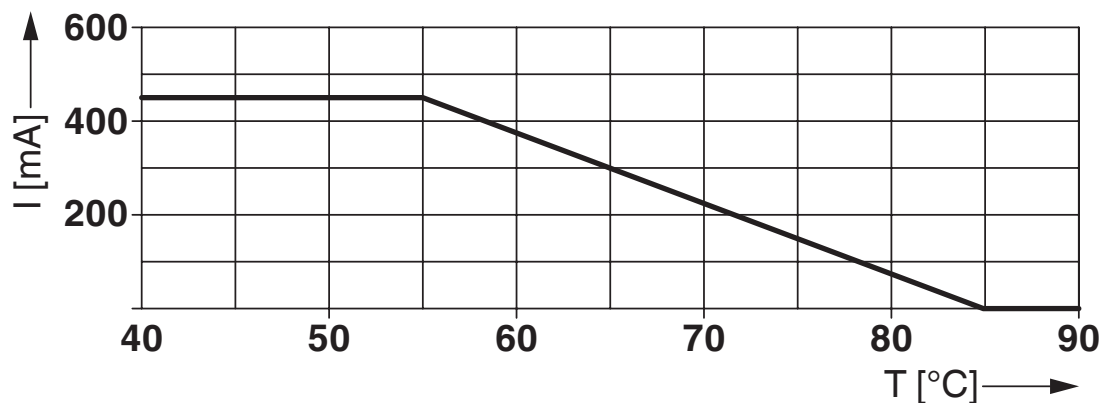


Schematic diagram

S-PT-1X2-24DC*									
Category	1oo1 architecture, HFT=0				1oo2 architecture, HFT=1				
	PFD <sub>AVG</sub>	PFH	Used budget of SIL 2 SIF		PFD <sub>AVG</sub>	PFH	CCF	Used budget of SIL 3 SIF	
			PFD <sub>AVG</sub>	PFH				PFD <sub>AVG</sub>	PFH
	4.50·10 <sup>-6</sup>	8.00·10 <sup>-10</sup> 1/h	0.0 %	0.1 %	2.25·10 <sup>-7</sup>	4.00·10 <sup>-11</sup> 1/h	5 %	0.0 %	0.0 %
					4.50·10 <sup>-7</sup>	8.00·10 <sup>-11</sup> 1/h	10 %	0.0 %	0.1 %
Calculation based on exida report, Phoenix Contact 23/05-128 R029 V1R0 exida Profile 1, FMEDA Analysis 2, T <sub>proof</sub> : 1 year, MT: 10 years, MTTR: 24 hours, PTC: 99% Used standards IEC/EN 61508, edition 2010 (device specific) IEC/EN 61511, edition 2016 + COR1:2016 + A1:2017 (system specific)									

## Functional safety scenarios

Diagram



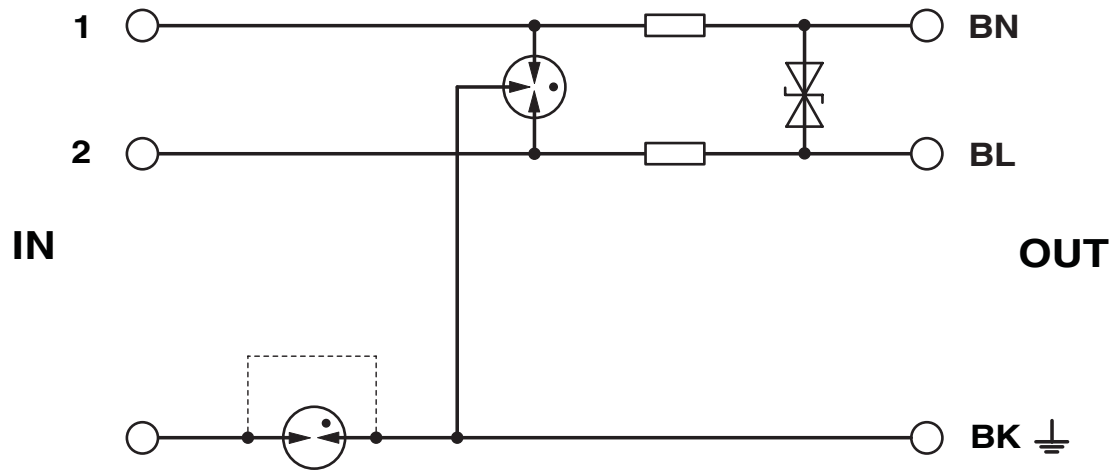
# S-PT-1X2-24DC-3/4" - Surge protection device



2882598

<https://www.phoenixcontact.com/us/products/2882598>

Circuit diagram



# S-PT-1X2-24DC-3/4" - Surge protection device



2882598

<https://www.phoenixcontact.com/us/products/2882598>

## Approvals

🔗 To download certificates, visit the product detail page: <https://www.phoenixcontact.com/us/products/2882598>

### Functional Safety

Approval ID: 23-05-128 R029 V1R0

# S-PT-1X2-24DC-3/4" - Surge protection device



2882598

<https://www.phoenixcontact.com/us/products/2882598>

## Classifications

### ECLASS

ECLASS-13.0

27171501

### ETIM

ETIM 9.0

EC000943

### UNSPSC

UNSPSC 21.0

39121600

# S-PT-1X2-24DC-3/4" - Surge protection device



2882598

<https://www.phoenixcontact.com/us/products/2882598>

## Environmental product compliance

### EU RoHS

Fulfills EU RoHS substance requirements	Yes
Exemption	7(a)

### China RoHS

Environment friendly use period (EFUP)	EFUP-50
	An article-related China RoHS declaration table can be found in the download area for the respective article under "Manufacturer declaration". For all articles with EFUP-E, no China RoHS declaration table issued and required.

### EU REACH SVHC

REACH candidate substance (CAS No.)	Lead(CAS: 7439-92-1)
SCIP	ba4ec2c8-34c0-4e56-b243-fc0eb3462128

Phoenix Contact 2026 © - all rights reserved

<https://www.phoenixcontact.com>

Phoenix Contact USA  
586 Fulling Mill Road  
Middletown, PA 17057, United States  
(+717) 944-1300  
[info@phoenixcon.com](mailto:info@phoenixcon.com)