

MNT-TAE D/WH - Type 3 surge protection device



2882394

<https://www.phoenixcontact.com/us/products/2882394>

Please be informed that the data shown in this PDF document is generated from our online catalog. Please find the complete data in the user documentation. Our general terms of use for downloads are valid.

Socket attachment plug with surge protection for the power supply and signal connection of an end device with analog or digital telecommunications interface (VDSL up to 50 Mbps, on short paths (< 300 m) up to 80 Mbps). Cable is included.



Your advantages

- Optimal additional protection of the building installation for longer service life and increased availability of the end devices
- Industrial quality for residential buildings, thanks to compliance with international product standard
- Meets the most stringent safety requirements with thermal monitoring and additional fuses
- Special router protection, thanks to simultaneous protection of the power supply and the signals

Commercial data

| | |
|--------------------------------------|--------------------------------|
| Item number | 2882394 |
| Packing unit | 1 pc |
| Minimum order quantity | 1 pc |
| Note | Made to order (non-returnable) |
| Product key | CL1423 |
| GTIN | 4046356073462 |
| Weight per piece (including packing) | 200.2 g |
| Weight per piece (excluding packing) | 195.3 g |
| Country of origin | DE |

MNT-TAE D/WH - Type 3 surge protection device



2882394

<https://www.phoenixcontact.com/us/products/2882394>

Technical data

Product properties

| | |
|--------------------------------|-------------------|
| Product type | Device protection |
| Product family | MAINTRAB |
| IEC test classification | C1 |
| | C2 |
| | C3 |
| | D1 |
| IEC power supply system | TN |
| | TT |
| Type | Intermediate plug |
| Number of positions | 2 |
| For country-specific use in | D |
| Surge protection fault message | optical |
| Wire pairs per module | 1 |

Insulation characteristics

| | |
|-------------------------|-----|
| Overvoltage category | III |
| Pollution degree | 2 |
| IEC test classification | III |
| | T3 |
| EN type | T3 |
| Number of ports | One |

Connection data

| | |
|-------------------|-----------------------|
| Connection method | RJ12-/TAE 6 |
| Connection method | Grounding plug/socket |

Dimensions

| | |
|---------------------|--------|
| Dimensional drawing | |
| Width | 63 mm |
| Height | 103 mm |
| Depth | 78 mm |

Material specifications

| | |
|-------|------------------|
| Color | white (RAL 9010) |
| | black (RAL 9005) |

MNT-TAE D/WH - Type 3 surge protection device



2882394

<https://www.phoenixcontact.com/us/products/2882394>

| | |
|--|------|
| Flammability rating according to UL 94 | V-0 |
| CTI value of material | 400 |
| | 600 |
| Insulating material | PA 6 |
| Housing material | PA 6 |

Protective circuit

Power supplies

| | |
|---|--|
| Direction of action | L/N-PE & Signal Line-Earth Ground |
| Nominal voltage U_N | 230/400 V AC (TN/TT) |
| Nominal frequency f_N | 50 Hz (60 Hz) |
| Maximum continuous operating voltage U_C (L-N) | 275 V AC |
| Maximum continuous operating voltage U_C (L-PE) | 360 V AC |
| Maximum continuous operating voltage U_C (N-PE) | 360 V AC |
| Rated load current I_L | 16 A (30 °C) |
| Protective conductor current I_{PE} | $\leq 5 \mu A$ |
| Standby power consumption P_C | $\leq 1 VA$ |
| Reference test voltage U_{REF} | 255 V AC |
| Combination wave U_{OC} | 6 kV |
| Voltage protection level U_p | $\leq 1.5 kV$ |
| TOV behavior at U_T (L-N) | 460 V AC (5 s / withstand mode) |
| | 460 V AC (120 min / safe failure mode) |
| TOV behavior at U_T (L-PE) | 460 V AC (5 s / withstand mode) |
| | 460 V AC (120 min / withstand mode) |
| | 1455 V AC (200 ms / safe failure mode) |
| TOV behavior at U_T (N-PE) | 1200 V AC (200 ms / safe failure mode) |
| Response time t_A (L-N) | $\leq 25 ns$ |
| Response time t_A (L-PE) | $\leq 100 ns$ |
| Response time t_A (N-PE) | $\leq 100 ns$ |
| Max. required back-up fuse | 16 A (gG / B / C) |
| Short-circuit current rating I_{SCCR} | 1.5 kA AC |

Information technology

| | |
|--|------------------|
| Maximum continuous operating voltage U_C | 200 V DC |
| Rated current | 150 mA (25 °C) |
| Operating effective current I_C at U_C | $\leq 150 \mu A$ |
| Standby power consumption P_C | $\leq 1 VA$ |
| Protective conductor current I_{PE} | $\leq 2 \mu A$ |
| Insulation resistance R_{iso} | $\geq 1 M\Omega$ |
| | $\geq 1 G\Omega$ |
| Nominal discharge current I_n (8/20) μs (line-line) | 1 kA |
| Nominal discharge current I_n (8/20) μs (line-ground) | 2.5 kA |
| Total discharge current I_{Total} (8/20) μs | 10 kA |
| Max. discharge current I_{max} (8/20) μs | 2.5 kA |

MNT-TAE D/WH - Type 3 surge protection device



2882394

<https://www.phoenixcontact.com/us/products/2882394>

| | |
|---|---------------------------|
| Nominal pulse current I_{an} (10/1000) μ s (line-line) | 35 A |
| Nominal pulse current I_{an} (10/1000) μ s (line-earth) | 200 A |
| Output voltage limitation at 1 kV/ μ s (line-line) spike | ≤ 360 V |
| Output voltage limitation at 1 kV/ μ s (line-earth) spike | ≤ 900 V |
| Output voltage limitation at 1 kV/ μ s (line-line) static | ≤ 360 V |
| Residual voltage at I_n (conductor-conductor) | ≤ 500 V |
| Residual voltage at I_n (conductor-ground) | ≤ 30 V |
| Residual voltage with I_{an} (10/1000) μ s (line-line) | ≤ 35 V |
| Residual voltage with I_{an} (10/1000) μ s (line-earth) | ≤ 35 V |
| Voltage protection level U_p (line-line) | ≤ 460 V (C2 - 1 kA) |
| | ≤ 350 V (C3 - 25 A) |
| Voltage protection level U_p (line-earth) | ≤ 900 V (C2 - 2 kA) |
| | ≤ 900 V (C3 - 100 A) |
| Response time t_A (line-line) | ≤ 25 ns |
| Response time t_A (line-earth) | ≤ 100 ns |
| Cut-off frequency f_g (3 dB), sym. in 100 Ω system | typ. 4 MHz |
| Cut-off frequency f_g (3 dB), sym. in 150 Ω system | typ. 3 MHz |
| Cut-off frequency f_g (3 dB), sym. in 600 Ω system | typ. 700 kHz |
| Capacity (Core-Core) | typ. 1 nF |
| Capacity (Core-Earth) | typ. 5 pF |
| Alternating current carrying capacity (line-line) | 250 mA - 1 s |
| Alternating current carrying capacity (line-earth) | 10 A - 1 s |
| Pulse reset time (line-line) | ≤ 15 ms |

Environmental and real-life conditions

Ambient conditions

| | |
|---|-----------------------|
| Degree of protection | IP20 (Child-proofing) |
| Ambient temperature (operation) | -25 °C ... 75 °C |
| Ambient temperature (storage/transport) | -25 °C ... 75 °C |
| Altitude | ≤ 2000 m (amsl) |
| Permissible humidity (operation) | 5 % ... 95 % |

Standards and regulations

| | |
|--------------------------|--------------|
| Standards/specifications | IEC 61643-11 |
| Note | 2011 |
| Standards/specifications | EN 61643-11 |
| Note | 2019 |
| Standards/specifications | EN 61643-21 |
| Note | A2:2013 |
| Standards/specifications | IEC 61643-21 |
| Note | A2:2012 |

Mounting

| | |
|---------------|--------------------------------|
| Mounting type | Plugging into the mains socket |
|---------------|--------------------------------|

MNT-TAE D/WH - Type 3 surge protection device

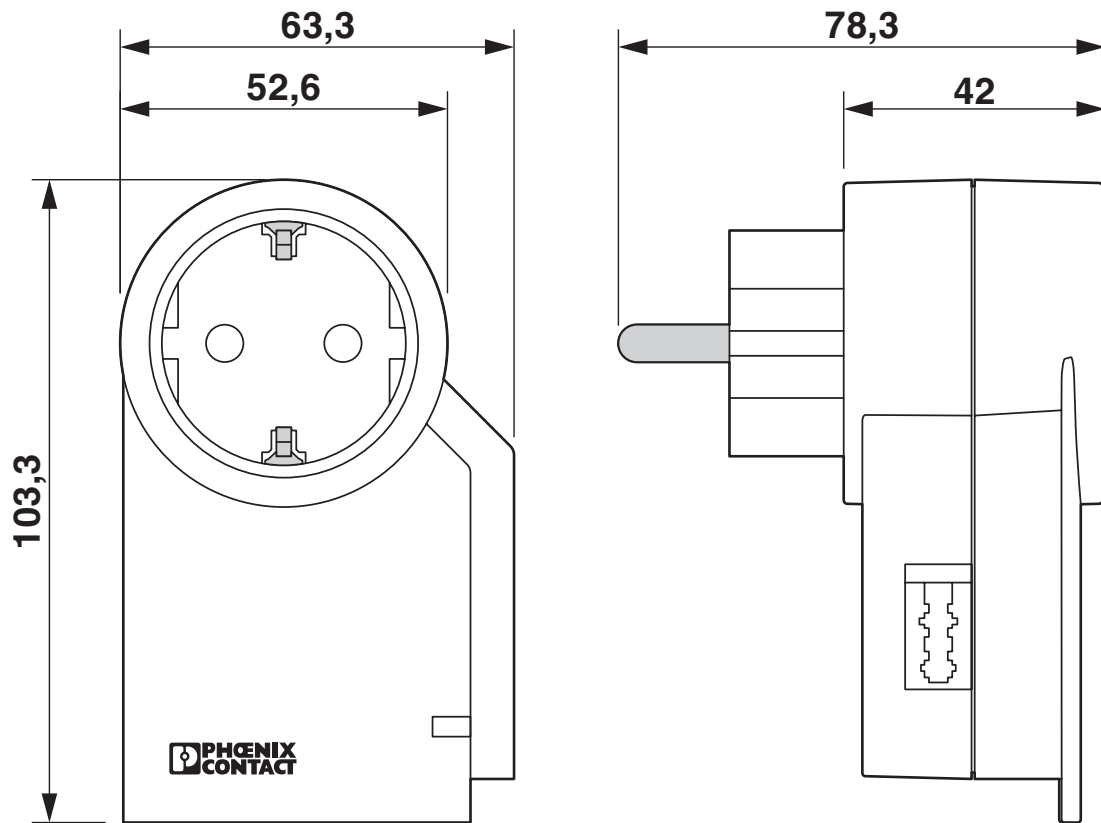


2882394

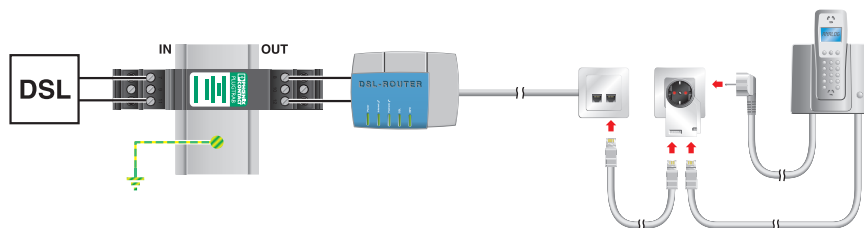
<https://www.phoenixcontact.com/us/products/2882394>

Drawings

Dimensional drawing



Application drawing

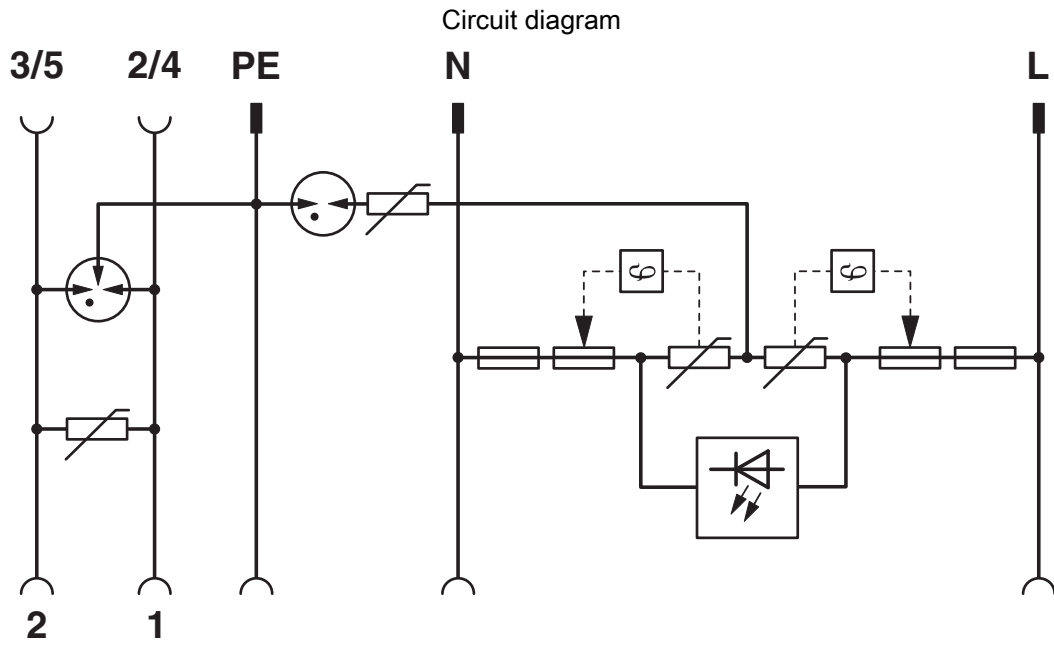


MNT-TAE D/WH - Type 3 surge protection device



2882394

<https://www.phoenixcontact.com/us/products/2882394>



MNT-TAE D/WH - Type 3 surge protection device



2882394

<https://www.phoenixcontact.com/us/products/2882394>

Classifications

ECLASS

ECLASS-13.0

27171602

ETIM

ETIM 9.0

EC001625

UNSPSC

UNSPSC 21.0

39121600

MNT-TAE D/WH - Type 3 surge protection device



2882394

<https://www.phoenixcontact.com/us/products/2882394>

Environmental product compliance

EU RoHS

| | |
|---|------|
| Fulfills EU RoHS substance requirements | Yes |
| Exemption | 6(c) |

China RoHS

| | |
|--|---|
| Environment friendly use period (EFUP) | EFUP-50 |
| | An article-related China RoHS declaration table can be found in the download area for the respective article under "Manufacturer declaration". For all articles with EFUP-E, no China RoHS declaration table issued and required. |

EU REACH SVHC

| | |
|-------------------------------------|---|
| REACH candidate substance (CAS No.) | Hexahydromethylphthalic anhydride(CAS: n/a) |
| | Lead(CAS: 7439-92-1) |
| SCIP | 02e938d3-30e0-4b69-b741-b1a84aa870dc |

Phoenix Contact 2026 © - all rights reserved
<https://www.phoenixcontact.com>

Phoenix Contact USA
586 Fulling Mill Road
Middletown, PA 17057, United States
(+717) 944-1300
info@phoenixcon.com