

# MNT-TV-SAT D - Type 3 surge protection device



2882284

<https://www.phoenixcontact.com/us/products/2882284>

Please be informed that the data shown in this PDF document is generated from our online catalog. Please find the complete data in the user documentation. Our general terms of use for downloads are valid.

Socket attachment plug with surge protection for the power supply unit and signal connection for radio and television equipment (cable, terrestrial antenna, satellite system). Cable is provided.



## Your advantages

- Optimal additional protection of the building installation for longer service life and increased availability of the end devices
- Industrial quality for residential buildings, thanks to compliance with international product standard
- Meets the most stringent safety requirements with thermal monitoring and additional fuses
- Ideal addition to the C-SAT surge protective device, direct end device protection

## Commercial data

Item number	2882284
Packing unit	1 pc
Minimum order quantity	1 pc
Note	Made to order (non-returnable)
Product key	CL1424
GTIN	4046356073516
Weight per piece (including packing)	314 g
Weight per piece (excluding packing)	314.6 g
Country of origin	DE

# MNT-TV-SAT D - Type 3 surge protection device



2882284

<https://www.phoenixcontact.com/us/products/2882284>

## Technical data

### Notes

#### General

Note	Shielding requirements according to DIN EN 50083-2, Class A
------	---

### Product properties

Product type	Device protection
Product family	MAINTRAB
IEC test classification	C2
	C3
	D1
IEC power supply system	TN
	TT
Type	Intermediate plug
Number of positions	2
For country-specific use in	D, A, NL, E, S, FIN, TR
Surge protection fault message	optical

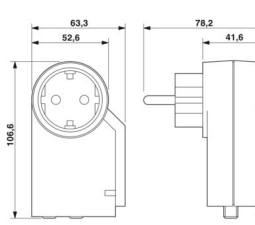
### Insulation characteristics

Overvoltage category	II
Pollution degree	2
IEC test classification	III
	T3
EN type	T3
Number of ports	One

### Connection data

Connection method	F connector
Connection method	Grounding plug/socket

### Dimensions

Dimensional drawing	
Width	63 mm
Height	107 mm
Depth	78 mm

### Material specifications

# MNT-TV-SAT D - Type 3 surge protection device



2882284

<https://www.phoenixcontact.com/us/products/2882284>

Color	black (RAL 9005)
	black (RAL 9005)
Flammability rating according to UL 94	V-0
CTI value of material	400
	600
Insulating material	PA 6
Housing material	PA 6

## Protective circuit

### Power supplies

Direction of action	L/N-PE & Signal Line-Shield-Earth Ground
Nominal voltage $U_N$	230/400 V AC (TN/TT)
Nominal frequency $f_N$	50 Hz (60 Hz)
Maximum continuous operating voltage $U_C$ (L-N)	275 V AC
Maximum continuous operating voltage $U_C$ (L-PE)	360 V AC
Maximum continuous operating voltage $U_C$ (N-PE)	360 V AC
Rated load current $I_L$	16 A (30 °C)
Protective conductor current $I_{PE}$	$\leq 5 \mu A$
Standby power consumption $P_C$	$\leq 1 VA$
Reference test voltage $U_{REF}$	255 V AC
Combination wave $U_{OC}$	6 kV
Voltage protection level $U_p$	$\leq 1.5 kV$
TOV behavior at $U_T$ (L-N)	460 V AC (5 s / withstand mode)
	460 V AC (120 min / safe failure mode)
TOV behavior at $U_T$ (L-PE)	460 V AC (5 s / withstand mode)
	460 V AC (120 min / withstand mode)
	1455 V AC (200 ms / safe failure mode)
TOV behavior at $U_T$ (N-PE)	1200 V AC (200 ms / safe failure mode)
Response time $t_A$ (L-N)	$\leq 25 ns$
Response time $t_A$ (L-PE)	$\leq 100 ns$
Response time $t_A$ (N-PE)	$\leq 100 ns$
Max. required back-up fuse	16 A (gG / B / C)
Short-circuit current rating $I_{SCCR}$	1.5 kA AC

### Information technology

Maximum continuous operating voltage $U_C$	24 V DC
Rated current	1.5 A (25 °C)
Operating effective current $I_C$ at $U_C$	$\leq 1 \mu A$
Standby power consumption $P_C$	$\leq 1 VA$
Protective conductor current $I_{PE}$	$\leq 1 \mu A$
Insulation resistance $R_{iso}$	$\geq 70 M\Omega$
	$\geq 70 M\Omega$
Nominal discharge current $I_n$ (8/20) $\mu s$ (line-ground)	2.5 kA
Nominal discharge current $I_n$ (8/20) $\mu s$ (line-shield)	2.5 kA

# MNT-TV-SAT D - Type 3 surge protection device



2882284

<https://www.phoenixcontact.com/us/products/2882284>

Nominal discharge current $I_n$ (8/20) $\mu$ s (shield-ground)	5 kA
Total discharge current $I_{Total}$ (8/20) $\mu$ s	5 kA
Nominal pulse current $I_{an}$ (10/1000) $\mu$ s (line-shield)	120 A
Nominal pulse current $I_{an}$ (10/1000) $\mu$ s (shield-ground)	200 A
Output voltage limitation at 1 kV/ $\mu$ s (line-shield) spike	$\leq$ 700 V
Output voltage limitation at 1 kV/ $\mu$ s (shield-ground) spike	$\leq$ 1 kV
Output voltage limitation at 1 kV/ $\mu$ s (line-shield) static	$\leq$ 700 V
Output voltage limitation at 1 kV/ $\mu$ s (shield-ground) static	$\leq$ 1 kV
Residual voltage at $I_n$ (conductor-shield)	$\leq$ 40 V
Residual voltage at $I_n$ (shield-ground)	$\leq$ 50 V
Voltage protection level $U_p$ (line-shield)	$\leq$ 700 V (C2 - 2 kA)
Voltage protection level $U_p$ (shield-ground)	$\leq$ 1.2 kV (C2 - 5 kA)
Response time $t_A$ (line-shield)	$\leq$ 100 ns
Response time $t_A$ (shield-ground)	$\leq$ 100 ns
Input attenuation $a_E$ , asym.	typ. 0.3 dB ( $\leq$ 2.4 GHz / 75 $\Omega$ )
Cut-off frequency $f_g$ (3 dB), asym. (shield) in 75 $\Omega$ system	typ. 2.5 GHz
Frequency range	0 Hz ... 2400 MHz
Capacity asymmetrical (shield)	typ. 10 pF
Alternating current carrying capacity (line-shield)	5 A - 1 s
Alternating current carrying capacity (shield-ground)	10 A - 1 s
Pulse reset time (line-shield)	$\leq$ 4 s

## Environmental and real-life conditions

### Ambient conditions

Degree of protection	IP20 (Child-proofing)
Ambient temperature (operation)	-25 °C ... 75 °C
Ambient temperature (storage/transport)	-25 °C ... 75 °C
Altitude	$\leq$ 2000 m (amsl)
Permissible humidity (operation)	5 % ... 95 %

## Standards and regulations

Standards/specifications	IEC 61643-11
Note	2011
Standards/specifications	EN 61643-11
Note	2019
Standards/specifications	EN 61643-21
Note	A2:2013
Standards/specifications	IEC 61643-21
Note	A2:2012
Standards/specifications	EN 50083
Note	CLASS-A

## Mounting

Mounting type	Plugging into the mains socket
---------------	--------------------------------

# MNT-TV-SAT D - Type 3 surge protection device

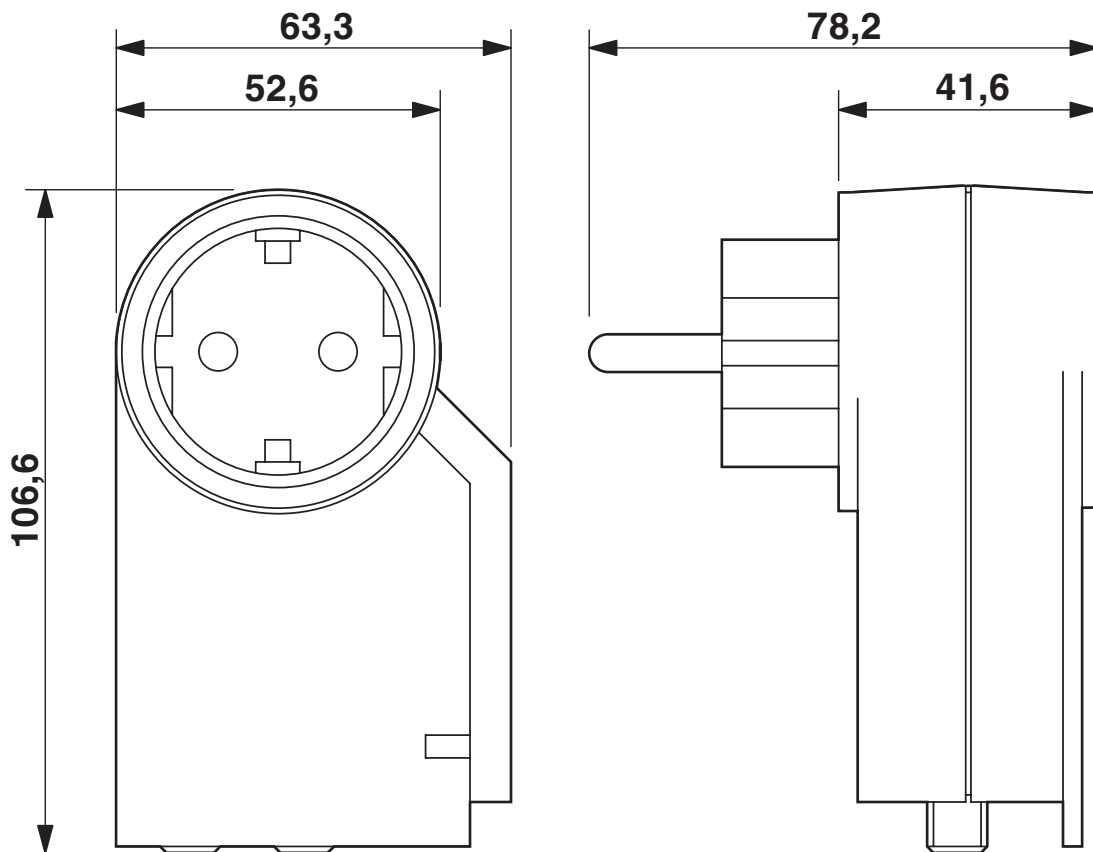


2882284

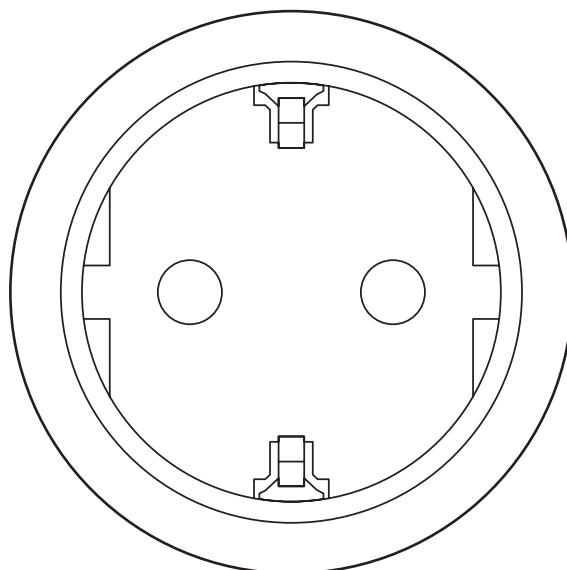
<https://www.phoenixcontact.com/us/products/2882284>

## Drawings

Dimensional drawing



Product drawing

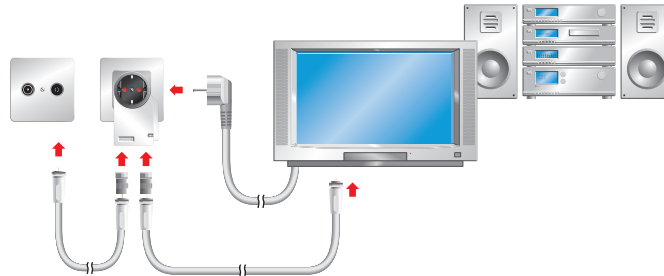


# MNT-TV-SAT D - Type 3 surge protection device

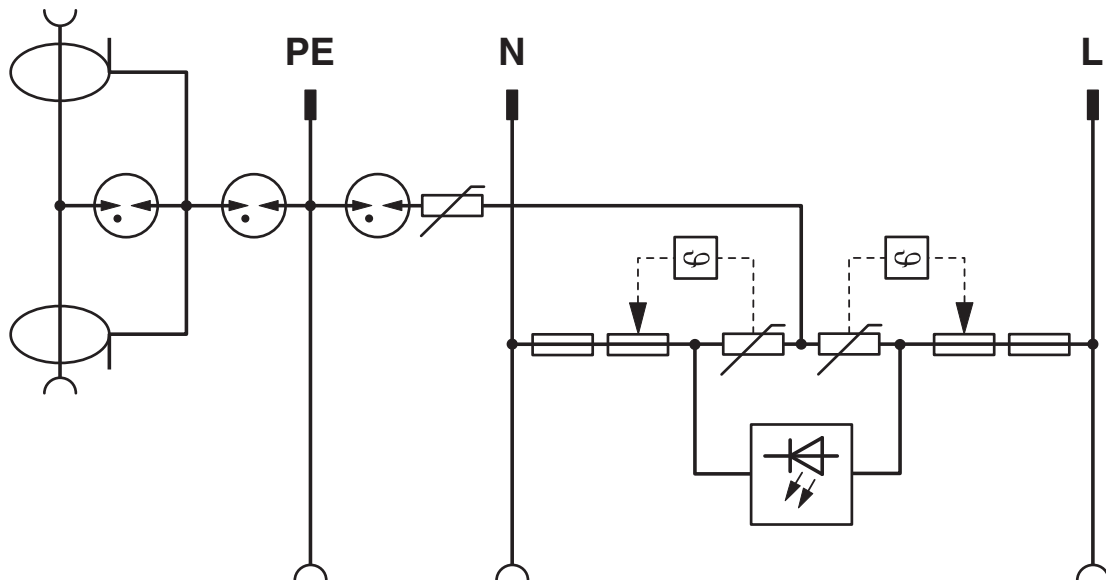
2882284

<https://www.phoenixcontact.com/us/products/2882284>

Application drawing



Circuit diagram



# MNT-TV-SAT D - Type 3 surge protection device



2882284

<https://www.phoenixcontact.com/us/products/2882284>

## Classifications

### ECLASS

ECLASS-13.0

27171603

### ETIM

ETIM 9.0

EC001625

### UNSPSC

UNSPSC 21.0

39121600

# MNT-TV-SAT D - Type 3 surge protection device



2882284

<https://www.phoenixcontact.com/us/products/2882284>

## Environmental product compliance

### EU RoHS

Fulfills EU RoHS substance requirements	Yes
Exemption	6(c)

### China RoHS

Environment friendly use period (EFUP)	EFUP-50
	An article-related China RoHS declaration table can be found in the download area for the respective article under "Manufacturer declaration". For all articles with EFUP-E, no China RoHS declaration table issued and required.

### EU REACH SVHC

REACH candidate substance (CAS No.)	Hexahydromethylphthalic anhydride(CAS: n/a)
	Lead(CAS: 7439-92-1)
SCIP	8d16a065-7bc6-4224-9fab-0191fcd4b0ee

Phoenix Contact 2026 © - all rights reserved  
<https://www.phoenixcontact.com>

Phoenix Contact USA  
586 Fulling Mill Road  
Middletown, PA 17057, United States  
(+717) 944-1300  
[info@phoenixcon.com](mailto:info@phoenixcon.com)