

MNT-1 CH II - Type 3 surge protection device



2882255

<https://www.phoenixcontact.com/us/products/2882255>

Please be informed that the data shown in this PDF document is generated from our online catalog. Please find the complete data in the user documentation. Our general terms of use for downloads are valid.



Attachment plug with surge protection for mains sockets, optical power and error display.
Country-specific version: CH

Commercial data

Item number	2882255
Packing unit	1 pc
Minimum order quantity	1 pc
Note	Made to order (non-returnable)
Product key	CL1421
GTIN	4046356143547
Weight per piece (including packing)	113 g
Weight per piece (excluding packing)	97.35 g
Country of origin	DE

MNT-1 CH II - Type 3 surge protection device

2882255

<https://www.phoenixcontact.com/us/products/2882255>

Technical data

Product properties

Product type	Device protection
Product family	MAINTRAB
IEC power supply system	TN
	TT
Type	Intermediate plug
For country-specific use in	CH
Surge protection fault message	optical

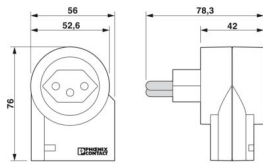
Insulation characteristics

Overvoltage category	III
Pollution degree	2
IEC test classification	III
	T3
EN type	T3
Number of ports	One

Connection data

Connection method	Grounding plug/socket
-------------------	-----------------------

Dimensions

Dimensional drawing	
Width	56 mm
Height	76 mm
Depth	79 mm

Material specifications

Color	black (RAL 9005)
Flammability rating according to UL 94	V-0
CTI value of material	400
	600
Insulating material	PA 6
Housing material	PA 6

Protective circuit

Mode of protection	L-N
	L-PE

MNT-1 CH II - Type 3 surge protection device



2882255

<https://www.phoenixcontact.com/us/products/2882255>

	N-PE
Direction of action	L(N)-PE
Nominal voltage U_N	230/400 V AC (TN)
Nominal frequency f_N	50 Hz (60 Hz)
Maximum continuous operating voltage U_C (L-N)	275 V AC
Maximum continuous operating voltage U_C (L-PE)	360 V AC
Maximum continuous operating voltage U_C (N-PE)	360 V AC
Rated load current I_L	16 A (30 °C)
Protective conductor current I_{PE}	$\leq 5 \mu\text{A}$
Standby power consumption P_C	$\leq 1 \text{ VA}$
Reference test voltage U_{REF}	255 V AC
Combination wave U_{OC}	6 kV
Energy absorption symmetrical	140 J (L-N (L))
Energy absorption, asymmetrical	220 J (L(N)-PE)
Voltage protection level U_p	$\leq 1.5 \text{ kV}$
TOV behavior at U_T (L-N)	460 V AC (5 s / withstand mode) 460 V AC (120 min / safe failure mode)
TOV behavior at U_T (L-PE)	460 V AC (5 s / withstand mode) 460 V AC (120 min / withstand mode) 1455 V AC (200 ms / safe failure mode)
TOV behavior at U_T (N-PE)	1200 V AC (200 ms / safe failure mode)
Response time t_A (L-N)	$\leq 25 \text{ ns}$
Response time t_A (L-PE)	$\leq 100 \text{ ns}$
Response time t_A (N-PE)	$\leq 100 \text{ ns}$
Max. required back-up fuse	16 A (gG / B / C)
Short-circuit current rating I_{SCCR}	1.5 kA AC

Environmental and real-life conditions

Ambient conditions

Degree of protection	IP20 (Child-proofing)
Ambient temperature (operation)	-25 °C ... 75 °C
Ambient temperature (storage/transport)	-25 °C ... 75 °C
Altitude	$\leq 2000 \text{ m (amsl)}$
Permissible humidity (operation)	5 % ... 95 %

Standards and regulations

Air clearances and creepage distances

Standards/regulations	EN 60664-1 / IEC 60664-1 / IEC 61643-1 / EN 61643-11
Standards/specifications	IEC 61643-11
Note	2011
Standards/specifications	EN 61643-11
Note	2012

MNT-1 CH II - Type 3 surge protection device



2882255

<https://www.phoenixcontact.com/us/products/2882255>

Mounting

Mounting type

Plugging into the mains socket

MNT-1 CH II - Type 3 surge protection device

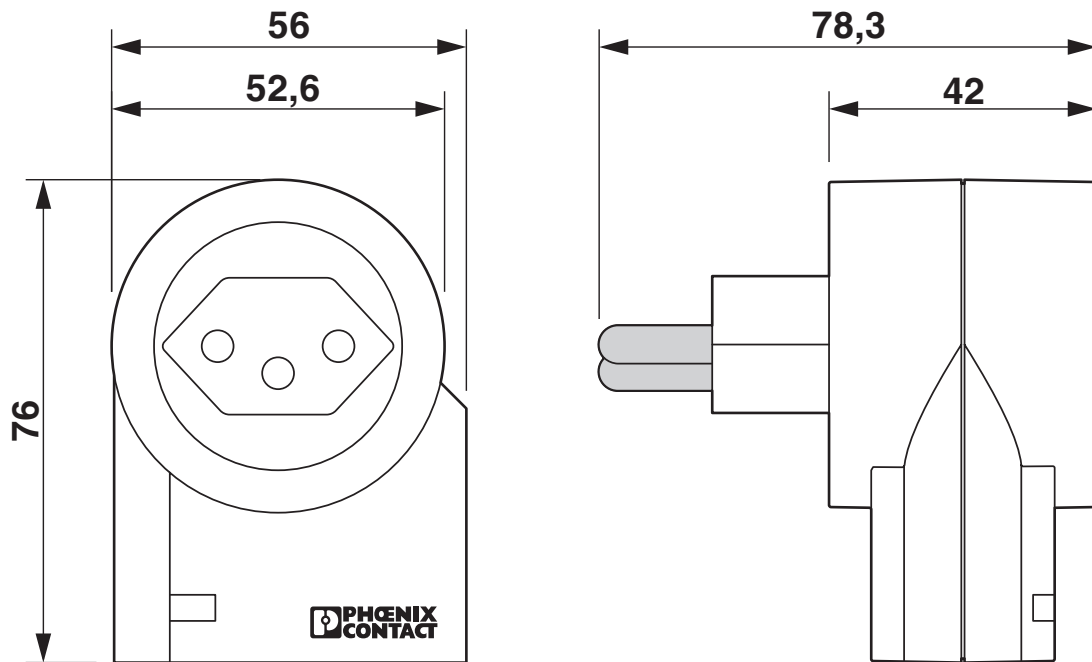


2882255

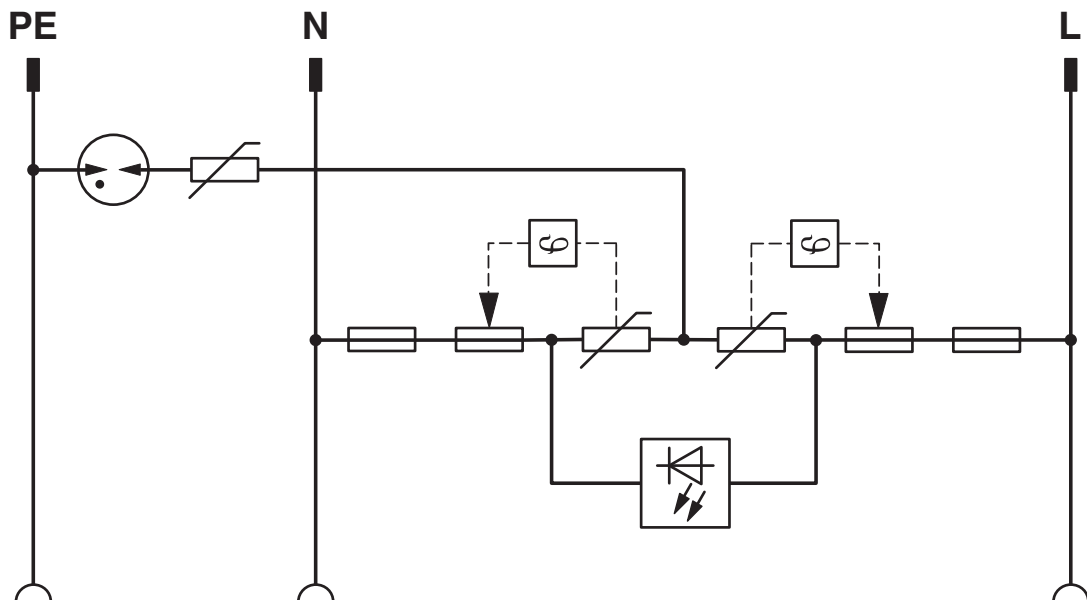
<https://www.phoenixcontact.com/us/products/2882255>

Drawings

Dimensional drawing



Circuit diagram



MNT-1 CH II - Type 3 surge protection device



2882255

<https://www.phoenixcontact.com/us/products/2882255>

Classifications

ECLASS

ECLASS-13.0	27171203
ECLASS-15.0	27171203

ETIM

ETIM 10.0	EC000942
-----------	----------

UNSPSC

UNSPSC 21.0	39121620
-------------	----------

MNT-1 CH II - Type 3 surge protection device



2882255

<https://www.phoenixcontact.com/us/products/2882255>

Environmental product compliance

EU RoHS

Fulfills EU RoHS substance requirements	Yes
Exemption	6(c), 7(c)-I

China RoHS

Environment friendly use period (EFUP)	EFUP-50
	An article-related China RoHS declaration table can be found in the download area for the respective article under "Manufacturer declaration". For all articles with EFUP-E, no China RoHS declaration table issued and required.

EU REACH SVHC

REACH candidate substance (CAS No.)	Hexahydromethylphthalic anhydride(CAS: n/a)
	Lead(CAS: 7439-92-1)
SCIP	25219964-fb1c-46c8-a002-9db7cc5f172f

Phoenix Contact 2026 © - all rights reserved
<https://www.phoenixcontact.com>

Phoenix Contact USA
586 Fulling Mill Road
Middletown, PA 17057, United States
(+717) 944-1300
info@phoenixcon.com