

IB IL SGI 2/F-2MBD-PAC - Analog module



2878735

<https://www.phoenixcontact.com/us/products/2878735>

Please be informed that the data shown in this PDF document is generated from our online catalog. Please find the complete data in the user documentation. Our general terms of use for downloads are valid.



Inline, Strain gauge measurement terminal, transmission speed in the local bus: 2 Mbps, 2 fast inputs, 4-, 6-conductor connection technology, degree of protection: IP20, including Inline connectors and marking fields

Product description

Inline terminals with "2 MBD" added to their item designation work with a transmission speed of 2 Mbps. These terminal blocks are discontinued or no longer in the range. If you require this transmission speed, please ask your local Phoenix Contact representative. If you can work with a transmission speed of 500 kbps, select as a replacement the corresponding variant that does not have "2MBD" added to its item designation. Please note that a uniform transmission speed must always be used within one inline station.

Your advantages

- 2 fast inputs for strain gauge
- Connection of strain gauges in 6- and 4-conductor technology
- Sensor supply voltage provided by the terminal, no external power supply required
- Communication either via process data or parameter channel (PCP)
- The channels are parameterized independently of one another via the bus system
- Bus-synchronous process data update
- Diagnostic and status indicators

Commercial data

Item number	2878735
Packing unit	1 pc
Minimum order quantity	1 pc
Sales key	DR01
Product key	DRI144
GTIN	4017918996437
Weight per piece (including packing)	226.4 g
Weight per piece (excluding packing)	190 g
Customs tariff number	85389091
Country of origin	DE

IB IL SGI 2/F-2MBD-PAC - Analog module

2878735

<https://www.phoenixcontact.com/us/products/2878735>

Technical data

Dimensions

Dimensional drawing	
Width	48.8 mm
Height	136 mm
Depth	71.5 mm

Notes

Note on application

Note on application	Only for industrial use
---------------------	-------------------------

Material specifications

Color (Housing)	green (RAL 6021)
-----------------	------------------

Interfaces

Inline local bus

Number of interfaces	2
Connection method	Inline data jumper
Transmission speed	2 Mbps
Transmission physics	Copper

System properties

Programming data (LocalbusSlave)

Length code (hex)	03
ID code (dec.)	223
Length code (dec)	03
Process data channel	48 bit
Input address area	6 Byte
Output address area	6 Byte
Parameter channel (PCP)	2 Byte
Register length (bus)	32 bit

Fieldbus data telegram

Required parameter data	15 Byte
Required configuration data	5 Byte

Input data

Analog

Description of the input	Input channels for strain gauge
Number of inputs	2
Connection technology	6 or 4-wire, twisted pair shielded cable
Bridge difference U_d	Measuring range specified by selecting the characteristic and the bridge voltage
Bridge voltage U_0	3.3 V
	5 V
Measured value representation	15 bit + sign bit
Characteristics	± 1 mV/V, ± 2 mV/V, ± 3 mV/V, ± 4 mV/V
	+1 mV/V, +2 mV/V, +3 mV/V, +4 mV/V

Output data

Analog

Output description	Voltage output
Number of outputs	2
Impedance	> 58.3 Ω (typical; permissible total resistance of the strain gauge)
Output voltage	5 V
	3.3 V
Output current	typ. 55 mA (with $U_V = 3.3$ V)
	typ. 85 mA (with $U_V = 5$ V)

Product properties

Product type	I/O component
Product family	Inline
Type	modular
Scope of supply	including Inline connectors and marking fields
Operating mode	Process data operation with 3 words, PCP with 1 word
Special properties	2 fast inputs
	4-, 6-conductor connection technology
Diagnostics messages	Failure of the power supply at U_{ANA} Error message in the process data
	Failure of or insufficient communications power U_L I/O error message sent to the bus coupler
	I/O error Error message in the process data

Electrical properties

Maximum power dissipation for nominal condition	1.25 W
---	--------

Potentials: Communications power (U_L)

Supply voltage	7.5 V DC (via voltage jumper)
Current draw	max. 110 mA
	typ. 100 mA

Potentials: Supply of analog modules (U_{ANA})

IB IL SGI 2/F-2MBD-PAC - Analog module



2878735

<https://www.phoenixcontact.com/us/products/2878735>

Supply voltage	24 V DC (via voltage jumper)
Supply voltage range	19.2 V DC ... 30 V DC (including all tolerances, including ripple)
Current draw	typ. 32 mA (with maximum load of 58.3 Ω when $U_V = 5$ V) typ. 8 mA (without strain gauge)

Electrical isolation/isolation of the voltage ranges

Test voltage: Logic/analog I/O (digital isolator)	500 V AC, 50 Hz, 1 min
Test voltage: Functional ground/analog I/O (isolating distance)	500 V AC, 50 Hz, 1 min
Test voltage: Logic/functional ground (isolating distance)	500 V AC, 50 Hz, 1 min

Connection data

Connection technology

Connection name	Inline connector
-----------------	------------------

Inline connector

Connection method	Spring-cage connection
Conductor cross-section, rigid	0.08 mm ² ... 1.5 mm ²
Conductor cross-section, flexible	0.08 mm ² ... 1.5 mm ²
Conductor cross-section AWG	28 ... 16
Stripping length	8 mm

Environmental and real-life conditions

Ambient conditions

Ambient temperature (operation)	-25 °C ... 55 °C
Degree of protection	IP20
Air pressure (operation)	70 kPa ... 106 kPa (up to 3000 m above sea level)
Air pressure (storage/transport)	70 kPa ... 106 kPa (up to 3000 m above sea level)
Ambient temperature (storage/transport)	-25 °C ... 85 °C
Permissible humidity (operation)	10 % ... 95 % (non-condensing)
Permissible humidity (storage/transport)	10 % ... 95 % (non-condensing)

Standards and regulations

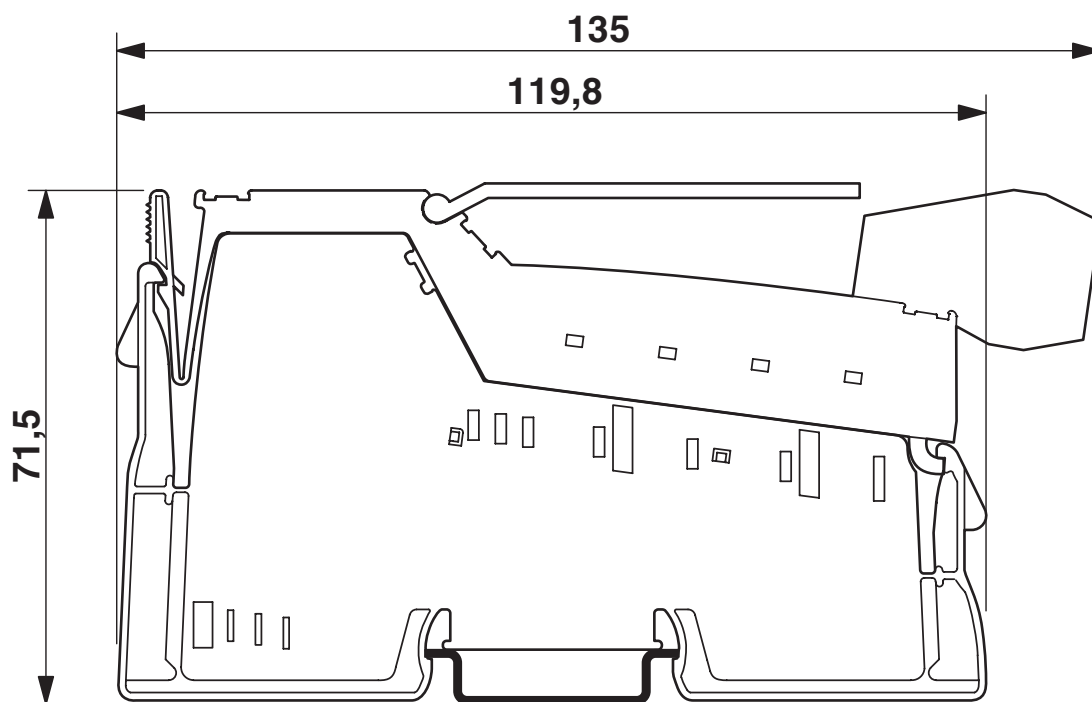
Protection class	III (IEC 61140, EN 61140, VDE 0140-1)
------------------	---------------------------------------

Mounting

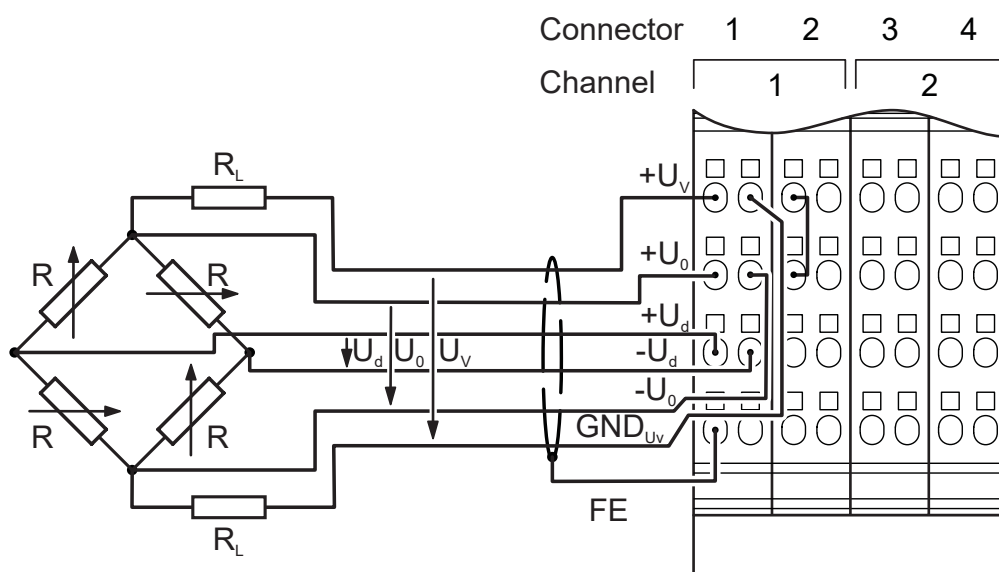
Mounting type	DIN rail mounting
---------------	-------------------

Drawings

Dimensional drawing



Connection diagram



IB IL SGI 2/F-2MBD-PAC - Analog module



2878735

<https://www.phoenixcontact.com/us/products/2878735>

Approvals

To download certificates, visit the product detail page: <https://www.phoenixcontact.com/us/products/2878735>



cULus Recognized

Approval ID: E140324



cULus Listed

Approval ID: E199827

IB IL SGI 2/F-2MBD-PAC - Analog module



2878735

<https://www.phoenixcontact.com/us/products/2878735>

Classifications

ECLASS

ECLASS-13.0	27242601
ECLASS-15.0	27242601

ETIM

ETIM 10.0	EC001596
-----------	----------

UNSPSC

UNSPSC 21.0	32151600
-------------	----------

2878735

<https://www.phoenixcontact.com/us/products/2878735>

Environmental product compliance

EU RoHS

Fulfills EU RoHS substance requirements	Yes
Exemption	7(a), 7(c)-I

China RoHS

Environment friendly use period (EFUP)	EFUP-50
	An article-related China RoHS declaration table can be found in the download area for the respective article under "Manufacturer declaration". For all articles with EFUP-E, no China RoHS declaration table issued and required.

EU REACH SVHC

REACH candidate substance (CAS No.)	Lead(CAS: 7439-92-1)
SCIP	d61a25cb-640e-46a5-86e1-3d383d564322

EF3.1 Climate Change

CO2e kg	7.274 kg CO2e
---------	---------------

Phoenix Contact 2026 © - all rights reserved
<https://www.phoenixcontact.com>

Phoenix Contact USA
586 Fulling Mill Road
Middletown, PA 17057, United States
(+717) 944-1300
info@phoenixcon.com