

# IL SC BK-PAC - Bus coupler

2878719

<https://www.phoenixcontact.com/us/products/2878719>

Please be informed that the data shown in this PDF document is generated from our online catalog. Please find the complete data in the user documentation. Our general terms of use for downloads are valid.

Sercos bus coupler for Inline, 24 V DC, complete with accessories (plug and labeling field)



## Commercial data

Item number	2878719
Packing unit	1 pc
Note	Made to order (non-returnable)
Sales key	NULL
Product key	DRI117
GTIN	4046356048606
Weight per piece (including packing)	300.2 g
Weight per piece (excluding packing)	300.2 g
Customs tariff number	85389091
Country of origin	DE

# IL SC BK-PAC - Bus coupler

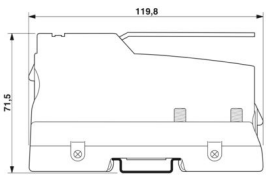


2878719

<https://www.phoenixcontact.com/us/products/2878719>

## Technical data

### Dimensions

Dimensional drawing	
Width	85 mm
Height	119.8 mm
Depth	71.5 mm
Note on dimensions	Specifications with connectors

### Material specifications

Color	green
-------	-------

### Interfaces

#### Sercos II

No. of channels	2
Connection method	F-SMA connector
Transmission speed	16 Mbps, 8 Mbps, 4 Mbps, 2 Mbps

#### Inline local bus

No. of channels	2
Connection method	Inline data jumper
Transmission physics	FO

#### Supply

Connection method	8-pos. Inline power connector
-------------------	-------------------------------

#### Fieldbus: Local bus gateway

Max. number of local bus devices	40
----------------------------------	----

### System properties

#### System limits

Number of local bus devices that can be connected	max. 40
Number of devices with parameter channel	max. 0
Number of supported branch terminals with remote bus branch	0

#### Module

ID code (hex)	none
---------------	------

### Product properties

Product type	I/O component
Product family	Inline
Type	modular

## Electrical properties

Potentials: Bus coupler supply  $U_{BK}$ ; Communications power  $U_L$  (7.5 V) and the analog supply  $U_{ANA}$  (24 V) are generated from the bus coupler supply.

Supply voltage	24 V DC (via Inline connector)
Supply voltage range	19.2 V DC ... 30 V DC (including all tolerances, including ripple)
Current draw	max. 1.25 A (with max. number of connected I/O terminal blocks) min. 110 mA (no local bus devices connected)

Potentials: Communications power ( $U_L$ )

Supply voltage	7.5 V DC
Power supply	max. 2 A DC (observe derating)

Potentials: Supply of analog modules ( $U_{ANA}$ )

Supply voltage	24 V DC
Supply voltage range	19.2 V DC ... 30 V DC (including all tolerances, including ripple)
Power supply	max. 0.5 A DC (observe derating)

Potentials: Main circuit supply ( $U_M$ )

Supply voltage	24 V DC (via Inline connector)
Supply voltage range	19.2 V DC ... 30 V DC (including all tolerances, including ripple)
Power supply	max. 8 A DC (sum of $U_M + U_S$ )

Potentials: Segment circuit supply ( $U_S$ )

Supply voltage	24 V DC (via Inline connector)
Supply voltage range	19.2 V DC ... 30 V DC (including all tolerances, including ripple)
Power supply	max. 8 A DC (sum of $U_M + U_S$ )

## Connection data

Connection technology

Connection name	Inline connector
-----------------	------------------

Inline connector

Connection method	Spring-cage connection
Conductor cross-section, rigid	0.09 mm <sup>2</sup> ... 1.5 mm <sup>2</sup>
Conductor cross-section, flexible	0.09 mm <sup>2</sup> ... 1.5 mm <sup>2</sup>
Conductor cross-section AWG	28 ... 16

## Environmental and real-life conditions

Ambient conditions

Ambient temperature (operation)	5 °C ... 55 °C
Degree of protection	IP20

# IL SC BK-PAC - Bus coupler



2878719

<https://www.phoenixcontact.com/us/products/2878719>

Air pressure (operation)	80 kPa ... 106 kPa (up to 3000 m above sea level)
Air pressure (storage/transport)	70 kPa ... 106 kPa (up to 3000 m above sea level)
Ambient temperature (storage/transport)	-20 °C ... 70 °C
Permissible humidity (operation)	max. 85 % (non-condensing)
Permissible humidity (storage/transport)	max. 85 % (non-condensing)

## Mounting

Mounting type	DIN rail mounting
---------------	-------------------

# IL SC BK-PAC - Bus coupler

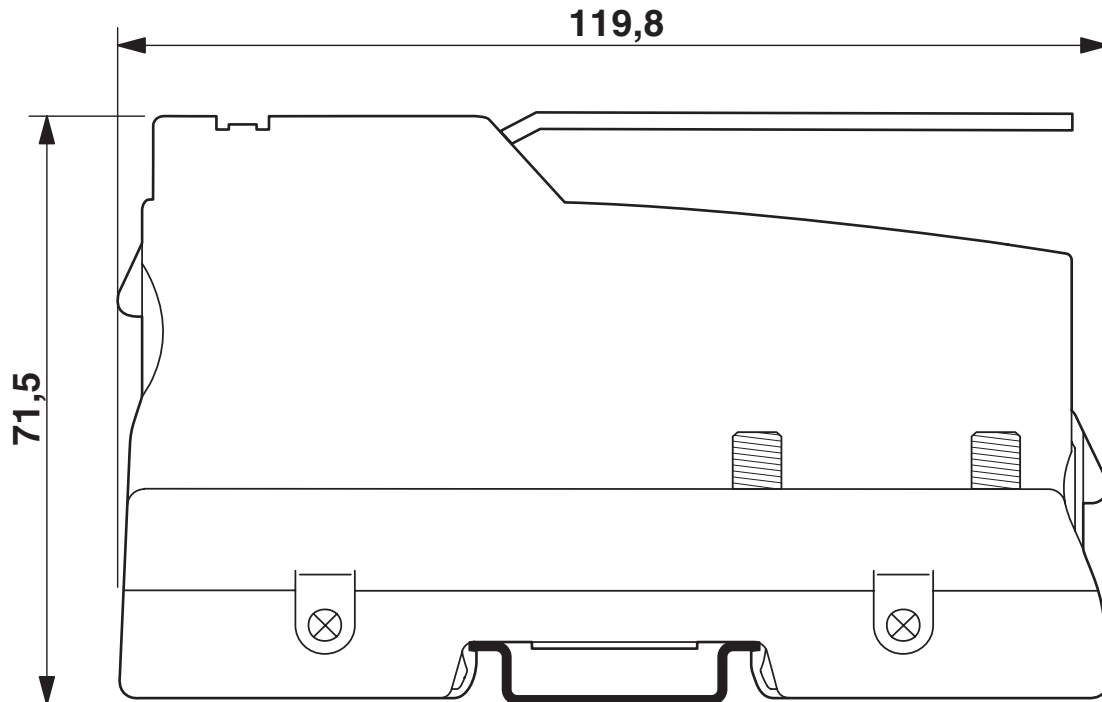
2878719

<https://www.phoenixcontact.com/us/products/2878719>

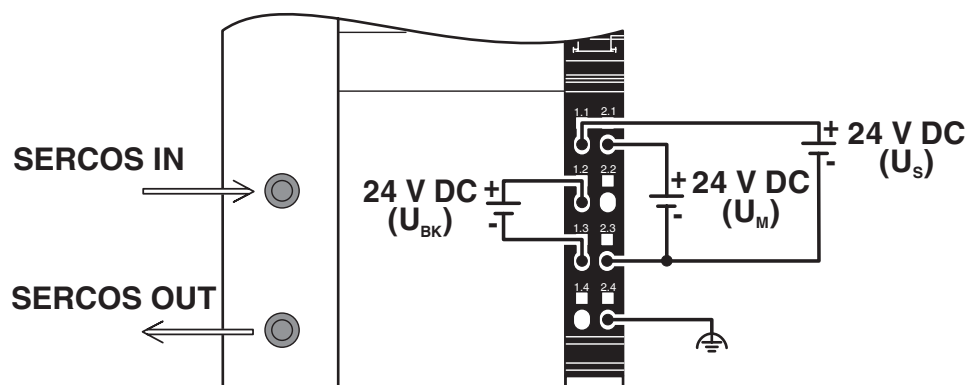


## Drawings

Dimensional drawing



Connection diagram



# IL SC BK-PAC - Bus coupler

2878719

<https://www.phoenixcontact.com/us/products/2878719>



## Environmental product compliance

EU REACH SVHC

REACH candidate substance (CAS No.)	No substance above 0.1 wt%
-------------------------------------	----------------------------

Phoenix Contact 2026 © - all rights reserved

<https://www.phoenixcontact.com>

Phoenix Contact USA  
586 Fulling Mill Road  
Middletown, PA 17057, United States  
(+717) 944-1300  
[info@phoenixcon.com](mailto:info@phoenixcon.com)