

ILB IB 24 DI16 DO16-DSUB - I/O module



2878625

<https://www.phoenixcontact.com/us/products/2878625>

Please be informed that the data shown in this PDF document is generated from our online catalog. Please find the complete data in the user documentation. Our general terms of use for downloads are valid.



Inline, Block IO, INTERBUS, D-SUB-9 female/D-SUB-9 male, Digital inputs: 16, 24 V DC, connection technology: 3-conductor, Digital outputs: 16, 24 V DC, connection technology: 3-conductor, degree of protection: IP20, including Inline connector

Your advantages

- 16 digital inputs
- Connection of sensors in 2- and 3-conductor technology
- Maximum permissible load current per sensor: 125 mA
- Maximum permissible load current from the terminal: 2 A
- 16 digital outputs
- Connection of actuators in 2- and 3-conductor technology
- Nominal current per output: 500 mA
- Total current of the terminal: 8 A
- Short-circuit and overload-protected outputs
- Diagnostic and status indicators

Commercial data

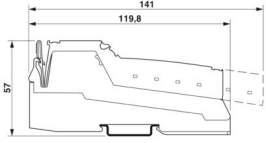
Item number	2878625
Packing unit	1 pc
Sales key	DR01
Product key	DRI1A1
GTIN	4046356048590
Weight per piece (including packing)	492.3 g
Weight per piece (excluding packing)	440 g
Customs tariff number	85389091
Country of origin	DE

2878625

<https://www.phoenixcontact.com/us/products/2878625>

Technical data

Dimensions

Dimensional drawing	
Width	156 mm
Height	141 mm
Depth	57 mm
Note on dimensions	Specifications with connectors

Material specifications

Color	green
-------	-------

Interfaces

INTERBUS

Connection method	D-SUB-9 female/D-SUB-9 male
Transmission speed	500 kbps

Input data

Digital:

Input name	Digital inputs
Description of the input	IEC 61131-2 type 1
Number of inputs	16
Connection method	Spring-cage connection
Connection technology	3-conductor
Nominal input voltage U_{IN}	24 V DC
Typical response time	approx. 500 μ s
Protective circuit	Short-circuit protection, overload protection of the sensor supply

Output data

Digital:

Output name	Digital outputs
Connection method	Spring-cage connection
Connection technology	3-conductor
Number of outputs	16
Protective circuit	Short-circuit and overload protection
Output voltage	24 V DC

ILB IB 24 DI16 DO16-DSUB - I/O module



2878625

<https://www.phoenixcontact.com/us/products/2878625>

Maximum output current per channel	500 mA
Nominal output voltage	24 V DC

Product properties

Product type	I/O component
Product family	Inline
Type	Block design
Scope of supply	including Inline connector
No. of channels	32

Electrical properties

Potentials: Communications power (U_L)

Supply voltage	24 V DC
Supply voltage range	19.2 V DC ... 30 V DC (including all tolerances, including ripple)
Power supply	max. 8 A
Current draw	80 mA

Potentials

Power supply	max. 8 A
Current draw	2 A

Potentials: Power supply to the actuator (U_{A1})

Supply voltage	24 V DC
Supply voltage range	19.2 V DC ... 30 V DC (including all tolerances, including ripple)
Power supply	max. 8 A
Current draw	4 A

Potentials: Power supply to the actuator (U_{A2})

Supply voltage	24 V DC
Supply voltage range	19.2 V DC ... 30 V DC (including all tolerances, including ripple)
Power supply	max. 8 A
Current draw	4 A

Potentials

Power supply	max. 8 A
Current draw	80 mA

Potentials

Power supply	max. 8 A
Current draw	2 A

Connection data

Connection technology

Connection name	Inline connector
-----------------	------------------

Inline connector

ILB IB 24 DI16 DO16-DSUB - I/O module



2878625

<https://www.phoenixcontact.com/us/products/2878625>

Connection method	Spring-cage connection
Conductor cross-section, rigid	0.08 mm ² ... 1.5 mm ²
Conductor cross-section, flexible	0.08 mm ² ... 1.5 mm ²
Conductor cross-section AWG	28 ... 16
Stripping length	8 mm

Environmental and real-life conditions

Ambient conditions

Ambient temperature (operation)	-25 °C ... 60 °C
Degree of protection	IP20
Air pressure (operation)	80 kPa ... 108 kPa (up to 2000 m above sea level)
Air pressure (storage/transport)	66 kPa ... 108 kPa (up to 3500 m above sea level)
Ambient temperature (storage/transport)	-25 °C ... 85 °C
Permissible humidity (operation)	max. 85 % (non-condensing)
Permissible humidity (storage/transport)	95 % (non-condensing)

Mechanical test

Vibration resistance in accordance with EN 60068-2-6/IEC 60068-2-6	5g
	25g
Shock in accordance with EN 60068-2-27/IEC 60068-2-27	25g

Standards and regulations

Protection class	III (IEC 61140, EN 61140, VDE 0140-1)
Noise emission	Class B (residential)

Mounting

Mounting type	NS 35/7,5
	DIN rail mounting

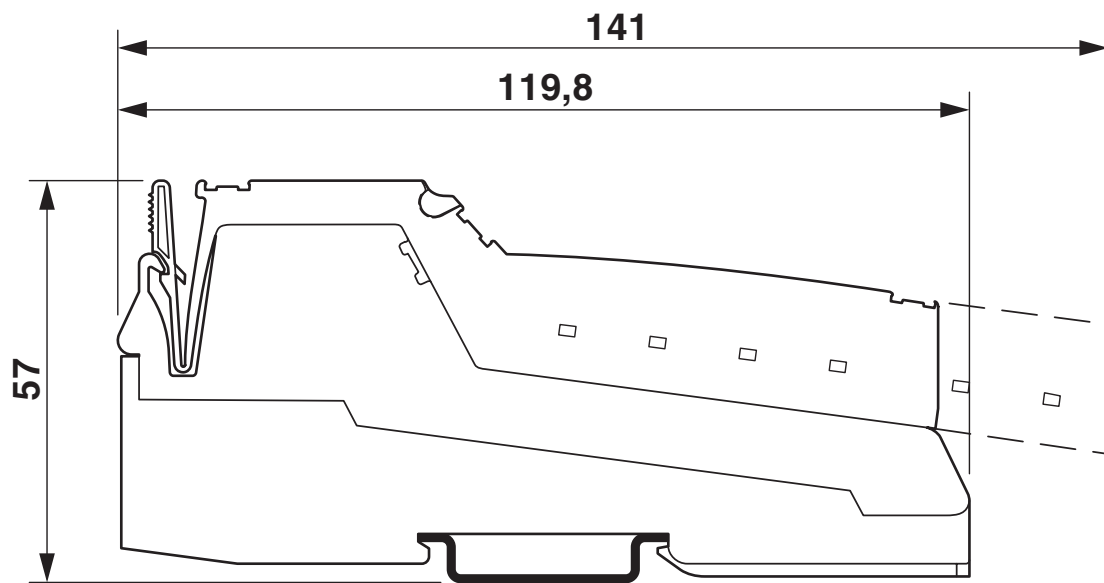
ILB IB 24 DI16 DO16-DSUB - I/O module

2878625

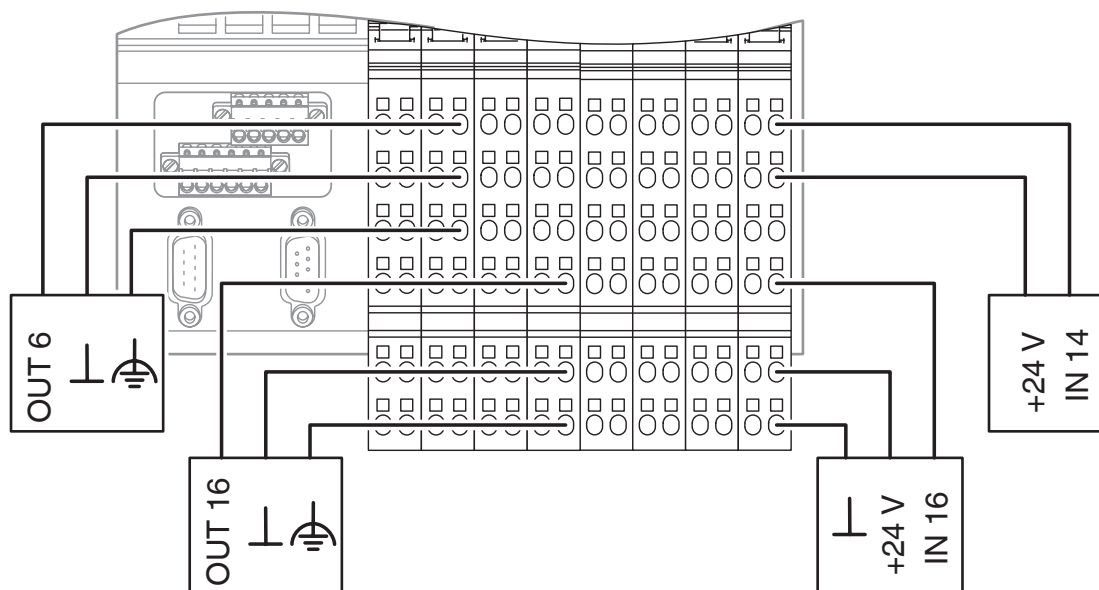
<https://www.phoenixcontact.com/us/products/2878625>

Drawings

Dimensional drawing



Connection diagram



ILB IB 24 DI16 DO16-DSUB - I/O module



2878625

<https://www.phoenixcontact.com/us/products/2878625>

Classifications

UNSPSC

UNSPSC 21.0	32151600
-------------	----------

2878625

<https://www.phoenixcontact.com/us/products/2878625>

Environmental product compliance

EU RoHS

Fulfills EU RoHS substance requirements	Yes
Exemption	7(a), 7(c)-I

China RoHS

Environment friendly use period (EFUP)	EFUP-E
	No hazardous substances above the limits

EU REACH SVHC

REACH candidate substance (CAS No.)	Lead(CAS: 7439-92-1)
-------------------------------------	----------------------

Phoenix Contact 2026 © - all rights reserved

<https://www.phoenixcontact.com>

Phoenix Contact USA
586 Fulling Mill Road
Middletown, PA 17057, United States
(+717) 944-1300
info@phoenixcon.com