

# ILB IB 24 DO16-DSUB - I/O module



2878528

<https://www.phoenixcontact.com/us/products/2878528>

Please be informed that the data shown in this PDF document is generated from our online catalog. Please find the complete data in the user documentation. Our general terms of use for downloads are valid.

Inline Block IO digital output module, INTERBUS, 16 outputs, 24 V DC, 500 mA, 2-, 3-conductor connection technology



## Commercial data

Item number	2878528
Packing unit	1 pc
Note	Made to order (non-returnable)
Sales key	NULL
Product key	DRI1A1
GTIN	4046356048583
Weight per piece (including packing)	320 g
Weight per piece (excluding packing)	264.46 g
Customs tariff number	85389091
Country of origin	DE

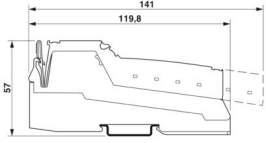
# ILB IB 24 DO16-DSUB - I/O module

2878528

<https://www.phoenixcontact.com/us/products/2878528>

## Technical data

### Dimensions

Dimensional drawing	
Width	95 mm
Height	141 mm
Depth	57 mm
Note on dimensions	Specifications with connectors

### Material specifications

Color	green
-------	-------

### Interfaces

#### INTERBUS

Connection method	D-SUB-9 female/D-SUB-9 male
Transmission speed	500 kbps

### Output data

#### Digital:

Output name	Digital outputs
Connection method	Spring-cage connection
Connection technology	2-, 3-conductor
Number of outputs	16
Protective circuit	Short-circuit and overload protection
Output voltage	24 V DC
Maximum output current per channel	500 mA

### Product properties

Product type	I/O component
Product family	Inline
Type	Block design
No. of channels	16

### Electrical properties

#### Potentials: Communications power ( $U_L$ )

Supply voltage	24 V DC
Supply voltage range	19.2 V DC ... 30 V DC (including all tolerances, including ripple)

# ILB IB 24 DO16-DSUB - I/O module



2878528

<https://www.phoenixcontact.com/us/products/2878528>

Power supply	max. 8 A
Current draw	70 mA

## Potentials: Power supply to the actuator (U<sub>A1</sub>)

Supply voltage	24 V DC
Supply voltage range	19.2 V DC ... 30 V DC (including all tolerances, including ripple)
Power supply	max. 8 A
Current draw	4 A

## Potentials: Power supply to the actuator (U<sub>A2</sub>)

Supply voltage	24 V DC
Supply voltage range	19.2 V DC ... 30 V DC (including all tolerances, including ripple)
Power supply	max. 8 A
Current draw	4 A

## Potentials

Power supply	max. 8 A
Current draw	70 mA

## Connection data

### Connection technology

Connection name	Inline connector
-----------------	------------------

### Inline connector

Connection method	Spring-cage connection
Conductor cross-section, rigid	0.08 mm <sup>2</sup> ... 1.5 mm <sup>2</sup>
Conductor cross-section, flexible	0.08 mm <sup>2</sup> ... 1.5 mm <sup>2</sup>
Conductor cross-section AWG	28 ... 16

## Environmental and real-life conditions

### Ambient conditions

Ambient temperature (operation)	-25 °C ... 60 °C
Degree of protection	IP20
Air pressure (operation)	80 kPa ... 108 kPa (up to 2000 m above sea level)
Air pressure (storage/transport)	66 kPa ... 108 kPa (up to 3500 m above sea level)
Ambient temperature (storage/transport)	-25 °C ... 85 °C
Permissible humidity (operation)	max. 85 % (non-condensing)
Permissible humidity (storage/transport)	95 % (non-condensing)

### Mechanical test

Vibration resistance in accordance with EN 60068-2-6/IEC 60068-2-6	5g
Shock in accordance with EN 60068-2-27/IEC 60068-2-27	25g
	25g

## Standards and regulations

# ILB IB 24 DO16-DSUB - I/O module



2878528

<https://www.phoenixcontact.com/us/products/2878528>

Protection class	III (IEC 61140, EN 61140, VDE 0140-1)
Noise emission	Class B (residential)

## Mounting

Mounting type	NS 35/7,5
	DIN rail mounting

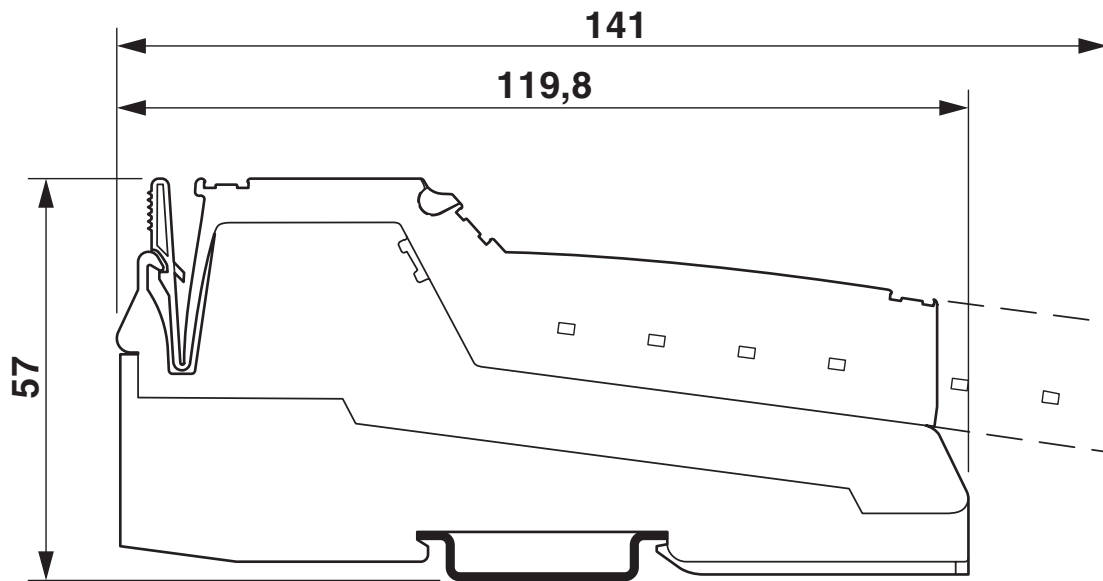
# ILB IB 24 DO16-DSUB - I/O module

2878528

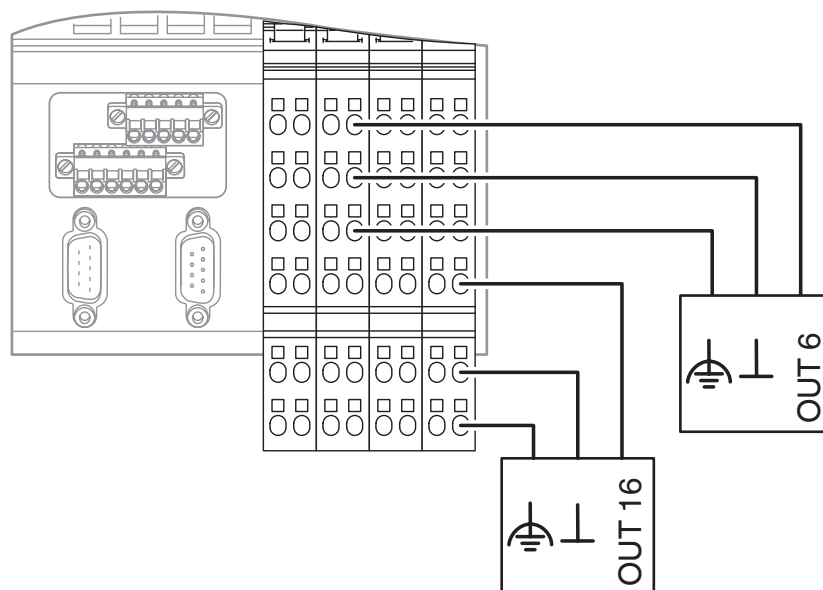
<https://www.phoenixcontact.com/us/products/2878528>

## Drawings

Dimensional drawing



Connection diagram



# ILB IB 24 DO16-DSUB - I/O module



2878528

<https://www.phoenixcontact.com/us/products/2878528>

## Environmental product compliance

EU REACH SVHC

REACH candidate substance (CAS No.)	No substance above 0.1 wt%
-------------------------------------	----------------------------

Phoenix Contact 2026 © - all rights reserved

<https://www.phoenixcontact.com>

Phoenix Contact USA  
586 Fulling Mill Road  
Middletown, PA 17057, United States  
(+717) 944-1300  
[info@phoenixcon.com](mailto:info@phoenixcon.com)