

ILB IB 24 DI16-DSUB - I/O module



2878421

<https://www.phoenixcontact.com/us/products/2878421>

Please be informed that the data shown in this PDF document is generated from our online catalog. Please find the complete data in the user documentation. Our general terms of use for downloads are valid.

Inline Block IO digital input module, INTERBUS, 16 inputs, 24 V DC, 2-, 3-conductor connection technology

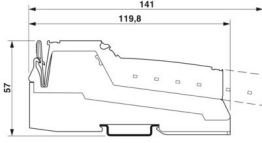


Commercial data

Item number	2878421
Packing unit	1 pc
Note	Made to order (non-returnable)
Sales key	NULL
Product key	DRI1A1
GTIN	4046356048569
Weight per piece (including packing)	319.1 g
Weight per piece (excluding packing)	263.56 g
Customs tariff number	85389091
Country of origin	DE

Technical data

Dimensions

Dimensional drawing	
Width	95 mm
Height	141 mm
Depth	57 mm
Note on dimensions	Specifications with connectors

Material specifications

Color	green
-------	-------

Interfaces

INTERBUS

Connection method	D-SUB-9 female/D-SUB-9 male
Transmission speed	500 kbps

Input data

Digital:

Input name	Digital inputs
Number of inputs	16 (IEC 61131-2 type 1)
Connection method	Spring-cage connection
Connection technology	2-, 3-conductor
Nominal input voltage U_{IN}	24 V DC
Typical response time	approx. 500 μ s
Protective circuit	Short-circuit protection, overload protection of the sensor supply

Product properties

Product type	I/O component
Product family	Inline
Type	Block design
No. of channels	16

Electrical properties

Potentials: Communications power (U_L)

Supply voltage	24 V DC
Supply voltage range	19.2 V DC ... 30 V DC (including all tolerances, including ripple)

ILB IB 24 DI16-DSUB - I/O module



2878421

<https://www.phoenixcontact.com/us/products/2878421>

Power supply	max. 8 A
Current draw	60 mA

Potentials: Sensor supply (U_S)

Supply voltage	24 V DC
Supply voltage range	19.2 V DC ... 30 V DC (including all tolerances, including ripple)
Power supply	max. 8 A
Current draw	2 A

Potentials

Power supply	max. 8 A
Current draw	60 mA

Potentials

Power supply	max. 8 A
Current draw	2 A

Connection data

Connection technology

Connection name	Inline connector
-----------------	------------------

Inline connector

Connection method	Spring-cage connection
Conductor cross-section, rigid	0.08 mm ² ... 1.5 mm ²
Conductor cross-section, flexible	0.08 mm ² ... 1.5 mm ²
Conductor cross-section AWG	28 ... 16

Environmental and real-life conditions

Ambient conditions

Ambient temperature (operation)	-25 °C ... 60 °C
Degree of protection	IP20
Air pressure (operation)	80 kPa ... 108 kPa (up to 2000 m above sea level)
Air pressure (storage/transport)	66 kPa ... 108 kPa (up to 3500 m above sea level)
Ambient temperature (storage/transport)	-25 °C ... 85 °C
Permissible humidity (operation)	max. 85 % (non-condensing)
Permissible humidity (storage/transport)	95 % (non-condensing)

Mechanical test

Vibration resistance in accordance with EN 60068-2-6/IEC 60068-2-6	5g
Shock in accordance with EN 60068-2-27/IEC 60068-2-27	25g 25g

Standards and regulations

Protection class	III (IEC 61140, EN 61140, VDE 0140-1)
Noise emission	Class B (residential)

ILB IB 24 DI16-DSUB - I/O module

2878421

<https://www.phoenixcontact.com/us/products/2878421>



Mounting

Mounting type	NS 35/7,5
	DIN rail mounting

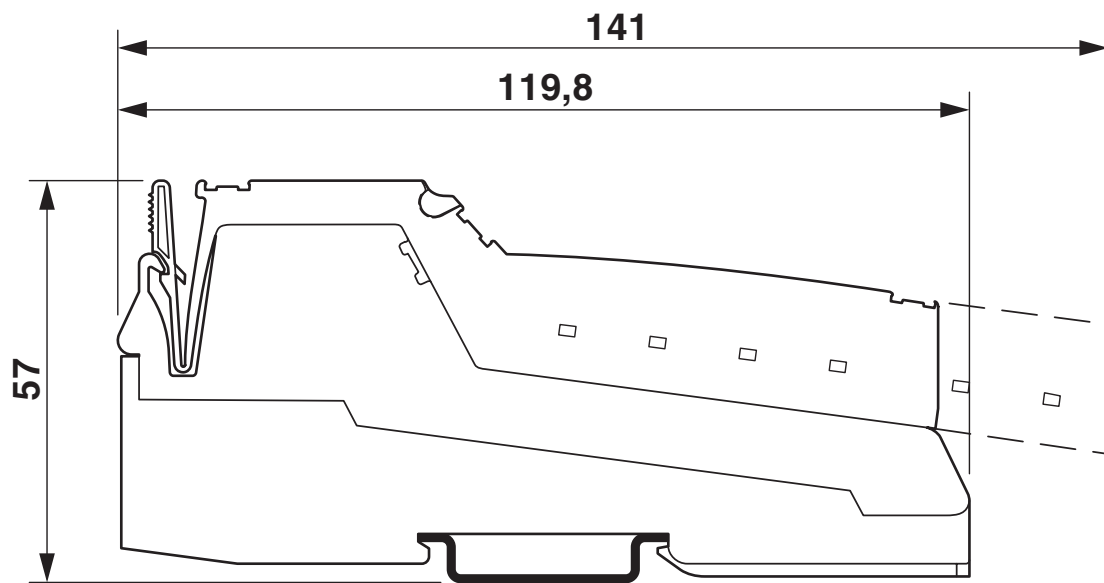
ILB IB 24 DI16-DSUB - I/O module

2878421

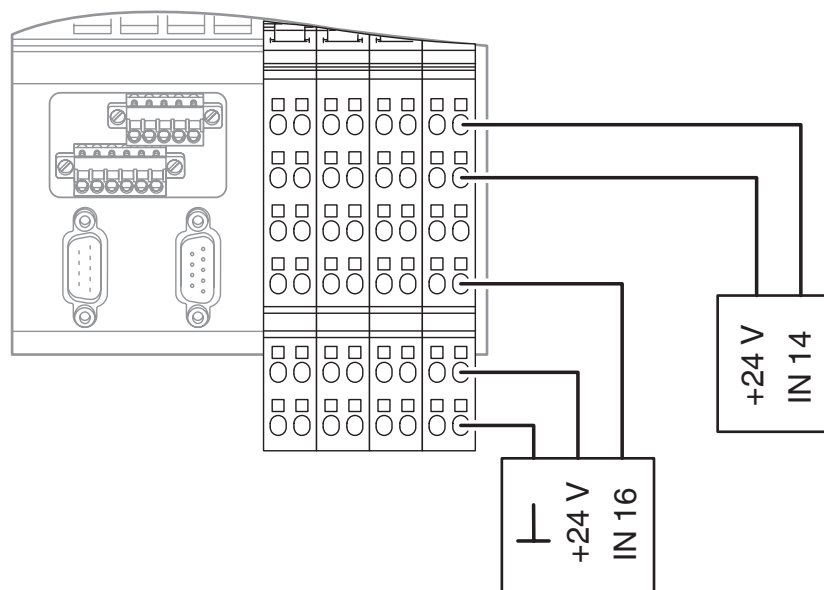
<https://www.phoenixcontact.com/us/products/2878421>

Drawings

Dimensional drawing



Connection diagram



ILB IB 24 DI16-DSUB - I/O module



2878421

<https://www.phoenixcontact.com/us/products/2878421>

Environmental product compliance

EU REACH SVHC

REACH candidate substance (CAS No.)	No substance above 0.1 wt%
-------------------------------------	----------------------------

Phoenix Contact 2026 © - all rights reserved

<https://www.phoenixcontact.com>

Phoenix Contact USA
586 Fulling Mill Road
Middletown, PA 17057, United States
(+717) 944-1300
info@phoenixcon.com