

# IBS IL 24 RB-LK-2MBD - Communication module



2878159

<https://www.phoenixcontact.com/us/products/2878159>

Please be informed that the data shown in this PDF document is generated from our online catalog. Please find the complete data in the user documentation. Our general terms of use for downloads are valid.

Inline, branch terminal, INTERBUS, F-SMA shield plug, with remote bus branch, transmission speed in the local bus: 2 Mbps, degree of protection: IP20, without accessories



## Product description

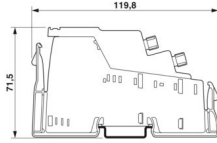
Inline terminals with "2 MBD" added to their item designation work with a transmission speed of 2 Mbps. These terminal blocks are discontinued or no longer in the range. If you require this transmission speed, please ask your local Phoenix Contact representative. If you can work with a transmission speed of 500 kbps, select as a replacement the corresponding variant that does not have "2MBD" added to its item designation. Please note that a uniform transmission speed must always be used within one inline station.

## Commercial data

Item number	2878159
Packing unit	1 pc
Minimum order quantity	1 pc
Sales key	DR01
Product key	DRI152
GTIN	4046356048491
Weight per piece (including packing)	124 g
Weight per piece (excluding packing)	89 g
Customs tariff number	85389091
Country of origin	DE

## Technical data

### Dimensions

Dimensional drawing	
Width	24.4 mm
Height	119.8 mm
Depth	71.5 mm

### Notes

#### Note on application

Note on application	Only for industrial use
---------------------	-------------------------

### Material specifications

Color (Housing)	green (RAL 6021)
-----------------	------------------

### Interfaces

#### INTERBUS

Connection method	Inline data jumper
Transmission speed	2 Mbps

#### INTERBUS

Connection method	FSMA plugs
Transmission speed	2 Mbps
Transmission physics	FO

#### Inline local bus

Connection method	Inline data jumper
Transmission speed	2 Mbps
Transmission physics	Copper

### System properties

#### Programming data (LocalbusSlave)

Length code (hex)	0
ID code (dec.)	04
Length code (dec)	0
Process data channel	0 bit
Input address area	0 Byte
Output address area	0 Byte
Parameter channel (PCP)	0 Byte

Register length (bus)	0 bit
-----------------------	-------

Fieldbus data telegram

Required parameter data	0 Byte
Required configuration data	0 Byte

### Product properties

Product type	I/O component
Product family	Inline
Type	modular
Scope of supply	without accessories
Special properties	with remote bus branch

### Electrical properties

Maximum power dissipation for nominal condition	1.15 W
---	--------

Potentials: Supply of analog modules ( $U_{ANA}$ )

Supply voltage	24 V DC (via voltage jumper)
Supply voltage range	19.2 V DC ... 30 V DC (including all tolerances, including ripple)
Current draw	max. 57 mA
	typ. 47 mA

Electrical isolation/isolation of the voltage ranges

Test voltage: 5 V supply, incoming remote bus, electrically isolated from 5 V supply, outgoing remote bus	500 V AC, 50 Hz, 1 min
Test voltage: 5 V supply, incoming remote bus, electrically isolated from 7.5 V logics supply, 24 V analog supply, 24 V bus terminal module supply, 5 V logics supply branch terminal block	500 V AC, 50 Hz, 1 min
Test voltage: 5 V supply, incoming remote bus, electrically isolated from 24 V main supply, 24 V segment supply	500 V AC, 50 Hz, 1 min
Test voltage: 5 V supply incoming remote bus / functional ground	500 V AC, 50 Hz, 1 min
Test voltage: 5 V supply, outgoing remote bus, electrically isolated from 5 V supply, incoming remote bus	500 V AC, 50 Hz, 1 min
Test voltage: 5 V supply, outgoing remote bus, electrically isolated from 7.5 V logics supply, 24 V analog supply, 24 V bus terminal module supply, 5 V logics supply branch terminal block	500 V AC, 50 Hz, 1 min
Test voltage: 5 V supply, outgoing remote bus, electrically isolated from 24 V main supply, 24 V segment supply	500 V AC, 50 Hz, 1 min
Test voltage: 5 V supply outgoing remote bus, electrically isolated from functional ground	500 V AC, 50 Hz, 1 min
Test voltage: 7.5 V logics supply, 24 V analog supply, 24 V bus terminal module supply, 5 V logics supply branch terminal block, electrically isolated from 5 V supply incoming remote bus	500 V AC, 50 Hz, 1 min
Test voltage: 7.5 V logics supply, 24 V analog supply, 24 V bus terminal module supply, 5 V logics supply branch terminal block, electrically isolated from 5 V supply outgoing remote bus	500 V AC, 50 Hz, 1 min
Test voltage: 7.5 V logics supply, 24 V analog supply, 24 V bus terminal module supply, 5 V logics supply branch terminal block, electrically isolated from 24 V main supply, 24 V segment supply	500 V AC, 50 Hz, 1 min

2878159

<https://www.phoenixcontact.com/us/products/2878159>

Test voltage: 7.5 V communications power, 24 V analog supply, 24 V bus terminal module supply, 5 V communications power, bus branch terminal electrically isolated from functional ground	500 V AC, 50 Hz, 1 min
Test voltage: 24 V main supply, 24 V segment supply, electrically isolated from 5 V supply, incoming remote bus	500 V AC, 50 Hz, 1 min
Test voltage: 24 V main supply, 24 V segment supply, electrically isolated from 5 V supply, outgoing remote bus	500 V AC, 50 Hz, 1 min
Test voltage: 24 V main supply, 24 V segment supply, electrically isolated from 7.5 V logics supply, 24 V analog supply, 24 V bus terminal module supply, 5 V logics supply branch terminal block	500 V AC, 50 Hz, 1 min
Test voltage: 24 V main supply, 24 V segment supply, electrically isolated from the functional ground	500 V AC, 50 Hz, 1 min

## Connection data

Connection method	FSMA plugs
Stripping length	8 mm

## Environmental and real-life conditions

### Ambient conditions

Ambient temperature (operation)	-25 °C ... 55 °C
Degree of protection	IP20
Air pressure (operation)	80 kPa ... 106 kPa (up to 2000 m above sea level)
Air pressure (storage/transport)	70 kPa ... 106 kPa (up to 3000 m above sea level)
Ambient temperature (storage/transport)	-25 °C ... 85 °C
Permissible humidity (operation)	75 % (On average, 85 % occasionally)
Permissible humidity (storage/transport)	75 % (On average, 85 % occasionally)

## Standards and regulations

Protection class	III (IEC 61140, EN 61140, VDE 0140-1)
------------------	---------------------------------------

## Mounting

Mounting type	DIN rail mounting
---------------	-------------------

# IBS IL 24 RB-LK-2MBD - Communication module

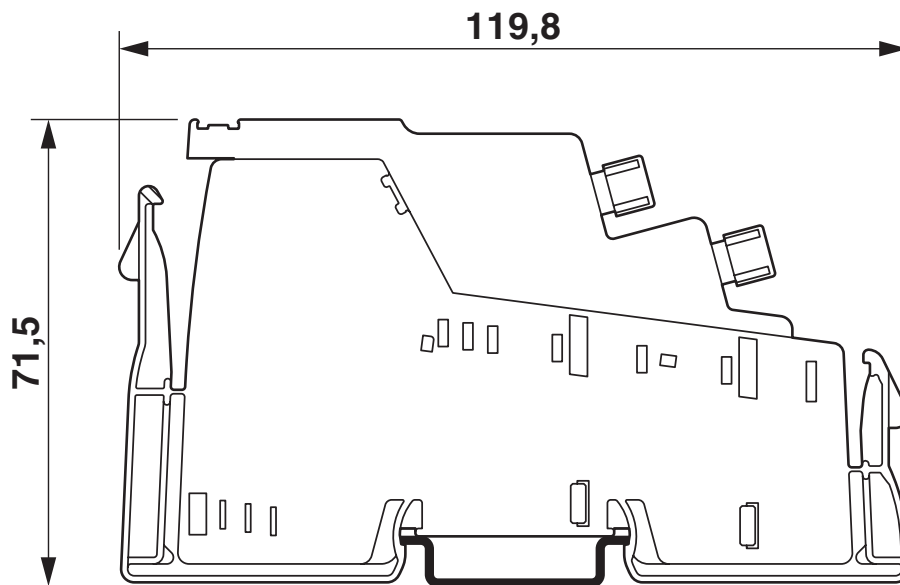


2878159

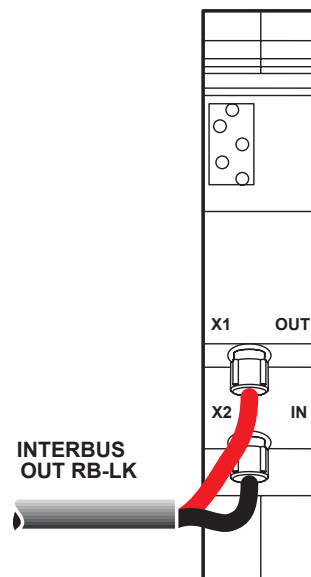
<https://www.phoenixcontact.com/us/products/2878159>

## Drawings

Dimensional drawing



Connection diagram



# IBS IL 24 RB-LK-2MBD - Communication module



2878159

<https://www.phoenixcontact.com/us/products/2878159>

## Approvals

To download certificates, visit the product detail page: <https://www.phoenixcontact.com/us/products/2878159>



**cULus Recognized**

Approval ID: E140324

2878159

<https://www.phoenixcontact.com/us/products/2878159>

## Classifications

### ECLASS

ECLASS-13.0	27242608
ECLASS-15.0	27242608

### ETIM

ETIM 10.0	EC001604
-----------	----------

### UNSPSC

UNSPSC 21.0	32151600
-------------	----------

2878159

<https://www.phoenixcontact.com/us/products/2878159>

## Environmental product compliance

### EU RoHS

Fulfills EU RoHS substance requirements	Yes
Exemption	7(a), 7(c)-I

### China RoHS

Environment friendly use period (EFUP)	EFUP-50
	An article-related China RoHS declaration table can be found in the download area for the respective article under "Manufacturer declaration". For all articles with EFUP-E, no China RoHS declaration table issued and required.

### EU REACH SVHC

REACH candidate substance (CAS No.)	Lead(CAS: 7439-92-1)
SCIP	4cde804a-095c-4d73-9767-a9eb2bef1d9f

Phoenix Contact 2026 © - all rights reserved

<https://www.phoenixcontact.com>

Phoenix Contact USA  
586 Fulling Mill Road  
Middletown, PA 17057, United States  
(+717) 944-1300  
[info@phoenixcon.com](mailto:info@phoenixcon.com)