

# STEP-PS/ 1AC/24DC/4.2 - Power supply



2868664

<https://www.phoenixcontact.com/us/products/2868664>

Please be informed that the data shown in this PDF document is generated from our online catalog. Please find the complete data in the user documentation. Our general terms of use for downloads are valid.



Primary-switched STEP POWER power supply for DIN rail mounting, input: 1-phase, output: 24 V DC/4.2 A

## Product description

STEP POWER power supplies for distribution boards

The STEP POWER power supply range was developed especially for building automation. The low idling losses and high degree of efficiency ensure maximum energy efficiency. They allow flexible use and can be snapped onto the DIN rail or screwed onto an even surface.

## Your advantages

- Flexible mounting by simply snapping onto the DIN rail or screwing onto a level surface
- Reliable power supply thanks to high MTBF (mean time between failures) of more than 500,000 hours and U/I characteristic curve
- Energy savings thanks to maximum energy efficiency and incredibly low idling losses

## Commercial data

Item number	2868664
Packing unit	1 pc
Minimum order quantity	1 pc
Sales key	CM13
Product key	CMPS13
GTIN	4046356287975
Weight per piece (including packing)	380 g
Weight per piece (excluding packing)	330 g
Customs tariff number	85044095
Country of origin	VN

## Technical data

### Input data

#### AC operation

Nominal input voltage range	100 V AC ... 240 V AC
Input voltage range	85 V AC ... 264 V AC
Voltage type of supply voltage	AC
Inrush current	< 15 A (typical)
Inrush current integral ( $I^2t$ )	< 1 A <sup>2</sup> s
AC frequency range	45 Hz ... 65 Hz
Frequency range DC	0 Hz
Mains buffering time	typ. 20 ms (120 V AC) typ. 100 ms (230 V AC)
Current consumption	1.3 A (120 V AC) 0.8 A (230 V AC)
Nominal power consumption	196.7 VA
Protective circuit	Transient surge protection; Varistor
Power factor (cos phi)	0.58
Typical response time	< 0.5 s
Input fuse	4 A (slow-blow, internal)
Recommended breaker for input protection	6 A ... 16 A (Characteristics B, C, D, K)

#### DC operation

Input voltage range	95 V DC ... 250 V DC
Voltage type of supply voltage	DC

### Output data

Efficiency	> 88 % (for 230 V AC and nominal values)
Output characteristic	U/I
Nominal output voltage	24 V DC
Setting range of the output voltage ( $U_{Set}$ )	22.5 V DC ... 29.5 V DC (> 24 V DC, constant capacity restricted)
Output current $I_{max}$	6.5 A
Nominal output current ( $I_N$ )	4.2 A (-25 °C ... 55 °C) 4.4 A (-25 °C ... 40 °C permanent)
Derating	55 °C ... 70 °C (2.5 %/K)
Feedback voltage resistance	≤ 35 V DC
Protection against overvoltage at the output (OVP)	< 35 V DC
Control deviation	< 1 % (change in load, static 10 % ... 90 %) < 2 % (change in load, dynamic 10 % ... 90 %) < 0.1 % (change in input voltage ±10 %)
Residual ripple	< 40 mV <sub>PP</sub> (20 MHz)
Output power	100.8 W
Peak switching voltages nominal load	< 30 mV <sub>PP</sub> (20 MHz)

# STEP-PS/ 1AC/24DC/4.2 - Power supply



2868664

<https://www.phoenixcontact.com/us/products/2868664>

Maximum no-load power dissipation	< 0.7 W
Power loss nominal load max.	13.2 W
Rise time	< 0.5 s ( $U_{OUT}$ (10 % ... 90 %))
Connection in parallel	yes, for redundancy and increased capacity
Connection in series	yes
Fuse protection (secondary side)	electronic

## Connection data

### Input

Connection method	Screw connection
Conductor cross-section, rigid min.	0.2 mm <sup>2</sup>
Conductor cross-section, rigid max.	2.5 mm <sup>2</sup>
Conductor cross-section flexible min.	0.2 mm <sup>2</sup>
Conductor cross-section flexible max.	2.5 mm <sup>2</sup>
Conductor cross-section AWG min.	24
Conductor cross-section AWG max.	12
Stripping length	6.5 mm
Screw thread	M3
Tightening torque, min	0.5 Nm
Tightening torque max	0.6 Nm

### Output

Connection method	Screw connection
Conductor cross-section, rigid min.	0.2 mm <sup>2</sup>
Conductor cross-section, rigid max.	2.5 mm <sup>2</sup>
Conductor cross-section flexible min.	0.2 mm <sup>2</sup>
Conductor cross-section flexible max.	2.5 mm <sup>2</sup>
Conductor cross-section AWG min.	24
Conductor cross-section AWG max.	12
Stripping length	6.5 mm
Screw thread	M3
Tightening torque, min	0.5 Nm
Tightening torque max	0.6 Nm

## Signaling

Types of signaling	LED
Operating voltage display	Green LED

### Signal output: LED status indicator

Status display	"DC OK" LED green
Note on status display	$U_{OUT} > 21.5$ V: LED lights up

## Electrical properties

Number of phases	1
	4 kV AC (type test)



# STEP-PS/ 1AC/24DC/4.2 - Power supply



2868664

<https://www.phoenixcontact.com/us/products/2868664>

Degree of protection	IP20
Ambient temperature (operation)	-25 °C ... 70 °C (> 55° C derating : 2.5%/K)
Ambient temperature (storage/transport)	-40 °C ... 85 °C
Ambient temperature (start-up type tested)	-40 °C
Climatic class	3K3 (in acc. with EN 60721)
Max. permissible relative humidity (operation)	≤ 95 % (at 25 °C, non-condensing)
Shock	18 ms, 30g, in each space direction (according to IEC 60068-2-27)
Vibration (operation)	< 15 Hz, amplitude ±2.5 mm (according to IEC 60068-2-6) 15 Hz ... 150 Hz, 2.3g, 90 min.
Temp code	T4A (60 °C)

## Standards and regulations

Rail applications	EN 50121-4
Standard – Electronic equipment for use in electrical power installations and their assembly into electrical power installations	EN 50178/VDE 0160 (PELV)
Standard – Limitation of mains harmonic currents	EN 61000-3-2
Standard - Electrical safety	IEC 62368-1 (SELV)
Standard – Protection against shock currents, basic requirements for protective separation in electrical equipment	EN 50178
Standard – Safety extra-low voltage	IEC 62368-1 (SELV) und EN 60204-1 (PELV)
Standard - Safe isolation	DIN VDE 0100-410
Standard - Safety of transformers	EN 61558-2-16

## Approvals

CSA	CSA-C22.2 No. 107.1-01
Shipbuilding approval	DNV GL (EMC B) ABS, NK
UL approvals	UL/C-UL listed UL 508
	UL/C-UL Recognized UL 60950-1
	UL ANSI/ISA-12.12.01 Class I, Division 2, Groups A, B, C, D T4A (Hazardous Location)

## Conformity/Approvals

SIL in accordance with IEC 61508	0
----------------------------------	---

## EMC data

Electromagnetic compatibility	Conformance with EMC Directive 2014/30/EU
Low Voltage Directive	Conformance with Low Voltage Directive 2014/35/EC
EMC requirements for noise emission	EN 61000-6-3
	EN 61000-6-4
EMC requirements for noise immunity	EN 61000-6-1
	EN 61000-6-2

## Electrostatic discharge

Standards/regulations	EN 61000-4-2
-----------------------	--------------

## Electrostatic discharge

# STEP-PS/ 1AC/24DC/4.2 - Power supply



2868664

<https://www.phoenixcontact.com/us/products/2868664>

Contact discharge	± 6 kV (Contact discharge)
Discharge in air	± 8 kV (Air discharge)
Comments	Criterion B

## Electromagnetic HF field

Standards/regulations	EN 61000-4-3
-----------------------	--------------

## Electromagnetic HF field

Frequency range	80 MHz ... 1 GHz
Test field strength	10 V/m
Frequency range	1.4 GHz ... 2 GHz
Test field strength	3 V/m
Frequency range	2 GHz ... 2.7 GHz
Test field strength	1 V/m
Comments	Criterion A

## Fast transients (burst)

Standards/regulations	EN 61000-4-4
-----------------------	--------------

## Fast transients (burst)

Input	2 kV (Test Level 3 - asymmetrical)
Output	2 kV (Test Level 3 - asymmetrical)
Comments	Criterion B

## Surge voltage load (surge)

Standards/regulations	EN 61000-4-5
-----------------------	--------------

## Surge voltage load (surge)

Input	2 kV (Test Level 3 - symmetrical)
	4 kV (Test Level 4 - asymmetrical)
Output	1 kV (Test Level 2 - symmetrical)
	1 kV (Test Level 2 - asymmetrical)
Comments	Criterion A

## Conducted interference

Standards/regulations	EN 61000-4-6
-----------------------	--------------

## Conducted interference

Frequency range	10 kHz ... 80 MHz
Comments	Criterion A
Voltage	10 V (Test Level 3)

## Voltage dips

Standards/regulations	EN 61000-4-11
-----------------------	---------------

## Emitted interference

Standards/regulations	EN 61000-6-3
Radio interference voltage in acc. with EN 55011	EN 55011 (EN 55022) class B used in industry and residential area / EMC 1

# STEP-PS/ 1AC/24DC/4.2 - Power supply



2868664

<https://www.phoenixcontact.com/us/products/2868664>

Emitted radio interference in acc. with EN 55011

EN 55011 (EN 55022) class B used in industry and residential area / EMC 1

# STEP-PS/ 1AC/24DC/4.2 - Power supply

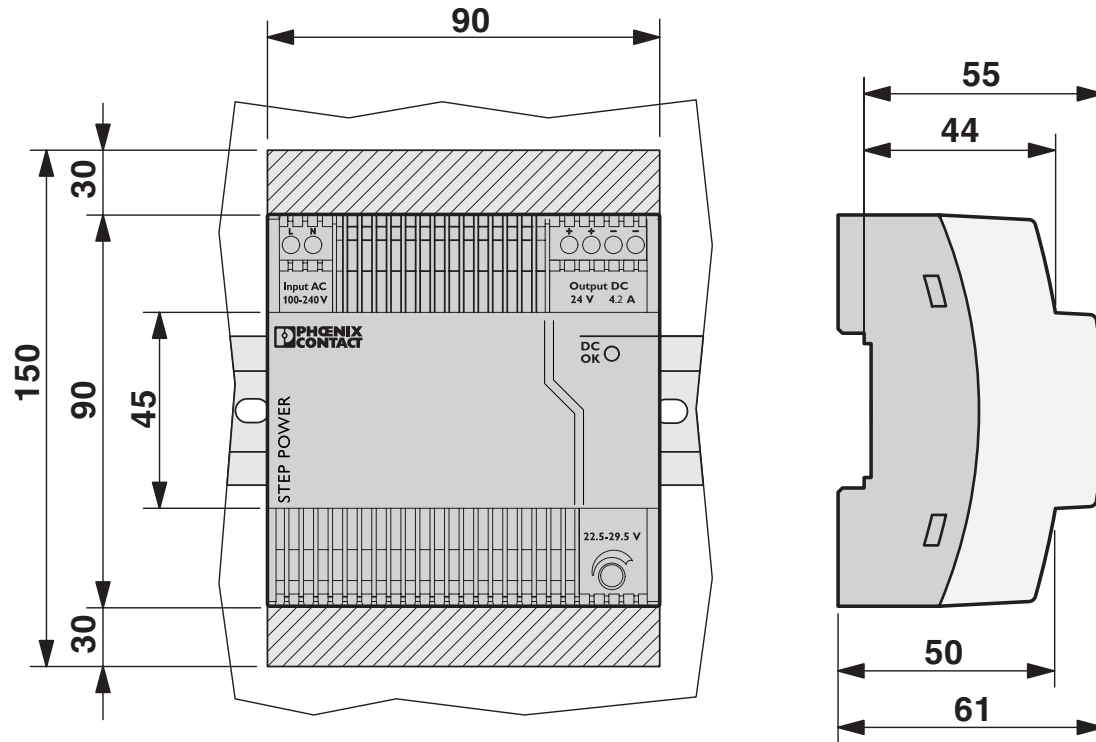


2868664

<https://www.phoenixcontact.com/us/products/2868664>

## Drawings

Dimensional drawing



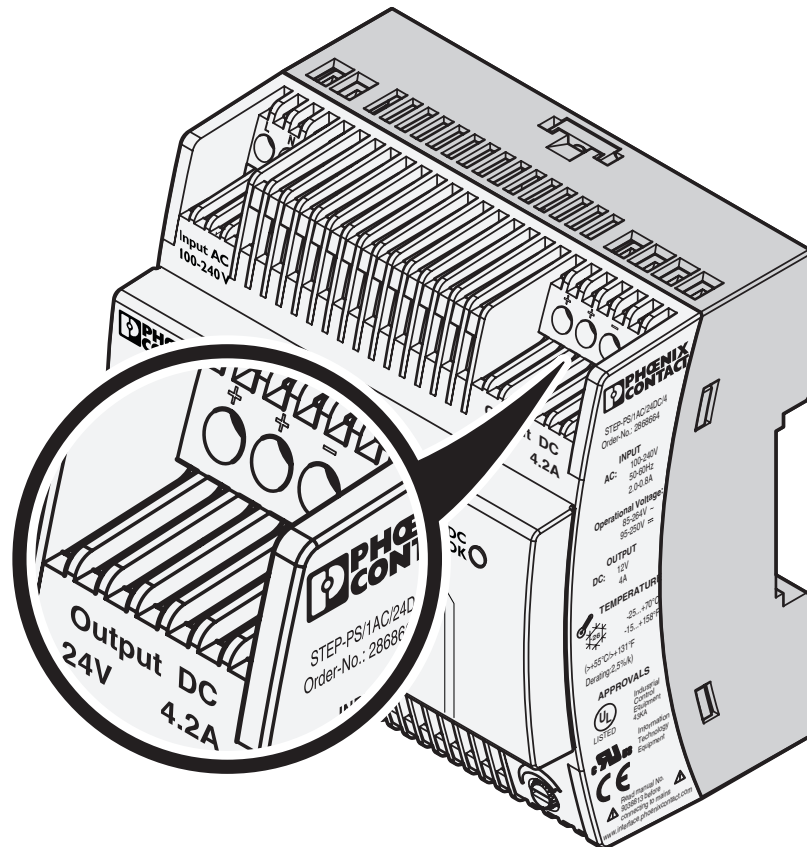
# STEP-PS/ 1AC/24DC/4.2 - Power supply

2868664

<https://www.phoenixcontact.com/us/products/2868664>



Schematic diagram



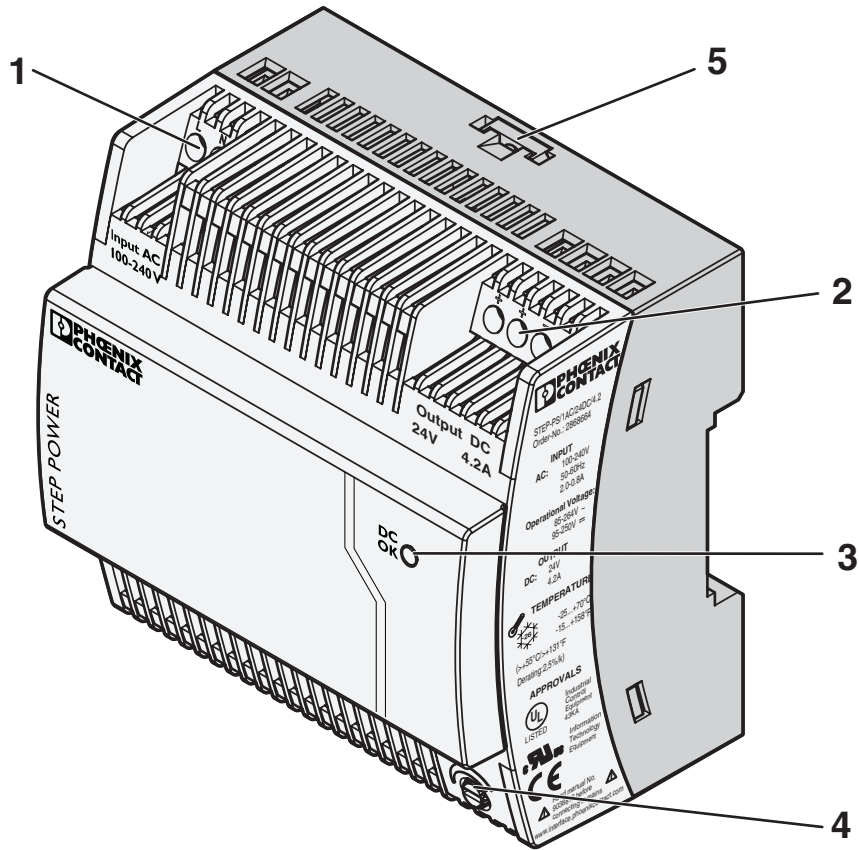
# STEP-PS/ 1AC/24DC/4.2 - Power supply



2868664

<https://www.phoenixcontact.com/us/products/2868664>

Schematic diagram



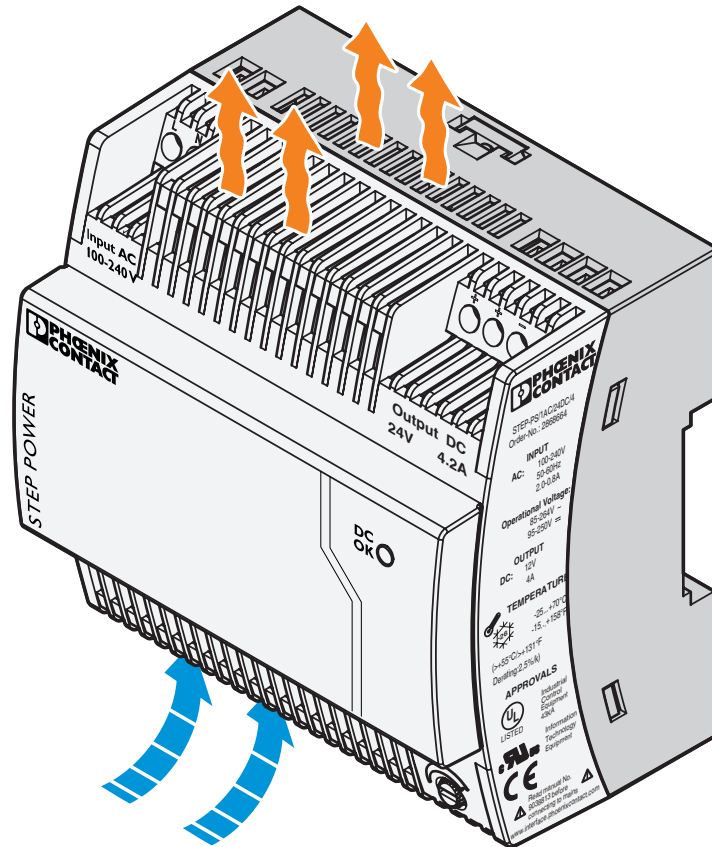
# STEP-PS/ 1AC/24DC/4.2 - Power supply

2868664

<https://www.phoenixcontact.com/us/products/2868664>



Schematic diagram



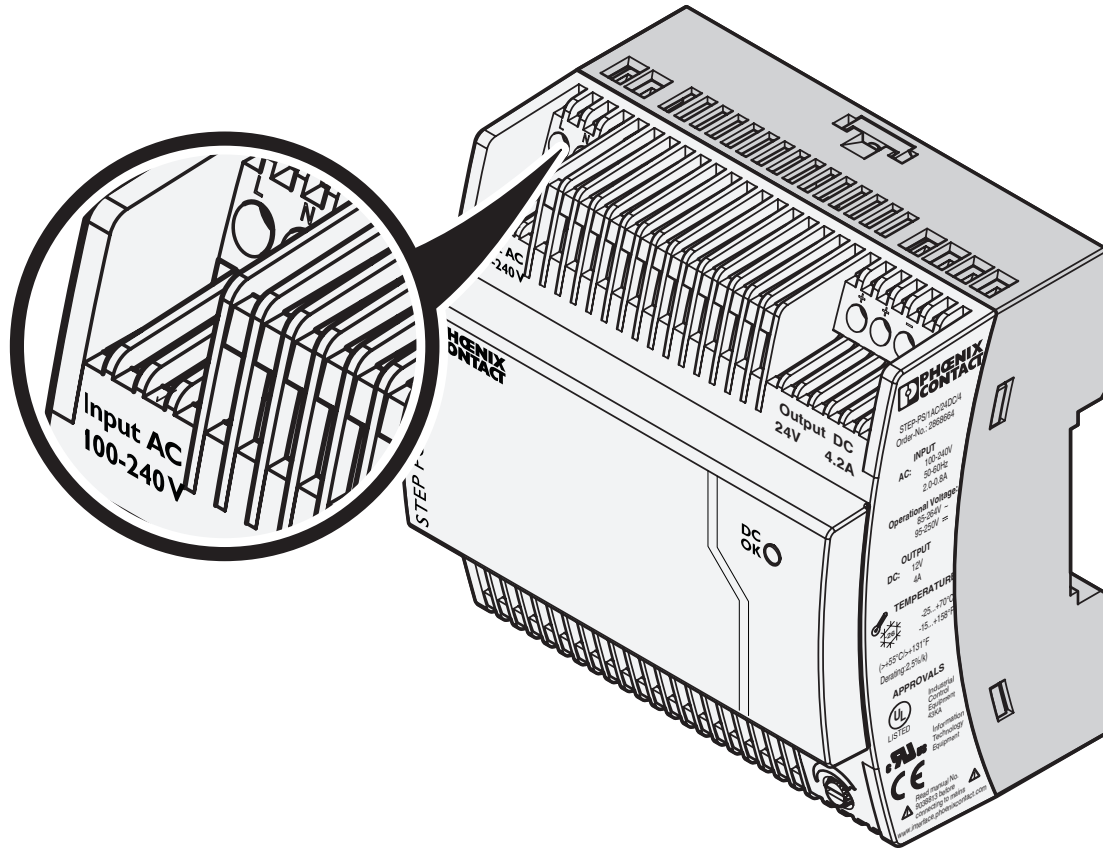
# STEP-PS/ 1AC/24DC/4.2 - Power supply



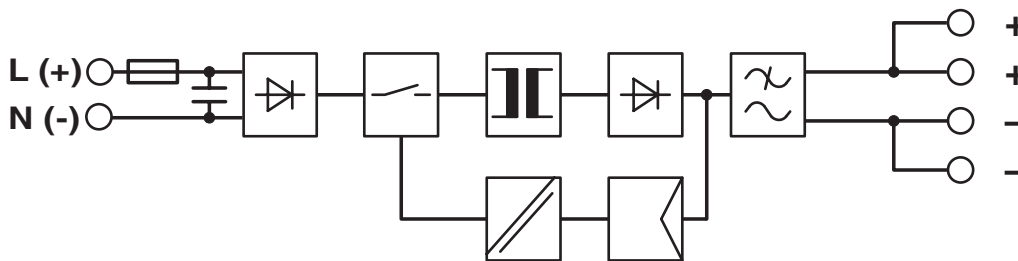
2868664

<https://www.phoenixcontact.com/us/products/2868664>

Schematic diagram



Block diagram



# STEP-PS/ 1AC/24DC/4.2 - Power supply



2868664

<https://www.phoenixcontact.com/us/products/2868664>

## Approvals

To download certificates, visit the product detail page: <https://www.phoenixcontact.com/us/products/2868664>



**cUL Recognized**  
Approval ID: FILE E 214596



**UL Recognized**  
Approval ID: FILE E 214596



**IECEE CB Scheme**  
Approval ID: DK-3955



**EAC**  
Approval ID: RU S-DE.BL08.W.00764



**NK**  
Approval ID: TA24454M



**UL Listed**  
Approval ID: E123528



**cUL Listed**  
Approval ID: FILE E 123528

**BSH**

Approval ID: 581

**ABS**

Approval ID: 23-2446587-PDA

**DNV**

Approval ID: TAA00001YD



**IECEE CB Scheme**  
Approval ID: NL2-021193

# STEP-PS/ 1AC/24DC/4.2 - Power supply



2868664

<https://www.phoenixcontact.com/us/products/2868664>



**cUL Listed**

Approval ID: E199827



**UL Listed**

Approval ID: E199827

# STEP-PS/ 1AC/24DC/4.2 - Power supply



2868664

<https://www.phoenixcontact.com/us/products/2868664>

## Classifications

### ECLASS

ECLASS-13.0	27040701
ECLASS-15.0	27040701

### ETIM

ETIM 10.0	EC002540
-----------	----------

### UNSPSC

UNSPSC 21.0	39121000
-------------	----------

# STEP-PS/ 1AC/24DC/4.2 - Power supply



2868664

<https://www.phoenixcontact.com/us/products/2868664>

## Environmental product compliance

### EU RoHS

Fulfills EU RoHS substance requirements	Yes
Exemption	6(c), 7(c)-I

### China RoHS

Environment friendly use period (EFUP)	EFUP-25
	An article-related China RoHS declaration table can be found in the download area for the respective article under "Manufacturer declaration". For all articles with EFUP-E, no China RoHS declaration table issued and required.

### EU REACH SVHC

REACH candidate substance (CAS No.)	Lead(CAS: 7439-92-1)
	Lead(CAS: 7439-92-1)
SCIP	413aacb0-a491-44a9-b92e-ed2ed50d27b3

### EF3.1 Climate Change

CO2e kg	7.173 kg CO2e
---------	---------------

Phoenix Contact 2026 © - all rights reserved  
<https://www.phoenixcontact.com>

Phoenix Contact USA  
586 Fulling Mill Road  
Middletown, PA 17057, United States  
(+717) 944-1300  
[info@phoenixcon.com](mailto:info@phoenixcon.com)