

# ETD-SL-1T-S - Timer relay

2867924

<https://www.phoenixcontact.com/us/products/2867924>

Please be informed that the data shown in this PDF document is generated from our online catalog. Please find the complete data in the user documentation. Our general terms of use for downloads are valid.



Timer relay for star/delta startup, supply voltage can be selected via power module, 2 changeover contacts

## Product description

Increasingly higher demands are being placed on safety and system availability – across all sectors. Processes are becoming more and more complex, not only in mechanical engineering and the chemical industry, but also in plant and automation technology. Demands on power engineering are also increasing constantly.

The timer relays in the ETD series can be used to control time sequences in production and process technology.

## Commercial data

Item number	2867924
Packing unit	1 pc
Note	Made to order (non-returnable)
Sales key	C441
Product key	DK66ZZ
GTIN	4046356046947
Weight per piece (including packing)	140.34 g
Weight per piece (excluding packing)	140.34 g
Customs tariff number	85364900
Country of origin	AT

# ETD-SL-1T-S - Timer relay

2867924

<https://www.phoenixcontact.com/us/products/2867924>



## Technical data

### Notes

#### Utilization restriction

EMC note	EMC: class A product, see manufacturer's declaration in the download area
----------	---

### Product properties

Product type	Timer relay
Operating mode	100% operating factor
Mechanical service life	approx. $2 \times 10^7$ cycles

#### Insulation characteristics

Insulation	Basic insulation
Overvoltage category	III
Pollution degree	2

### Electrical properties

Service life electrical	approx. $2 \times 10^5$ cycles at ohmic load, 1000 VA
Nominal frequency	50 Hz ... 60 Hz
Nominal power consumption	2.5 VA (1 W)
Test voltage relay winding/relay contact	4 kV
Rated insulation voltage	300 V

### Input data

Nominal power consumption	2.5 VA (1 W)
Input voltage range	24 V DC (see Power modules) 24 V AC ... 230 V AC (see Power modules)
Temperature coefficient, typical	$\leq 0.01$ %/K
Recovery time	500 ms
Function	S: Star/delta startup
Setting range time	500 ms ... 3 min (4 time end ranges)
Changeover time	40 ms / 60 ms / 80 ms / 100 ms
Basic accuracy	$\pm 1$ % (of scale end value)
Setting accuracy	$\leq 5$ % (of scale end value)
Repeat accuracy	$\leq 0.5$ % $\pm 5$ ms

### Output data

#### Switching

Contact switching type	2 floating changeover contacts
Maximum switching voltage	250 V AC (in acc. with IEC 60664-1)
Interrupting rating (ohmic load) max.	750 VA (3 A/250 V AC, module aligned, $\leq 5$ mm spacing) 1250 VA (5 A/250 V AC, module not aligned, $\geq 5$ mm spacing)

# ETD-SL-1T-S - Timer relay



2867924

<https://www.phoenixcontact.com/us/products/2867924>

Output fuse	5 A (fast-blow)
-------------	-----------------

## Connection data

Connection method	Screw connection
Stripping length	8 mm
Conductor cross-section rigid	0.5 mm <sup>2</sup> ... 2.5 mm <sup>2</sup>
Conductor cross-section flexible	0.5 mm <sup>2</sup> ... 2.5 mm <sup>2</sup>
Conductor cross-section AWG	20 ... 14
Tightening torque	1 Nm ... 1 Nm

## Signaling

Status display	Green LED (POWER)
	Yellow LED (relay active)

## Dimensions

Width	22.5 mm
Height	90 mm
Depth	113 mm

## Material specifications

Color	green (RAL 6021)
Flammability rating according to UL 94	V0
Housing insulation material	Polyamide PA, self-extinguishing

## Environmental and real-life conditions

### Ambient conditions

Degree of protection (Housing)	IP40 (Housing)
Degree of protection (Connection terminal blocks)	IP20 (Connection terminal blocks)
Ambient temperature (operation)	-25 °C ... 55 °C
	-25 °C ... 40 °C (corresponds to UL 508)
Ambient temperature (storage/transport)	-25 °C ... 70 °C
Climatic class	3K3 (in acc. with EN 60721)
Permissible humidity (operation)	15 % ... 85 %

## Approvals

### CE

Certificate	CE-compliant
-------------	--------------

### UL, USA/Canada

Identification	UL/C-UL Listed UL 508
----------------	-----------------------

## EMC data

Electromagnetic compatibility	Conformance with EMC directive
Low Voltage Directive	Conformance with Low Voltage Directive

# ETD-SL-1T-S - Timer relay



2867924

<https://www.phoenixcontact.com/us/products/2867924>

Noise immunity	EN 61000-6-2
----------------	--------------

## Noise emission

Standards/regulations	EN 61000-6-4
-----------------------	--------------

## Standards and regulations

Standards/regulations	EN 50178
-----------------------	----------

## Mounting

Mounting type	DIN rail mounting
Assembly note	on standard DIN rail NS 35 in accordance with EN 60715
Mounting position	any

# ETD-SL-1T-S - Timer relay

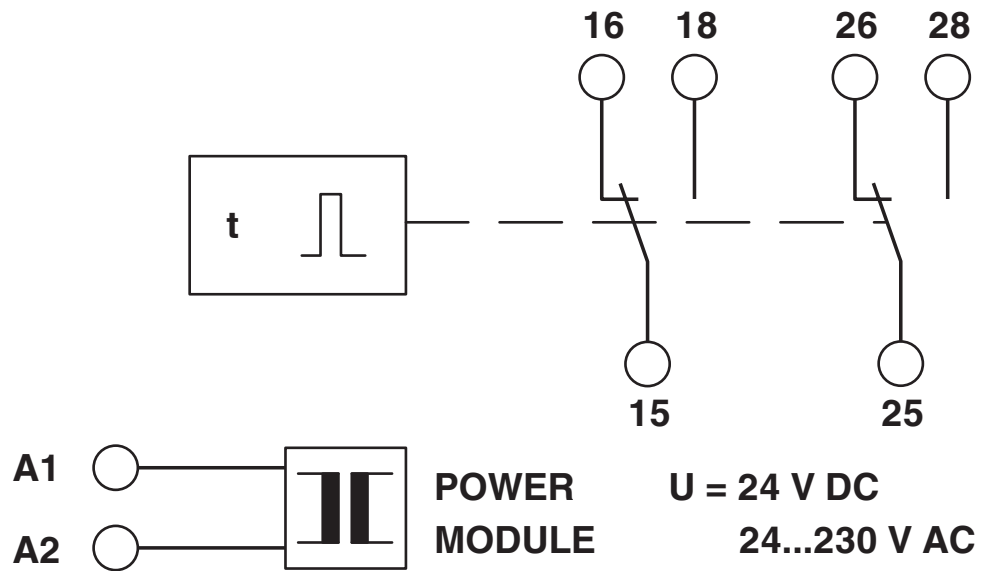
2867924

<https://www.phoenixcontact.com/us/products/2867924>



## Drawings

Block diagram



# ETD-SL-1T-S - Timer relay

2867924

<https://www.phoenixcontact.com/us/products/2867924>



## Classifications

### UNSPSC

UNSPSC 21.0	39122300
-------------	----------

# ETD-SL-1T-S - Timer relay



2867924

<https://www.phoenixcontact.com/us/products/2867924>

## Environmental product compliance

### EU RoHS

Fulfills EU RoHS substance requirements	Yes, No exemptions
---	--------------------

### China RoHS

Environment friendly use period (EFUP)	EFUP-E
	No hazardous substances above the limits

### EU REACH SVHC

REACH candidate substance (CAS No.)	No substance above 0.1 wt%
-------------------------------------	----------------------------

Phoenix Contact 2026 © - all rights reserved  
<https://www.phoenixcontact.com>

Phoenix Contact USA  
586 Fulling Mill Road  
Middletown, PA 17057, United States  
(+717) 944-1300  
[info@phoenixcon.com](mailto:info@phoenixcon.com)