

RAD-ISM-2400-DATA-BD - Wireless module



2867869

<https://www.phoenixcontact.com/us/products/2867869>

Please be informed that the data shown in this PDF document is generated from our online catalog. Please find the complete data in the user documentation. Our general terms of use for downloads are valid.



Wireless transceiver (transmitter and receiver) with RS-232, RS-485/RS-422 interface, for 2400 MHz ISM band

Your advantages

- Transmission power of up to 100 mW (adjustable)
- Trusted Wireless technology with frequency hopping method
- Configuration via RAD-Link software
- Transparent and protocol-independent data transmission
- Meshed network with up to 254 repeaters/slaves
- License-free 2.4 GHz ISM band

Commercial data

Item number	2867869
Packing unit	1 pc
Note	Made to order (non-returnable)
Sales key	NULL
Product key	DNC652
GTIN	4017918965402
Weight per piece (including packing)	217 g
Weight per piece (excluding packing)	217 g
Customs tariff number	85176200
Country of origin	CA

Technical data

Notes

Utilization restriction

EMC note	EMC: class A product, see manufacturer's declaration in the download area
----------	---

Product properties

Product type	Wireless module
--------------	-----------------

Electrical properties

Maximum power dissipation for nominal condition	2.64 W
---	--------

Supply

Supply voltage	24 V DC -50 % / +25 %
Supply voltage range	12 V DC ... 30 V DC
Typical current consumption	50 mA
Max. current consumption	100 mA

Connection data

Connection method	Screw connection
Stripping length	8 mm
Conductor cross-section flexible	0.2 mm ² ... 2.5 mm ²
Conductor cross-section rigid	0.2 mm ² ... 4 mm ²
Cross section AWG	24 ... 12
Screw thread	M3

Interfaces

Serial: RS-232

Transmission speed	0.3 ... 115.2 kbps
Connection method	D-SUB-9 female connector
File format/coding	Asynchronous
Data flow control/protocols	RTS/CTS
Size of packet	32 / 98 / 240 bytes

Serial: RS-485/RS-422

Data rate	300 Bit/s ... 115,2 kBit/s
Connection method	COMBICON plug-in screw terminal block

Wireless

Direction	Bi-directional
Frequency	2400 MHz
Frequency range	2.4015 GHz ... 2.4815 GHz
Channel distance	1 MHz

RAD-ISM-2400-DATA-BD - Wireless module



2867869

<https://www.phoenixcontact.com/us/products/2867869>

Number of channel groups	3
Number of channels per group	27
Transmission power	100 mW (adjustable)

Wireless

Frequency band	2.4 GHz
----------------	---------

Dimensions

Width	22.5 mm
Height	99 mm
Depth	114.5 mm

Material specifications

Color (Housing)	green (RAL 6021)
Material (Housing)	Polyamide

Environmental and real-life conditions

Ambient conditions

Degree of protection	IP20
Ambient temperature (operation)	-20 °C ... 65 °C -4 °F ... 149 °F
Ambient temperature (storage/transport)	-40 °C ... 85 °C

Approvals

CE

Certificate	CE-compliant
-------------	--------------

ATEX

Identification	⊕ II 3 G Ex nL IIC
Note	Please follow the special installation instructions in the documentation!

IECEX

Identification	Ex nL IIC T4
----------------	--------------

Corrosive gas test

Identification	ISA-S71.04-1985 G3 Harsh Group A
----------------	----------------------------------

EMC data

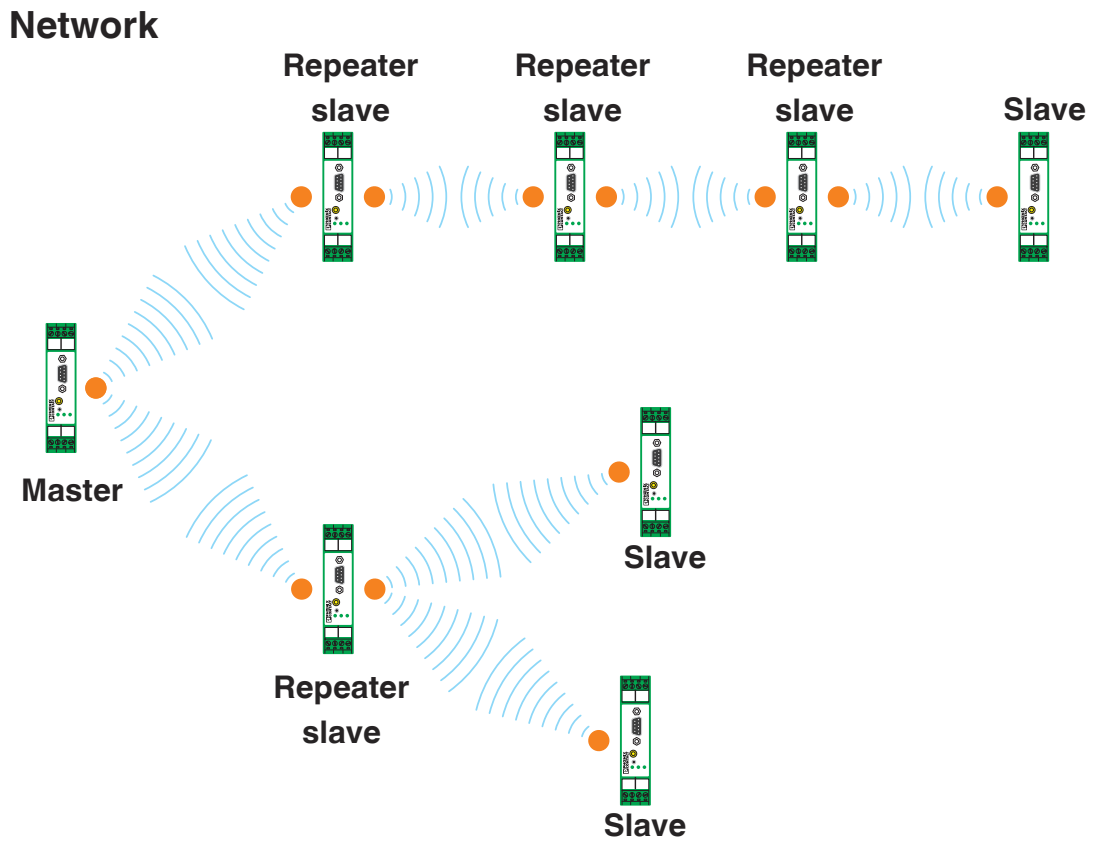
Electromagnetic compatibility	Conformance with R&TTE directive 1999/5/EC
-------------------------------	--

Mounting

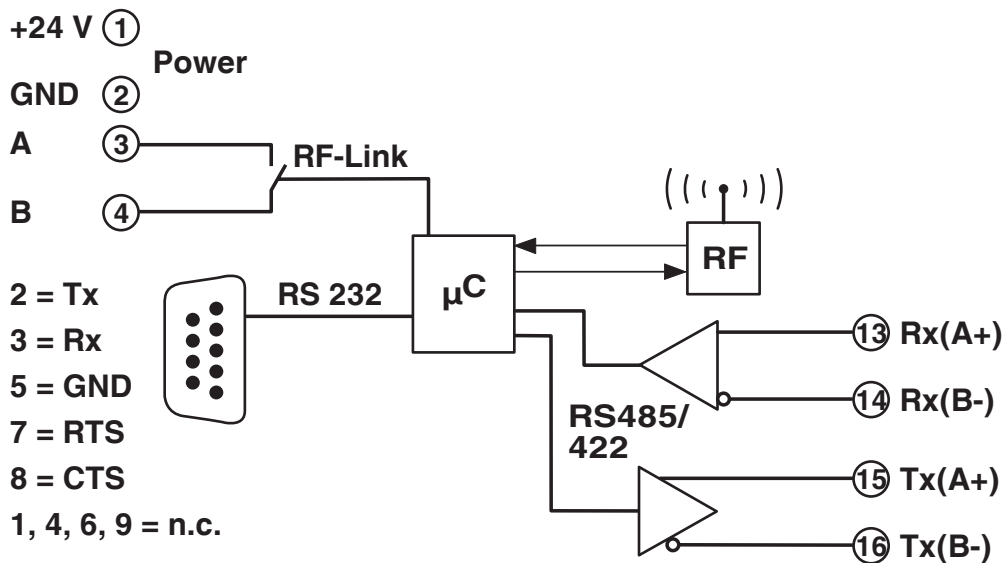
Assembly note	on standard DIN rail NS 35 in accordance with EN 60715
Mounting position	any

Drawings

Application drawing



Block diagram



2867869

<https://www.phoenixcontact.com/us/products/2867869>

Environmental product compliance

China RoHS

Environment friendly use period (EFUP)	EFUP-E
	No hazardous substances above the limits

EU REACH SVHC

REACH candidate substance (CAS No.)	No substance above 0.1 wt%
-------------------------------------	----------------------------

Phoenix Contact 2026 © - all rights reserved
<https://www.phoenixcontact.com>

Phoenix Contact USA
586 Fulling Mill Road
Middletown, PA 17057, United States
(+717) 944-1300
info@phoenixcon.com