

RAD-ISM-2400-SET-BD-BUS-ANT - Wireless module



2867733

<https://www.phoenixcontact.com/us/products/2867733>

Please be informed that the data shown in this PDF document is generated from our online catalog. Please find the complete data in the user documentation. Our general terms of use for downloads are valid.



Bidirectional, wireless, 2400 MHz transmission system, comprising 2 transceivers (transmitter and receiver) and two antennas with connecting cable

Your advantages

- Trusted Wireless technology with frequency hopping method
- No parameterization or programming required
- Up to eight I/O extension modules can be connected via bus foot
- License-free 2.4 GHz ISM band

Commercial data

Item number	2867733
Packing unit	1 pc
Note	Made to order (non-returnable)
Sales key	NULL
Product key	DNC652
GTIN	4017918975067
Weight per piece (including packing)	744.5 g
Weight per piece (excluding packing)	731.5 g
Customs tariff number	85176200
Country of origin	CA

2867733

<https://www.phoenixcontact.com/us/products/2867733>

Technical data

Product properties

Product type	Wireless module
--------------	-----------------

Electrical properties

Maximum power dissipation for nominal condition	3.6 W
---	-------

Supply

Supply voltage	24 V DC -50 % / +25 %
Supply voltage range	12 V DC ... 30 V DC
Typical current consumption	75 mA
Max. current consumption	150 mA

Input data

Digital

Input voltage range	5 V AC/DC ... 30 V AC/DC
Switching threshold "0" signal, voltage	max. 1.5 V DC
Switching threshold "1" signal voltage	min. 5 V DC

Analog

Description of the input	Current input (analog input)
Current input signal	4 mA ... 20 mA
Input resistance current input	< 170 Ω

Analog

Description of the input	Voltage input (digital input)
--------------------------	-------------------------------

Output data

Digital

Output name	2x relay output + 1 x RF link
Number of outputs	3
Contact switching type	3 floating N/O contacts
Contact material	Ag, gold-plated
Maximum switching voltage	30 V DC 30 V AC
Limiting continuous current	0.5 A

Analog

Output name	Current output
Number of outputs	1
Load/output load current output	700 Ω (at $U_B = 24$ V, $R_B = [U_B - 10$ V] / 20 mA)

Connection data

Connection method	Screw connection
-------------------	------------------

2867733

<https://www.phoenixcontact.com/us/products/2867733>

Stripping length	8 mm
Conductor cross-section flexible	0.2 mm ² ... 2.5 mm ²
Conductor cross-section rigid	0.2 mm ² ... 4 mm ²
Cross section AWG	24 ... 14
Screw thread	M3

Interfaces

Wireless

Direction	Bi-directional
Frequency	2400 MHz
Frequency range	2.4032 GHz ... 2.4799 GHz
Channel distance	500 kHz
Number of channel groups	7
Number of channels per group	22
Transmission power	10 mW

Wireless

Frequency band	2.4 GHz
----------------	---------

Dimensions

Width	22.5 mm
Height	99 mm
Depth	114.5 mm

Material specifications

Color (Housing)	green (RAL 6021)
Material (Housing)	Polyamide

Environmental and real-life conditions

Ambient conditions

Degree of protection	IP20
Ambient temperature (operation)	-20 °C ... 65 °C -4 °F ... 149 °F
Ambient temperature (storage/transport)	-40 °C ... 85 °C

Approvals

CE

Certificate	CE-compliant
-------------	--------------

ATEX

Identification	Ⓔ II 3 G EEx nL IIC
Note	Please follow the special installation instructions in the documentation!

IECEX

RAD-ISM-2400-SET-BD-BUS-ANT - Wireless module



2867733

<https://www.phoenixcontact.com/us/products/2867733>

Identification	Ex nL IIC T4
----------------	--------------

EMC data

Electromagnetic compatibility	Conformance with R&TTE directive 1999/5/EC
-------------------------------	--

Mounting

Assembly note	on standard DIN rail NS 35 in accordance with EN 60715
Mounting position	any

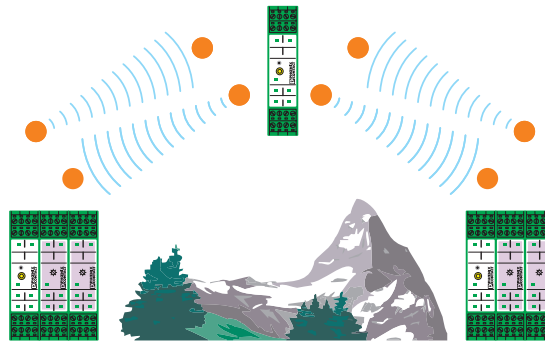
2867733

<https://www.phoenixcontact.com/us/products/2867733>

Drawings

Application drawing

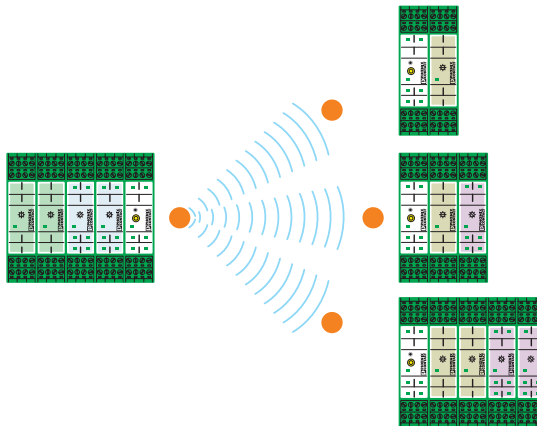
Repeater
(bidirectional)



Point-to-point
(bidirectional)



Point-to-multipoint
(unidirectional)



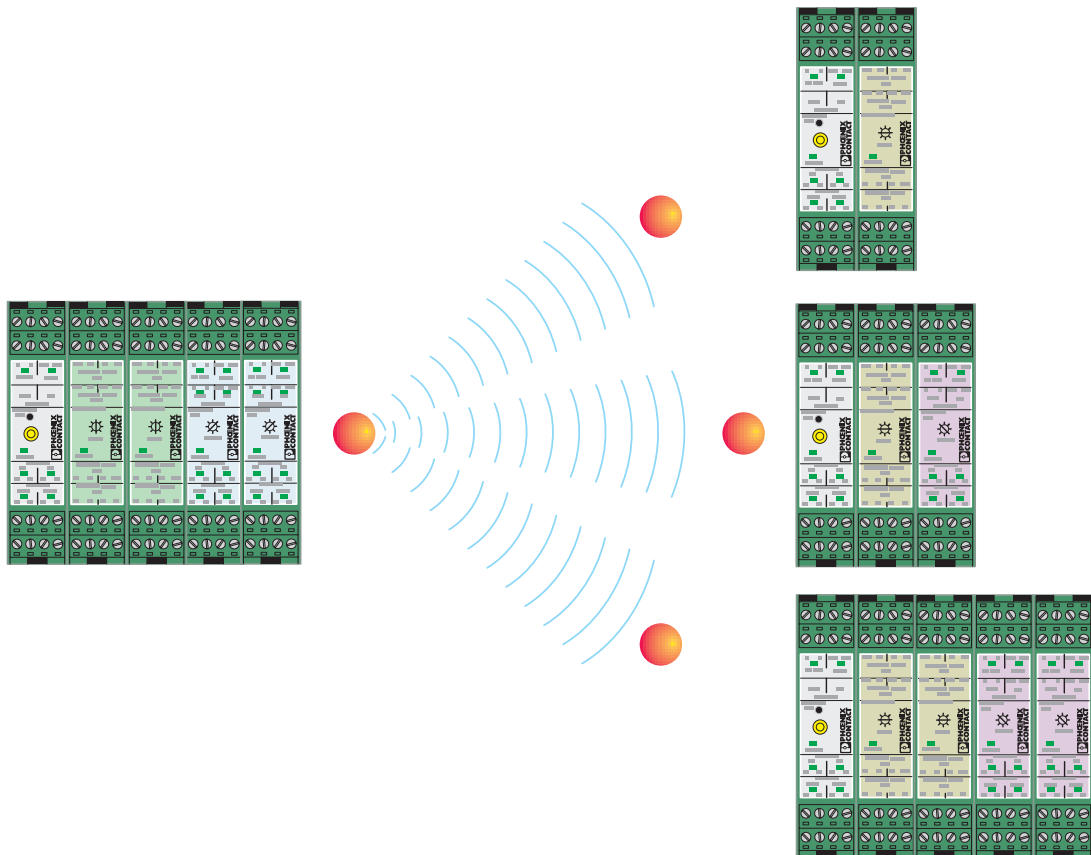
2867733

<https://www.phoenixcontact.com/us/products/2867733>

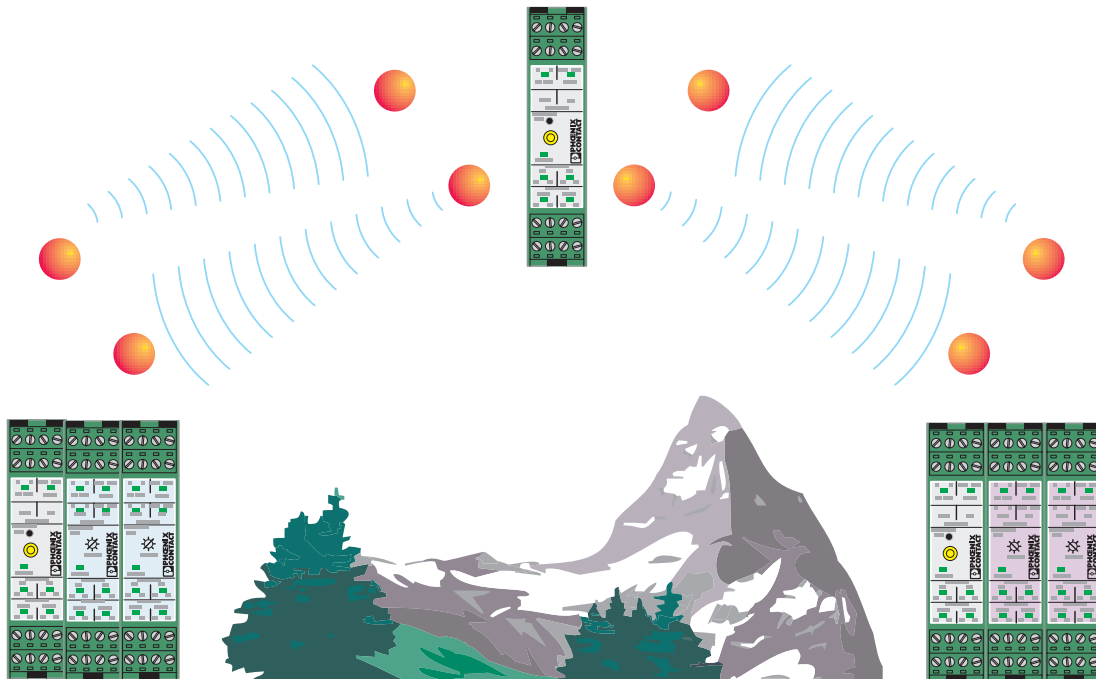
Application drawing



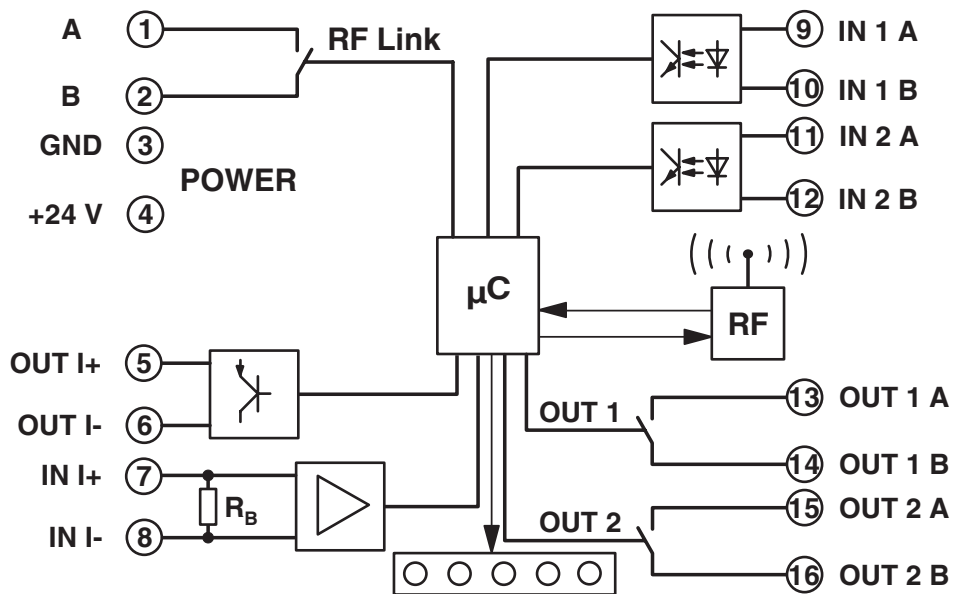
Application drawing



Application drawing



Block diagram



RAD-ISM-2400-SET-BD-BUS-ANT - Wireless module



2867733

<https://www.phoenixcontact.com/us/products/2867733>

Environmental product compliance

EU REACH SVHC

REACH candidate substance (CAS No.)	No substance above 0.1 wt%
-------------------------------------	----------------------------

Phoenix Contact 2026 © - all rights reserved

<https://www.phoenixcontact.com>

Phoenix Contact USA
586 Fulling Mill Road
Middletown, PA 17057, United States
(+717) 944-1300
info@phoenixcon.com