

RAD-ISM-900-SET-BD-BUS-AU - Wireless module



2867487

<https://www.phoenixcontact.com/us/products/2867487>

Please be informed that the data shown in this PDF document is generated from our online catalog. Please find the complete data in the user documentation. Our general terms of use for downloads are valid.



Bidirectional, wireless, 900 MHz transmission system (Australia), made up of 2 transceivers (transmitter and receiver)

Your advantages

- The integrated bus foot enables connection to additional I/O modules
- Status of the wireless connection via a relay (RF link)
- Each transceiver has 1 analog input (4 ... 20 mA) and 2 digital inputs (5 ... 30 V AC/DC), as well as 1 analog output and 2 digital outputs, for direct connection to compatible sensors and actuators and for data transmission in both directions
- Frequency hopping spread spectrum
- Operates in the license-free 902 MHz ... 928 MHz ISM band
- Individual transceivers are listed under Class I, Division 2
- Additional transceivers can be added to configure repeater systems
- Two omnidirectional antennas (optional)
- No additional parameterization or programming required
- Two pre-programmed transceivers that automatically communicate with each other

Commercial data

Item number	2867487
Packing unit	1 pc
Note	Made to order (non-returnable)
Sales key	NULL
Product key	DNC651
GTIN	4046356046879
Weight per piece (including packing)	432.7 g
Weight per piece (excluding packing)	432.7 g
Customs tariff number	85176200
Country of origin	CA

Technical data

Product properties

Product type	Wireless module
--------------	-----------------

Electrical properties

Supply

Supply voltage	24 V DC
Supply voltage range	9 V DC ... 30 V DC
Typical current consumption	75 mA
Max. current consumption	200 mA

Input data

Digital

Input voltage range	5 V AC/DC ... 30 V AC/DC
Switching threshold "0" signal, voltage	max. 1.5 V DC
Switching threshold "1" signal voltage	min. 5 V DC

Analog

Description of the input	Current input (analog input)
Current input signal	4 mA ... 20 mA
Input resistance current input	< 170 Ω

Analog

Description of the input	Voltage input (digital input)
--------------------------	-------------------------------

Output data

Digital

Output name	2x relay output + 1 x RF link
Number of outputs	3
Contact switching type	3 floating N/O contacts
Contact material	Ag, gold-plated
Maximum switching voltage	30 V DC
	250 V AC
Limiting continuous current	2 A

Analog

Output name	Current output
Number of outputs	1
Load/output load current output	700 Ω (at $U_B = 24 \text{ V}$, $R_B = [U_B - 10 \text{ V}] / 20 \text{ mA}$)

Connection data

Connection method	Screw connection
Stripping length	8 mm

RAD-ISM-900-SET-BD-BUS-AU - Wireless module



2867487

<https://www.phoenixcontact.com/us/products/2867487>

Conductor cross-section flexible	0.2 mm ² ... 2.5 mm ²
Conductor cross-section rigid	0.2 mm ² ... 4 mm ²
Cross section AWG	24 ... 14
Screw thread	M3

Interfaces

Wireless

Direction	Bi-directional
Frequency range	915.1 MHz ... 927.8 MHz
Number of channel groups	2
Number of channels per group	63
Transmission power	1 W

Wireless

Frequency band	900 MHz
----------------	---------

Dimensions

Width	22.5 mm
Height	99 mm
Depth	114.5 mm

Material specifications

Color	green
Housing material	Polyamide PA non-reinforced

Environmental and real-life conditions

Ambient conditions

Degree of protection	IP20
Ambient temperature (operation)	-40 °C ... 70 °C -40 °F ... 158 °F
Ambient temperature (storage/transport)	-40 °C ... 85 °C

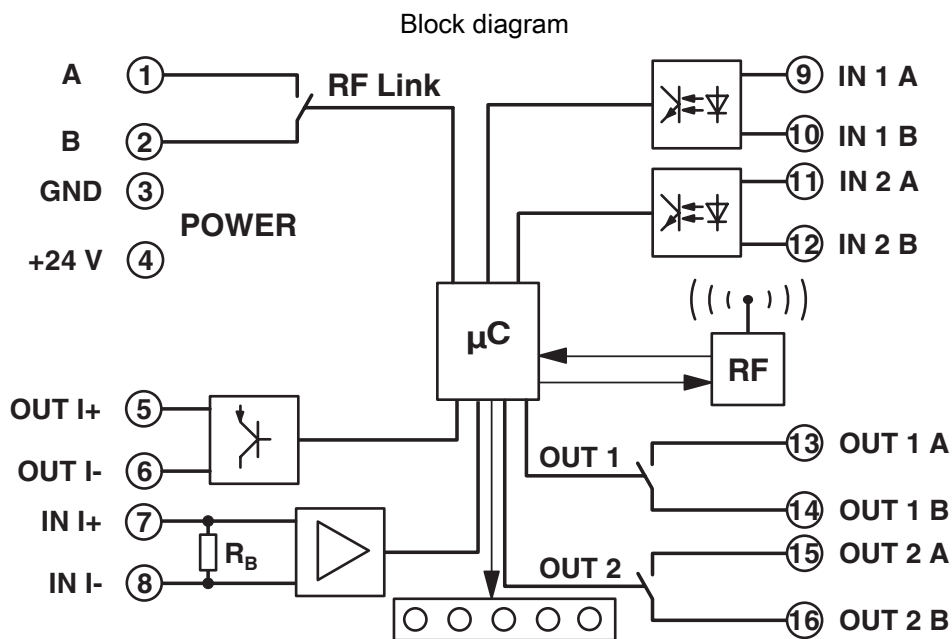
EMC data

Electromagnetic compatibility	FCC Part 15.247
-------------------------------	-----------------

Mounting

Assembly note	on standard DIN rail NS 35 in accordance with EN 60715
Mounting position	any

Drawings



2867487

<https://www.phoenixcontact.com/us/products/2867487>

Environmental product compliance

China RoHS

Environment friendly use period (EFUP)	EFUP-50
	An article-related China RoHS declaration table can be found in the download area for the respective article under "Manufacturer declaration". For all articles with EFUP-E, no China RoHS declaration table issued and required.

EU REACH SVHC

REACH candidate substance (CAS No.)	No substance above 0.1 wt%
-------------------------------------	----------------------------

Phoenix Contact 2026 © - all rights reserved

<https://www.phoenixcontact.com>

Phoenix Contact USA
586 Fulling Mill Road
Middletown, PA 17057, United States
(+717) 944-1300
info@phoenixcon.com