

RAD-ISM-2400-ANT-OMNI-2-1 - Antenna



2867461

<https://www.phoenixcontact.com/us/products/2867461>

Please be informed that the data shown in this PDF document is generated from our online catalog. Please find the complete data in the user documentation. Our general terms of use for downloads are valid.



Omnidirectional antenna, 2.4 GHz, gain: 2 dBi, polarization: linear, opening angle: h/v 360°/75°, degree of protection: IP65, connection: MCX (male), incl. 1.5 m / 5 ft. connecting cable and mounting bracket for panel mounting

Your advantages

- For freely mobile applications
- For multipoint or mesh connections

Commercial data

Item number	2867461
Packing unit	1 pc
Note	Made to order (non-returnable)
Sales key	DN23
Product key	DNN2Z1
GTIN	4017918952761
Weight per piece (including packing)	88.7 g
Weight per piece (excluding packing)	86.7 g
Customs tariff number	85177000
Country of origin	DE

2867461

<https://www.phoenixcontact.com/us/products/2867461>

Technical data

Product properties

Product type	Antenna
Gain	2 dBi
Vertical beamwidth	75 °
Horizontal beamwidth	360 °
Polarization	Linear vertical

Electrical properties

Frequency band	2.4 GHz
Frequency range	2.4 GHz
Impedance	50 Ω
Voltage standing wave ratio VSWR in a 50 Ω system	≤ 2.00

Connection data

Connection technology

Connection method	MCX (male)
-------------------	------------

Dimensions

Width	7.8 mm
Height	82.5 mm

Material specifications

Material	Polyurethane
	Polycarbonate PC
	V2A
Outer sheath, material	Fluorinated ethylene propylene (FEP)

Cable/line

Cable length	1.50 m
Connecting cable	yes
External cable diameter	2.50 mm
Outer sheath, material	Fluorinated ethylene propylene (FEP)
Smallest bending radius, fixed installation	25.4 mm

Environmental and real-life conditions

Ambient conditions

Degree of protection	IP65
Ambient temperature (operation)	-20 °C ... 65 °C
Ambient temperature (storage/transport)	-30 °C ... 75 °C

Mounting

RAD-ISM-2400-ANT-OMNI-2-1 - Antenna



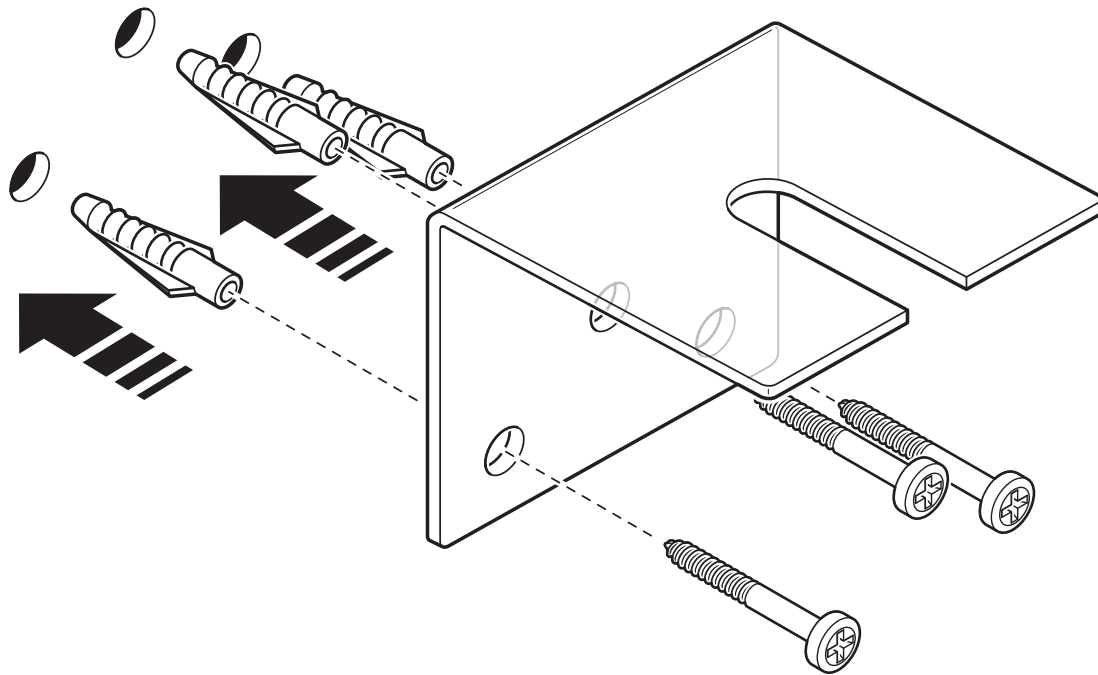
2867461

<https://www.phoenixcontact.com/us/products/2867461>

Mounting type	Panel mounting
---------------	----------------

Drawings

Schematic diagram



Panel mounting

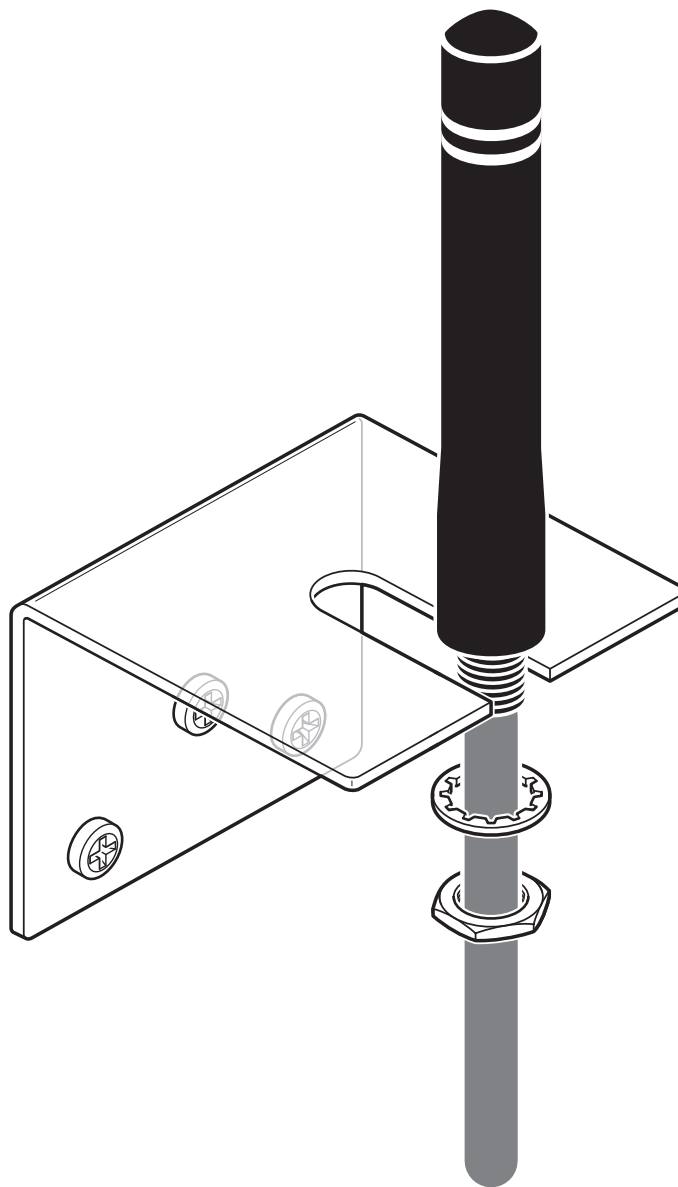
RAD-ISM-2400-ANT-OMNI-2-1 - Antenna



2867461

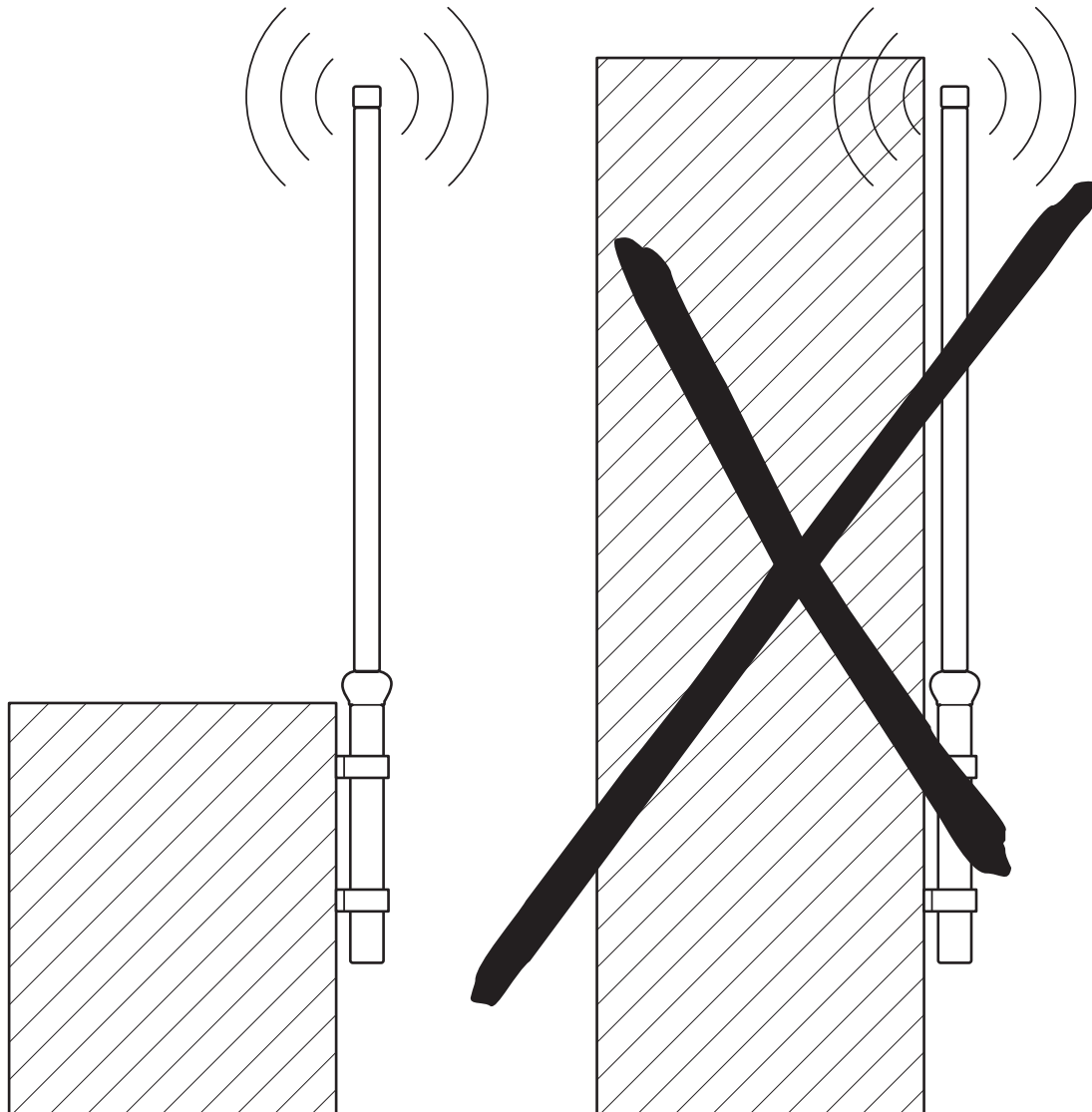
<https://www.phoenixcontact.com/us/products/2867461>

Schematic diagram



Panel mounting

Schematic diagram



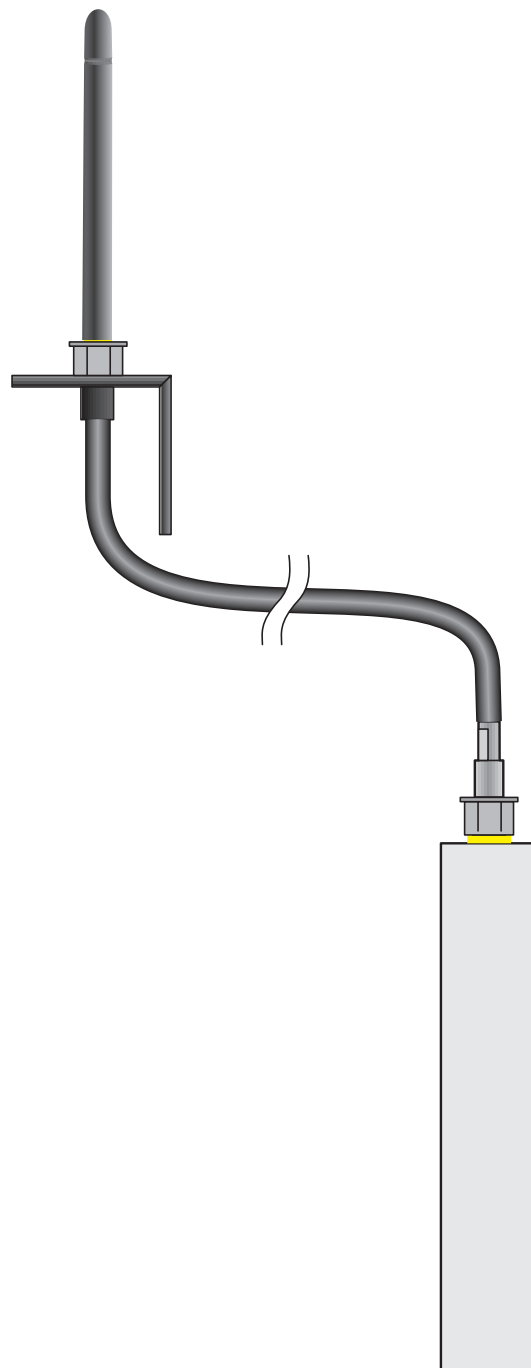
RAD-ISM-2400-ANT-OMNI-2-1 - Antenna

2867461

<https://www.phoenixcontact.com/us/products/2867461>



Schematic diagram



Installation example

RAD-ISM-2400-ANT-OMNI-2-1 - Antenna



2867461

<https://www.phoenixcontact.com/us/products/2867461>

Environmental product compliance

China RoHS

Environment friendly use period (EFUP)	EFUP-E
	No hazardous substances above the limits

EU REACH SVHC

REACH candidate substance (CAS No.)	No substance above 0.1 wt%
-------------------------------------	----------------------------

Phoenix Contact 2026 © - all rights reserved
<https://www.phoenixcontact.com>

Phoenix Contact USA
586 Fulling Mill Road
Middletown, PA 17057, United States
(+717) 944-1300
info@phoenixcon.com