

RAD-ISM-900-SET-DC-UD-AU - Wireless module



2867432

<https://www.phoenixcontact.com/us/products/2867432>

Please be informed that the data shown in this PDF document is generated from our online catalog. Please find the complete data in the user documentation. Our general terms of use for downloads are valid.

Unidirectional, wireless, 900 MHz transmission system (Australia), consists of an outdoor transmitter (transmitter, Tx) with 9...30 V DC supply, a DIN-mountable receiver (receiver, Rx) with 12...30 V DC supply, and antennas



Commercial data

Item number	2867432
Packing unit	1 pc
Note	Made to order (non-returnable)
Sales key	DN26
Product key	DNC651
GTIN	4046356046831
Weight per piece (including packing)	888.88 g
Weight per piece (excluding packing)	888.88 g
Customs tariff number	85176990
Country of origin	CA

2867432

<https://www.phoenixcontact.com/us/products/2867432>

Technical data

Product properties

Product type	Wireless module
--------------	-----------------

Electrical properties

Supply Receiver

Supply voltage	24 V DC (at U_B)
Supply voltage range	12 V DC ... 30 V DC
Typical current consumption	85 mA
Max. current consumption	125 mA

Supply Transmitter

Supply voltage	24 V DC
Supply voltage range	9 V DC ... 30 V DC
Typical current consumption	75 mA
Max. current consumption	350 mA

Input data

Digital

Input voltage range	5 V AC/DC ... 30 V AC/DC
Switching threshold "0" signal, voltage	max. 1.5 V DC
Switching threshold "1" signal voltage	min. 5 V DC

Analog

Description of the input	Current input (analog input)
Current input signal	4 mA ... 20 mA
Input resistance current input	< 170 Ω

Analog

Description of the input	Voltage input (digital input)
--------------------------	-------------------------------

Output data

Digital

Output name	2x relay output + 1 x RF link
Contact switching type	3 floating changeover contacts
Contact material	Ag, gold-plated
Maximum switching voltage	30 V DC 120 V AC
Limiting continuous current	0.5 A
Service life electrical	8x 10 ⁵ cycles at a switching current of 0.5 A
Mechanical service life	1x 10 ⁷

Analog

RAD-ISM-900-SET-DC-UD-AU - Wireless module



2867432

<https://www.phoenixcontact.com/us/products/2867432>

Output name	Current output
Current output signal	4 mA ... 20 mA
Load/output load current output	700 Ω (at $U_B = 24\text{ V}$, $R_B = [U_B - 10\text{ V}] / 20\text{ mA}$)

Connection data

Screw thread	M3
--------------	----

Interfaces

Wireless

Direction	Uni-directional
Number of channel groups	2
Number of channels per group	63

Wireless

Direction	Uni-directional
Frequency range	915.1 MHz ... 927.8 MHz
Number of channel groups	2
Number of channels per group	63
Transmission power	1 W

Wireless

Frequency range	915.1 MHz ... 927.8 MHz
-----------------	-------------------------

Wireless

Frequency band	900 MHz
----------------	---------

Dimensions

Width	17.5 mm
Height	99 mm
Depth	114.5 mm

Environmental and real-life conditions

Ambient conditions

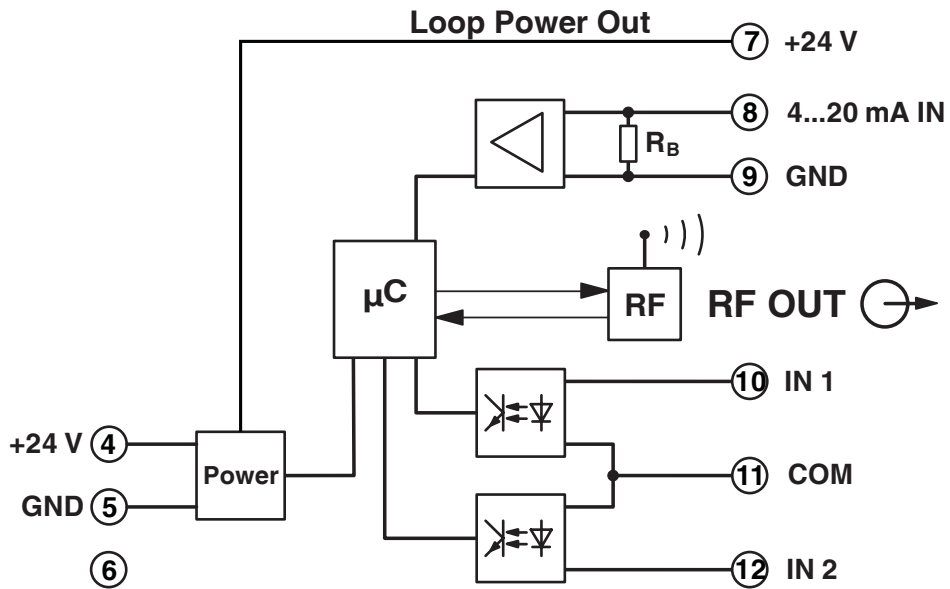
Degree of protection	IP65
	IP20
	IP20
Ambient temperature (operation)	-40 °C ... 70 °C
	-40 °F ... 158 °F
Ambient temperature (storage/transport)	-40 °C ... 85 °C

EMC data

Electromagnetic compatibility	FCC Part 15.247
-------------------------------	-----------------

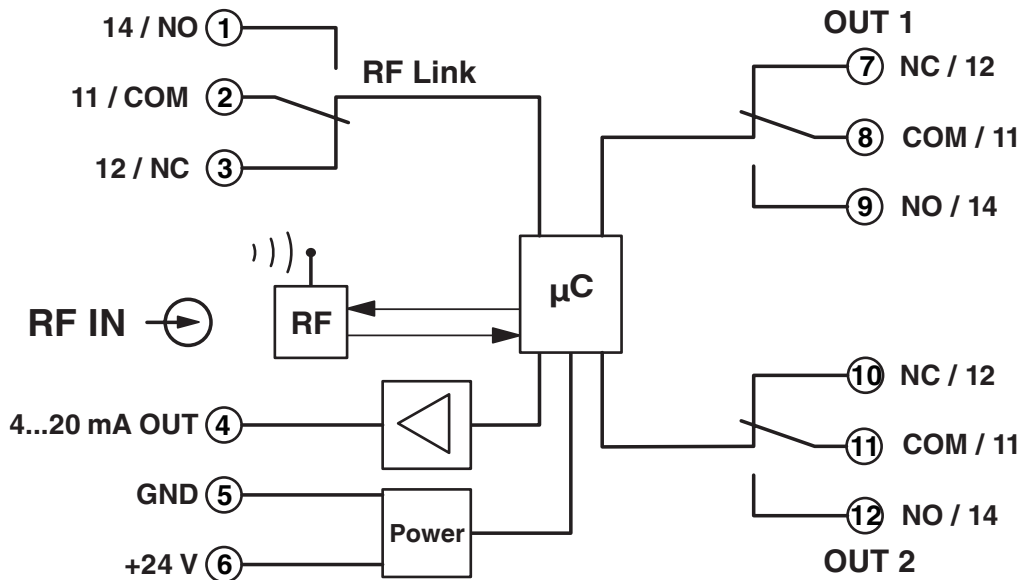
Drawings

Block diagram



Transmitter module

Block diagram



Receiver module

RAD-ISM-900-SET-DC-UD-AU - Wireless module



2867432

<https://www.phoenixcontact.com/us/products/2867432>

Classifications

UNSPSC

UNSPSC 21.0	43222600
-------------	----------

2867432

<https://www.phoenixcontact.com/us/products/2867432>

Environmental product compliance

China RoHS

Environment friendly use period (EFUP)	EFUP-50
	An article-related China RoHS declaration table can be found in the download area for the respective article under "Manufacturer declaration". For all articles with EFUP-E, no China RoHS declaration table issued and required.

EU REACH SVHC

REACH candidate substance (CAS No.)	No substance above 0.1 wt%
-------------------------------------	----------------------------

Phoenix Contact 2026 © - all rights reserved

<https://www.phoenixcontact.com>

Phoenix Contact USA
586 Fulling Mill Road
Middletown, PA 17057, United States
(+717) 944-1300
info@phoenixcon.com