

RAD-ISM-2400-SET-UD-ANT - Wireless module



2867283

<https://www.phoenixcontact.com/us/products/2867283>

Please be informed that the data shown in this PDF document is generated from our online catalog. Please find the complete data in the user documentation. Our general terms of use for downloads are valid.



Unidirectional, wireless, 2400 MHz transmission system, comprising a transmitter (Tx) and a receiver (Rx)

Your advantages

- Trusted Wireless technology with frequency hopping method
- No parameterization or programming required
- License-free 2.4 GHz ISM band

Commercial data

Item number	2867283
Packing unit	1 pc
Note	Made to order (non-returnable)
Sales key	DN26
Product key	DNC652
GTIN	4017918946708
Weight per piece (including packing)	560.3 g
Weight per piece (excluding packing)	530.3 g
Customs tariff number	85176990
Country of origin	CA

Technical data

Product properties

Product type	Wireless module
--------------	-----------------

Electrical properties

Supply Receiver

Supply voltage	24 V DC -50 % / +25 % (at U_B)
Supply voltage range	12 V DC ... 30 V DC
Typical current consumption	54 mA
Max. current consumption	120 mA

Supply Transmitter

Supply voltage	24 V DC -50 % / +25 %
Supply voltage range	12 V DC ... 30 V DC
Typical current consumption	35 mA
Max. current consumption	45 mA

Input data

Digital

Input voltage range	5 V AC/DC ... 30 V AC/DC
Switching threshold "0" signal, voltage	max. 1.5 V DC
Switching threshold "1" signal voltage	min. 5 V DC

Analog

Description of the input	Current input (analog input)
Current input signal	4 mA ... 20 mA
Input resistance current input	< 170 Ω

Analog

Description of the input	Voltage input (digital input)
--------------------------	-------------------------------

Output data

Digital

Output name	2x relay output + 1 x RF link
Contact switching type	3 floating changeover contacts
Contact material	Ag, gold-plated
Maximum switching voltage	30 V DC 30 V AC
Limiting continuous current	0.5 A
Service life electrical	8x 10 ⁵ cycles at a switching current of 0.5 A
Mechanical service life	1x 10 ⁷

Analog

2867283

<https://www.phoenixcontact.com/us/products/2867283>

Output name	Current output
Current output signal	4 mA ... 20 mA
Load/output load current output	700 Ω (at $U_B = 24\text{ V}$, $R_B = [U_B - 10\text{ V}] / 20\text{ mA}$)

Connection data

Connection method	Screw connection
Stripping length	8 mm
Conductor cross-section flexible	0.2 mm ² ... 2.5 mm ²
Conductor cross-section rigid	0.2 mm ² ... 2.5 mm ²
Cross section AWG	24 ... 14
Screw thread	M3

Interfaces

Wireless

Direction	Uni-directional
-----------	-----------------

Wireless

Direction	Uni-directional
Frequency range	2.4032 GHz ... 2.4799 GHz
Channel distance	100 kHz
Number of channel groups	9
Number of channels per group	63
Transmission power	10 mW

Wireless

Frequency band	2.4 GHz
----------------	---------

Dimensions

Width	17.5 mm
Height	99 mm
Depth	114.5 mm

Material specifications

Color (Housing)	green (RAL 6021)
Material (Housing)	Polyamide

Environmental and real-life conditions

Ambient conditions

Degree of protection	IP20
Degree of protection	IP20
Degree of protection	IP20
Ambient temperature (operation) (Set)	-20 °C ... 65 °C
Ambient temperature (operation)	-4 °F ... 149 °F
Ambient temperature (storage/transport)	-40 °C ... 85 °C

2867283

<https://www.phoenixcontact.com/us/products/2867283>

Approvals

CE

Certificate	CE-compliant
-------------	--------------

ATEX

Identification	Ⓜ II 3 G EEx nL IIC
Note	Please follow the special installation instructions in the documentation!

IECEX

Identification	Ex nL IIC T4
----------------	--------------

EMC data

Electromagnetic compatibility	Conformance with R&TTE directive 1999/5/EC
-------------------------------	--

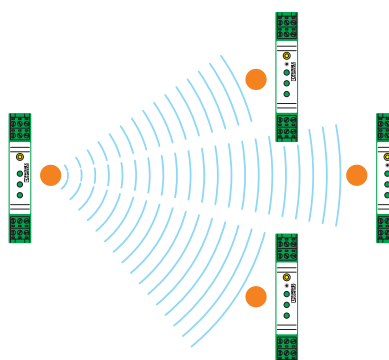
Drawings

Application drawing

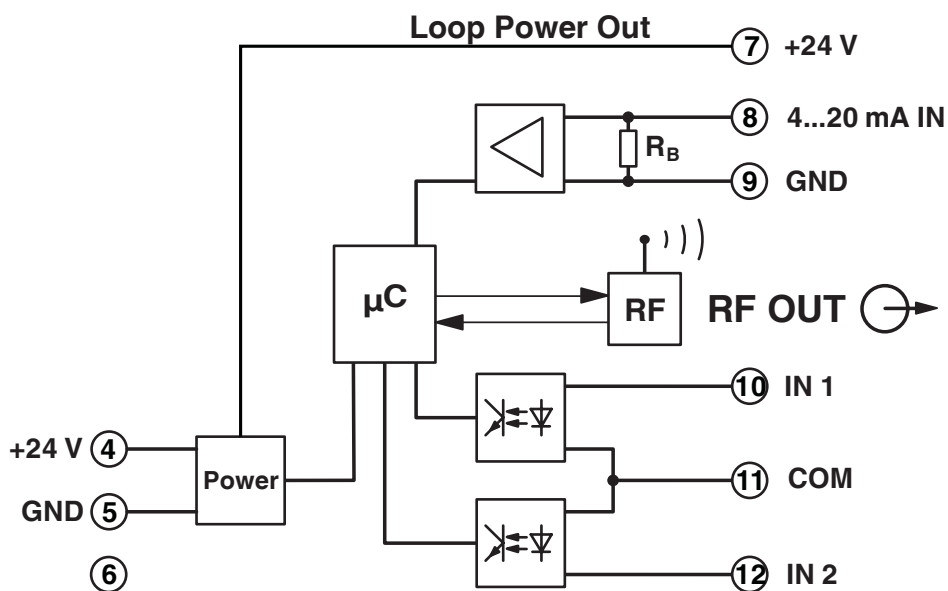
Point-to-point



Point-to-multipoint



Block diagram



Transmitter module

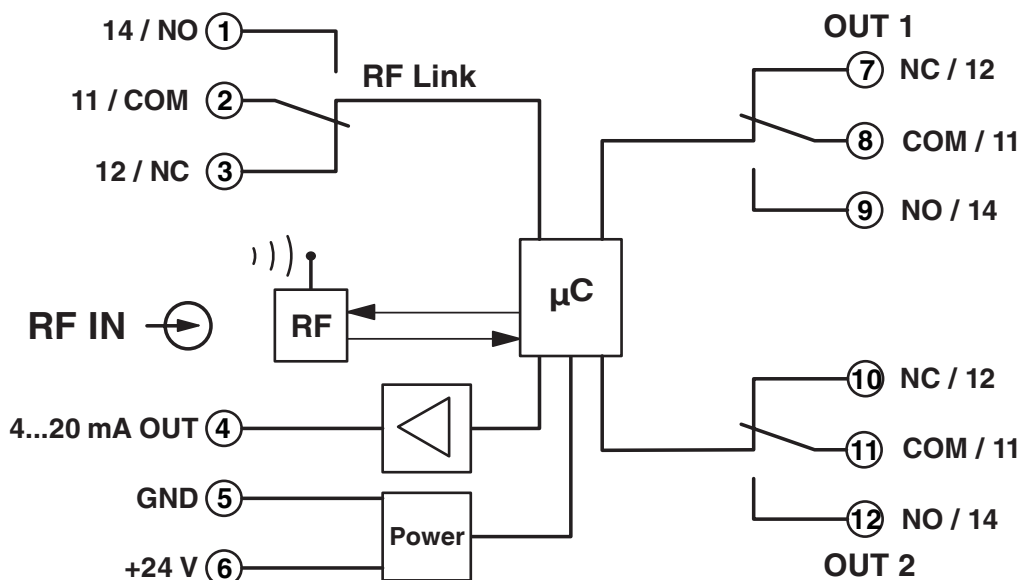
RAD-ISM-2400-SET-UD-ANT - Wireless module



2867283

<https://www.phoenixcontact.com/us/products/2867283>

Block diagram



Receiver module

RAD-ISM-2400-SET-UD-ANT - Wireless module



2867283

<https://www.phoenixcontact.com/us/products/2867283>

Environmental product compliance

EU REACH SVHC

REACH candidate substance (CAS No.)	
-------------------------------------	--

	No substance above 0.1 wt%
--	----------------------------

Phoenix Contact 2026 © - all rights reserved

<https://www.phoenixcontact.com>

Phoenix Contact USA
586 Fulling Mill Road
Middletown, PA 17057, United States
(+717) 944-1300
info@phoenixcon.com