

RAD-ISM-900-ANT-OMNI-5 - Antenna



2867199

<https://www.phoenixcontact.com/us/products/2867199>

Please be informed that the data shown in this PDF document is generated from our online catalog. Please find the complete data in the user documentation. Our general terms of use for downloads are valid.

Omnidirectional antenna, 900 MHz, gain: 7 dBi, polarization: linear, opening angle: h/v 360°/30°, degree of protection: IP65, connection: N (female), incl. mounting bracket and mast clips



Your advantages

- For freely mobile applications
- For multipoint or mesh connections

Commercial data

Item number	2867199
Packing unit	1 pc
Note	Made to order (non-returnable)
Sales key	DN23
Product key	DNC6A3
GTIN	4017918931681
Weight per piece (including packing)	515 g
Weight per piece (excluding packing)	515 g
Customs tariff number	85177000
Country of origin	US

Technical data

Product properties

Product type	Antenna
Gain	7 dBi
Vertical beamwidth	30 °
Horizontal beamwidth	360 °
Polarization	Linear vertical

Electrical properties

Frequency band	900 MHz
Frequency range	900 MHz
Impedance	50 Ω
Voltage standing wave ratio VSWR in a 50 Ω system	≤ 2.00

Connection data

Connection technology

Connection method	N (female)
Outside diameter	38 mm ... 57 mm (Mast)

Dimensions

Width	0.3 cm
Height	60.9 cm

External dimensions

Outside diameter	38 mm ... 57 mm (Mast)
------------------	------------------------

Material specifications

Material	galvanized sheet steel
	V2A

Cable/line

Connecting cable	no
------------------	----

Environmental and real-life conditions

Ambient conditions

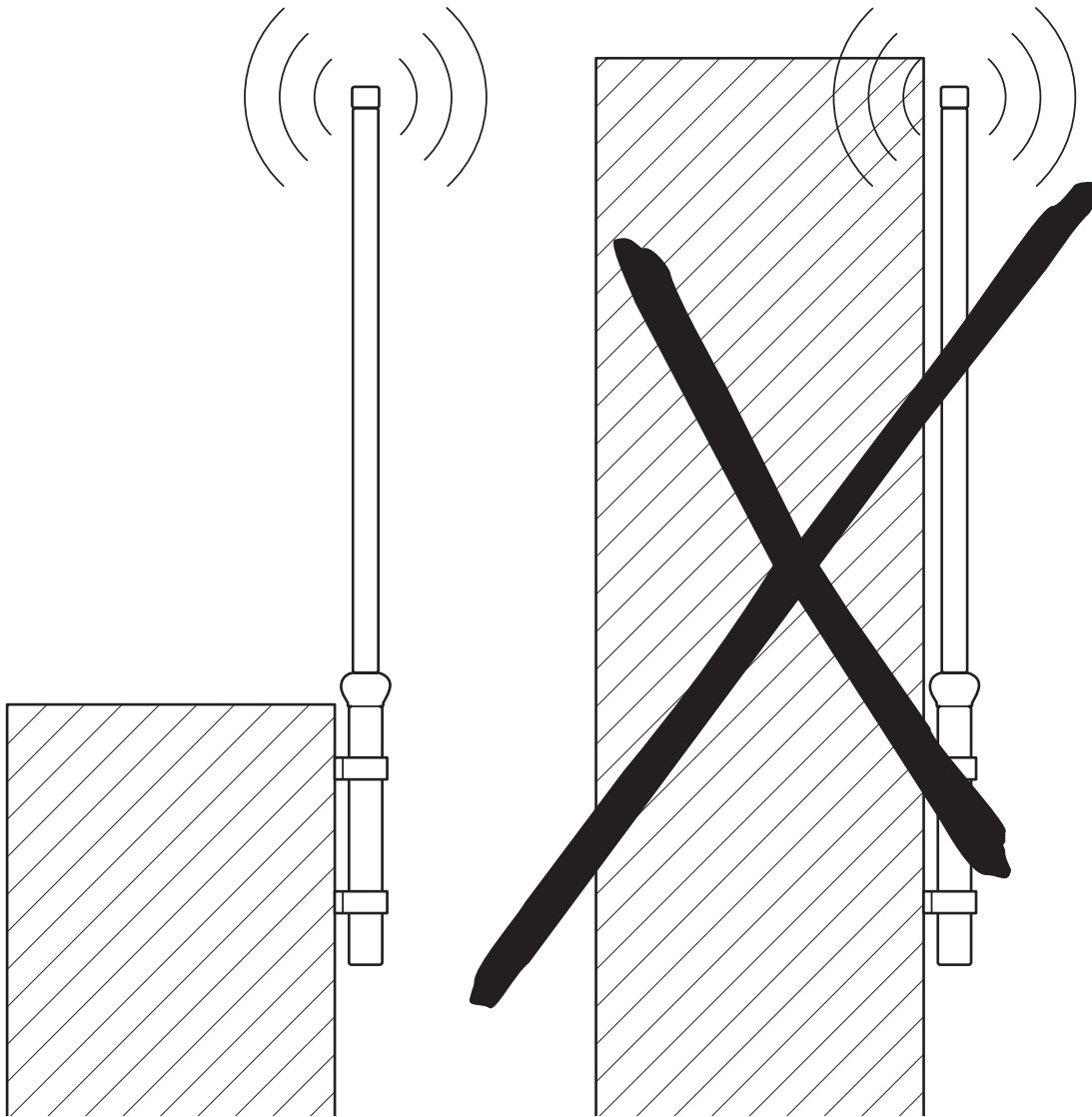
Degree of protection	IP65
Ambient temperature (operation)	-40 °C ... 80 °C
Wind velocity	12.34568 km/h

Mounting

Mounting type	Mast mounting or panel mounting
---------------	---------------------------------

Drawings

Schematic diagram

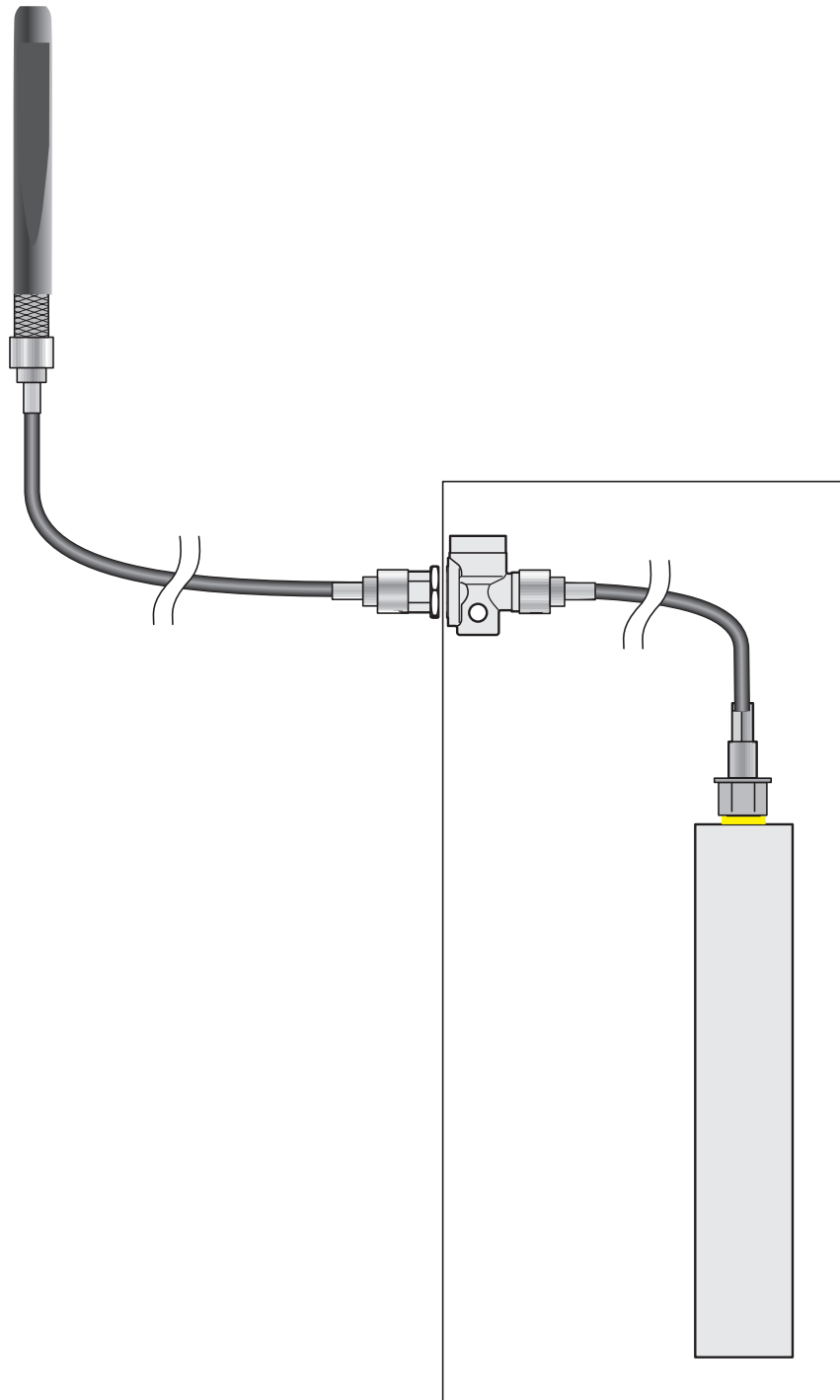


RAD-ISM-900-ANT-OMNI-5 - Antenna

2867199

<https://www.phoenixcontact.com/us/products/2867199>

Schematic diagram



Installation example

RAD-ISM-900-ANT-OMNI-5 - Antenna



2867199

<https://www.phoenixcontact.com/us/products/2867199>

Classifications

UNSPSC

UNSPSC 21.0	43223100
-------------	----------

RAD-ISM-900-ANT-OMNI-5 - Antenna



2867199

<https://www.phoenixcontact.com/us/products/2867199>

Environmental product compliance

China RoHS

Environment friendly use period (EFUP)	EFUP-E
	No hazardous substances above the limits

EU REACH SVHC

REACH candidate substance (CAS No.)	No substance above 0.1 wt%
-------------------------------------	----------------------------

Phoenix Contact 2026 © - all rights reserved
<https://www.phoenixcontact.com>

Phoenix Contact USA
586 Fulling Mill Road
Middletown, PA 17057, United States
(+717) 944-1300
info@phoenixcon.com