

# RAD-OUT-8D-REL - Extension module



2867157

<https://www.phoenixcontact.com/us/products/2867157>

Please be informed that the data shown in this PDF document is generated from our online catalog. Please find the complete data in the user documentation. Our general terms of use for downloads are valid.

Digital extension module with 8 digital outputs



## Commercial data

Item number	2867157
Packing unit	1 pc
Note	Made to order (non-returnable)
Sales key	DN26
Product key	DNC654
GTIN	4017918929657
Weight per piece (including packing)	201.8 g
Weight per piece (excluding packing)	195.4 g
Customs tariff number	85371098
Country of origin	CA

## Technical data

### Product properties

Product type	Extension module
--------------	------------------

### Electrical properties

Maximum power dissipation for nominal condition	1.8 W
---	-------

#### Brake to be connected

Connection method	Screw connection
-------------------	------------------

#### Supply

Supply voltage range	9 V DC ... 30 V DC (via bus foot)
Typical current consumption	100 mA
Max. current consumption	160 mA

### Input data

Input frequency	max. 1 Hz
-----------------	-----------

### Output data

#### Digital

Output name	Relay output
Number of outputs	8
Maximum switching voltage	30 V AC/DC (EC Declaration of Conformity)
	30 V DC (in acc. with UL)
	250 V AC (in acc. with UL)
Limiting continuous current	0.5 A (EC Declaration of Conformity)
	2 A (in acc. with UL)

#### Analog

Load/output load current output	at $U_B = 24 \text{ V}$ , $R_B = [U_B - 10 \text{ V}] / 20 \text{ mA}$
---------------------------------	--

### Connection data

Connection method	Screw connection
Stripping length	8 mm
Conductor cross-section flexible	0.2 mm <sup>2</sup> ... 2.5 mm <sup>2</sup>
Conductor cross-section rigid	0.2 mm <sup>2</sup> ... 4 mm <sup>2</sup>
Cross section AWG	24 ... 14
Screw thread	M3

### Dimensions

Width	22.5 mm
Height	99 mm
Depth	114.5 mm

# RAD-OUT-8D-REL - Extension module



2867157

<https://www.phoenixcontact.com/us/products/2867157>

## Material specifications

Color (Housing)	green (RAL 6021)
Material (Housing)	Polyamide

## Environmental and real-life conditions

### Ambient conditions

Degree of protection	IP20
Ambient temperature (operation)	-20 °C ... 65 °C -4 °F ... 149 °F
Ambient temperature (storage/transport)	-40 °C ... 85 °C

## Approvals

### CE

Certificate	CE-compliant
-------------	--------------

### UL, USA/Canada

Identification	Class I, Div. 2, Groups A, B, C, D
----------------	------------------------------------

## Mounting

Assembly note	on standard DIN rail NS 35 in accordance with EN 60715
Mounting position	any

# RAD-OUT-8D-REL - Extension module

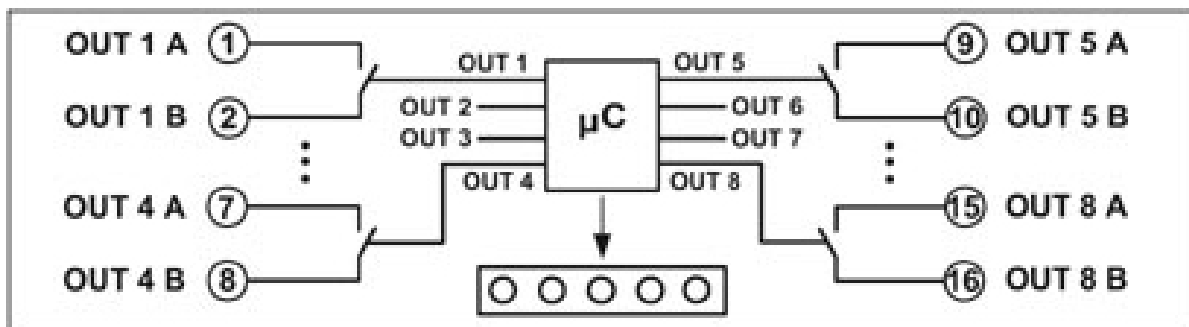


2867157

<https://www.phoenixcontact.com/us/products/2867157>

## Drawings

Block diagram



# RAD-OUT-8D-REL - Extension module



2867157

<https://www.phoenixcontact.com/us/products/2867157>

## Environmental product compliance

### China RoHS

Environment friendly use period (EFUP)	EFUP-E
	No hazardous substances above the limits

### EU REACH SVHC

REACH candidate substance (CAS No.)	No substance above 0.1 wt%
-------------------------------------	----------------------------

Phoenix Contact 2026 © - all rights reserved  
<https://www.phoenixcontact.com>

Phoenix Contact USA  
586 Fulling Mill Road  
Middletown, PA 17057, United States  
(+717) 944-1300  
[info@phoenixcon.com](mailto:info@phoenixcon.com)