

RAD-IN-8D - Extension module

2867144

<https://www.phoenixcontact.com/us/products/2867144>

Please be informed that the data shown in this PDF document is generated from our online catalog. Please find the complete data in the user documentation. Our general terms of use for downloads are valid.

Digital extension module with 8 digital inputs



Commercial data

Item number	2867144
Packing unit	1 pc
Note	Made to order (non-returnable)
Sales key	DN26
Product key	DNC654
GTIN	4017918929640
Weight per piece (including packing)	163.4 g
Weight per piece (excluding packing)	163.4 g
Customs tariff number	85177000
Country of origin	CA

RAD-IN-8D - Extension module



2867144

<https://www.phoenixcontact.com/us/products/2867144>

Technical data

Product properties

Product type	Extension module
--------------	------------------

Electrical properties

Maximum power dissipation for nominal condition	0.72 W
---	--------

Brake to be connected

Connection method	Screw connection
-------------------	------------------

Supply

Supply voltage range	9 V DC ... 30 V DC (via bus foot)
Typical current consumption	25 mA
Max. current consumption	30 mA

Input data

Digital

Input voltage range	5 V AC/DC ... 30 V AC/DC
Switching threshold "0" signal, voltage	max. 1.5 V DC
Switching threshold "1" signal voltage	min. 5 V DC

Digital

Description of the input	Voltage input
Number of inputs	8
Voltage input signal	5 V AC/DC ... 30 V AC/DC
Input frequency	max. 1 Hz

Output data

Analog

Load/output load current output	at $U_B = 24 \text{ V}$, $R_B = [U_B - 10 \text{ V}] / 20 \text{ mA}$
---------------------------------	--

Connection data

Connection method	Screw connection
Stripping length	8 mm
Conductor cross-section flexible	0.2 mm ² ... 2.5 mm ²
Conductor cross-section rigid	0.2 mm ² ... 4 mm ²
Cross section AWG	24 ... 14
Screw thread	M3

Dimensions

Width	22.5 mm
Height	99 mm
Depth	114.5 mm

RAD-IN-8D - Extension module



2867144

<https://www.phoenixcontact.com/us/products/2867144>

Material specifications

Color (Housing)	green (RAL 6021)
Material (Housing)	Polyamide

Environmental and real-life conditions

Ambient conditions

Degree of protection	IP20
Ambient temperature (operation)	-20 °C ... 65 °C -4 °F ... 149 °F
Ambient temperature (storage/transport)	-40 °C ... 85 °C

Approvals

CE

Certificate	CE-compliant
-------------	--------------

UL, USA/Canada

Identification	Class I, Div. 2, Groups A, B, C, D
----------------	------------------------------------

Mounting

Assembly note	on standard DIN rail NS 35 in accordance with EN 60715
Mounting position	any

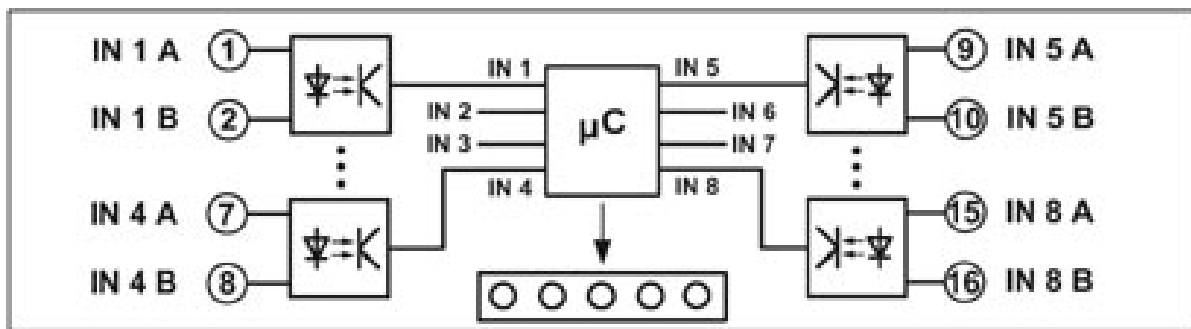
RAD-IN-8D - Extension module

2867144

<https://www.phoenixcontact.com/us/products/2867144>

Drawings

Block diagram



RAD-IN-8D - Extension module



2867144

<https://www.phoenixcontact.com/us/products/2867144>

Environmental product compliance

China RoHS

Environment friendly use period (EFUP)	EFUP-E
	No hazardous substances above the limits

EU REACH SVHC

REACH candidate substance (CAS No.)	No substance above 0.1 wt%
-------------------------------------	----------------------------

Phoenix Contact 2026 © - all rights reserved
<https://www.phoenixcontact.com>

Phoenix Contact USA
586 Fulling Mill Road
Middletown, PA 17057, United States
(+717) 944-1300
info@phoenixcon.com