

RAD-ISM-900-DATA-BD - Wireless module

2867131

<https://www.phoenixcontact.com/us/products/2867131>

Please be informed that the data shown in this PDF document is generated from our online catalog. Please find the complete data in the user documentation. Our general terms of use for downloads are valid.



Wireless transceiver (transmitter and receiver) with RS-232, RS-485/RS-422 interface, for 900 MHz ISM band (America)

Your advantages

- Provides an interface for I/O data transmission between a 900 MHz wireless transmission system and RS-232, RS-422 or RS-485 interfaces
- The individual devices can be configured as master, slave or repeater
- Can be programmed for point-to-point, point-to-multipoint, and multipoint-to-point configurations
- Frequency hopping spread spectrum
- Up to 254 slaves can be connected to one master
- Operates in the license-free 902 MHz ... 928 MHz ISM band

Commercial data

Item number	2867131
Packing unit	1 pc
Minimum order quantity	1 pc
Sales key	DN26
Product key	DNC651
GTIN	4017918931643
Weight per piece (including packing)	222.9 g
Weight per piece (excluding packing)	206.5 g
Customs tariff number	85176200
Country of origin	CA

Technical data

Product properties

Product type	Wireless module
--------------	-----------------

Electrical properties

Supply

Supply voltage	24 V DC
Supply voltage range	9 V DC ... 30 V DC
Typical current consumption	110 mA
Max. current consumption	180 mA

Connection data

Connection method	Screw connection
Stripping length	8 mm
Conductor cross-section flexible	0.2 mm ² ... 2.5 mm ²
Conductor cross-section rigid	0.2 mm ² ... 4 mm ²
Cross section AWG	24 ... 12
Screw thread	M3

Interfaces

Serial: RS-232

Data rate	1,2 / 2,4 / 9,6 / 19,2 / 38,4 kBit/s
Connection method	D-SUB-9 female connector
File format/coding	Asynchronous
Data flow control/protocols	RTS/CTS

Serial: RS-485/RS-422

Data rate	1,2 / 2,4 / 9,6 / 19,2 / 38,4 kBit/s
Connection method	COMBICON plug-in screw terminal block

Wireless

Direction	Bi-directional
Frequency	900 MHz
Frequency range	902 MHz ... 928 MHz
Number of channel groups	4
Number of channels per group	63
Transmission power	1 W

Wireless

Frequency band	900 MHz
----------------	---------

Dimensions

Width	22.5 mm
-------	---------

2867131

<https://www.phoenixcontact.com/us/products/2867131>

Height	99 mm
Depth	114.5 mm

Material specifications

Color	green
Housing material	Polyamide PA non-reinforced

Environmental and real-life conditions

Ambient conditions

Degree of protection	IP20
Ambient temperature (operation)	-40 °C ... 70 °C
	-40 °F ... 158 °F
Ambient temperature (storage/transport)	-40 °C ... 85 °C

Approvals

Conformity/Approvals

Conformance	FCC Directive, Part 15.247
	ISC Directive RSS 210
UL, USA / Canada	Class I, Div. 2, Groups A, B, C, D

EMC data

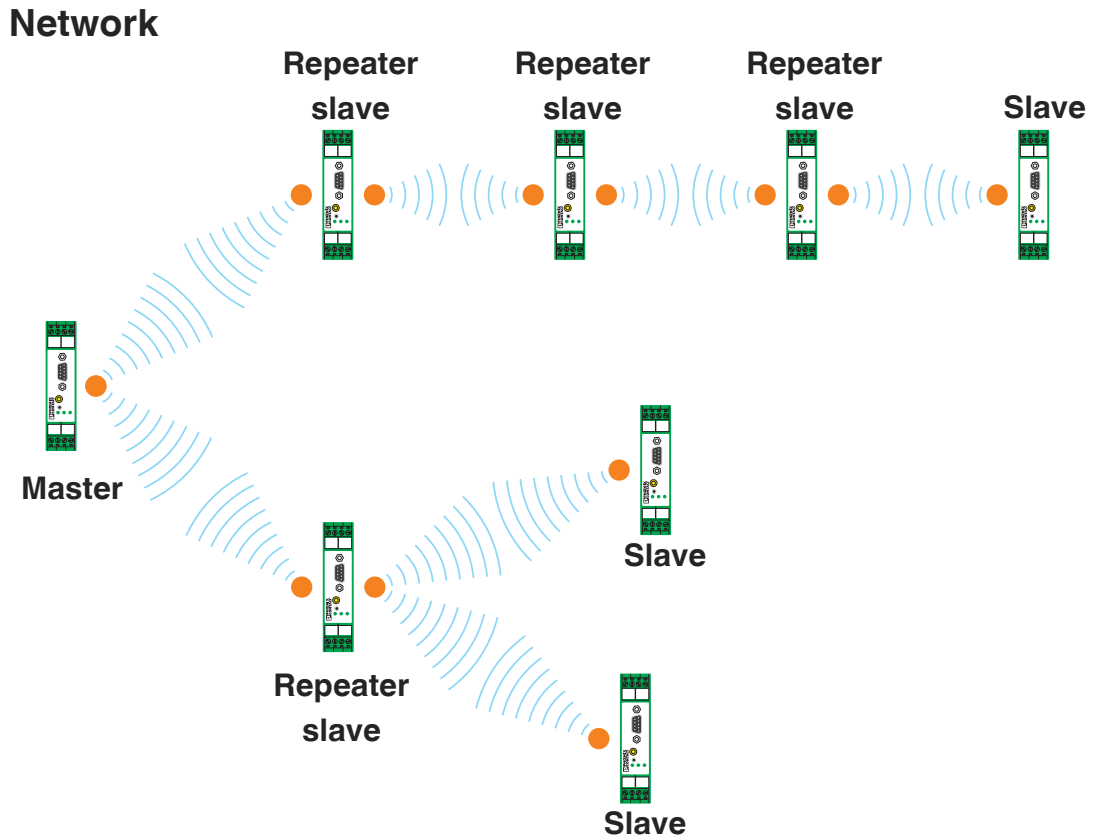
Electromagnetic compatibility	FCC Part 15.247 / ISC RSS 210
-------------------------------	-------------------------------

Mounting

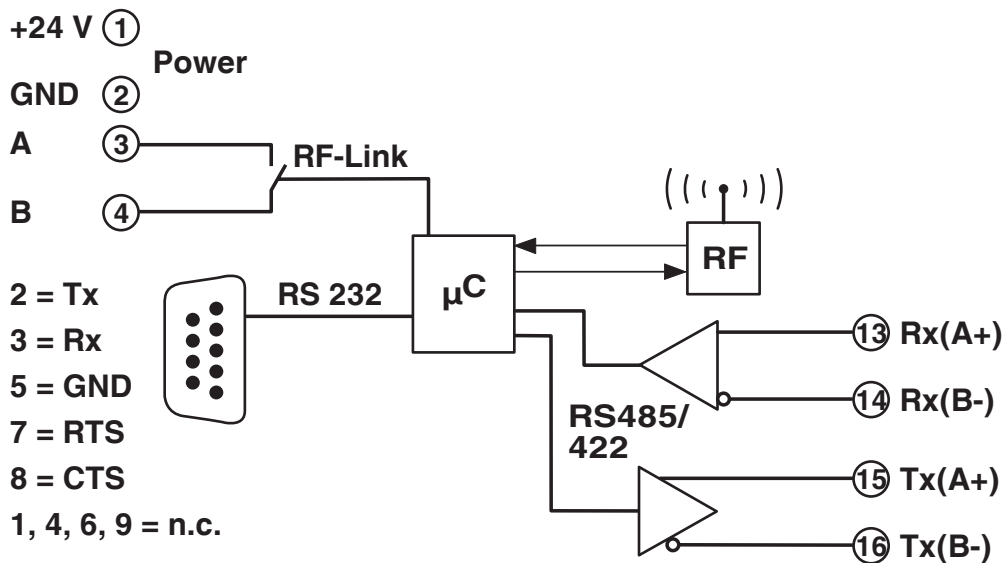
Assembly note	on standard DIN rail NS 35 in accordance with EN 60715
Mounting position	any

Drawings

Application drawing



Block diagram



2867131

<https://www.phoenixcontact.com/us/products/2867131>

Environmental product compliance

China RoHS

Environment friendly use period (EFUP)	EFUP-50
	An article-related China RoHS declaration table can be found in the download area for the respective article under "Manufacturer declaration". For all articles with EFUP-E, no China RoHS declaration table issued and required.

EU REACH SVHC

REACH candidate substance (CAS No.)	No substance above 0.1 wt%
-------------------------------------	----------------------------

Phoenix Contact 2026 © - all rights reserved

<https://www.phoenixcontact.com>

Phoenix Contact USA
586 Fulling Mill Road
Middletown, PA 17057, United States
(+717) 944-1300
info@phoenixcon.com