

RAD-IN-4A-I - Extension module



2867115

<https://www.phoenixcontact.com/us/products/2867115>

Please be informed that the data shown in this PDF document is generated from our online catalog. Please find the complete data in the user documentation. Our general terms of use for downloads are valid.

Analog extension module with 4 analog current inputs 4 mA ... 20 mA



Commercial data

Item number	2867115
Packing unit	1 pc
Note	Made to order (non-returnable)
Sales key	DN26
Product key	DNC654
GTIN	4017918929626
Weight per piece (including packing)	172.9 g
Weight per piece (excluding packing)	172.9 g
Customs tariff number	85177090
Country of origin	CA

RAD-IN-4A-I - Extension module



2867115

<https://www.phoenixcontact.com/us/products/2867115>

Technical data

Product properties

Product type	Extension module
--------------	------------------

Electrical properties

Maximum power dissipation for nominal condition	3.12 W
---	--------

Brake to be connected

Connection method	Screw connection
-------------------	------------------

Supply

Supply voltage range	9 V DC ... 30 V DC (via bus foot)
Typical current consumption	100 mA
Max. current consumption	130 mA

Input data

Analog

Description of the input	Current input
Number of inputs	4
Current input signal	4 mA ... 20 mA
Input resistance current input	< 170 Ω

Output data

Analog

Resolution	16 bit
------------	--------

Connection data

Connection method	Screw connection
Stripping length	8 mm
Conductor cross-section flexible	0.2 mm ² ... 2.5 mm ²
Conductor cross-section rigid	0.2 mm ² ... 4 mm ²
Cross section AWG	24 ... 14
Screw thread	M3

Dimensions

Width	22.5 mm
Height	99 mm
Depth	114.5 mm

Material specifications

Color (Housing)	green (RAL 6021)
Material (Housing)	Polyamide

RAD-IN-4A-I - Extension module



2867115

<https://www.phoenixcontact.com/us/products/2867115>

Environmental and real-life conditions

Ambient conditions

Degree of protection	IP20
Ambient temperature (operation)	-20 °C ... 65 °C
	-4 °F ... 149 °F
Ambient temperature (storage/transport)	-40 °C ... 85 °C

Approvals

CE

Certificate	CE-compliant
-------------	--------------

UL, USA/Canada

Identification	Class I, Div. 2, Groups A, B, C, D
----------------	------------------------------------

Mounting

Assembly note	on standard DIN rail NS 35 in accordance with EN 60715
Mounting position	any

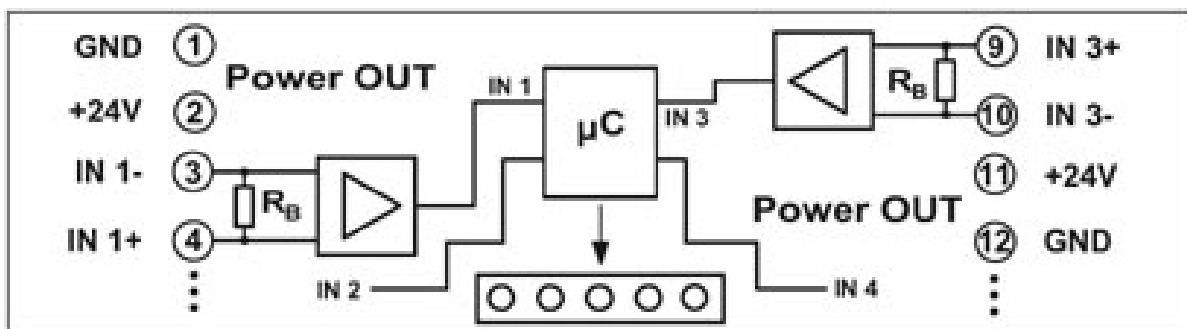
RAD-IN-4A-I - Extension module

2867115

<https://www.phoenixcontact.com/us/products/2867115>

Drawings

Block diagram



RAD-IN-4A-I - Extension module



2867115

<https://www.phoenixcontact.com/us/products/2867115>

Environmental product compliance

China RoHS

Environment friendly use period (EFUP)	EFUP-E
	No hazardous substances above the limits

EU REACH SVHC

REACH candidate substance (CAS No.)	No substance above 0.1 wt%
-------------------------------------	----------------------------

Phoenix Contact 2026 © - all rights reserved
<https://www.phoenixcontact.com>

Phoenix Contact USA
586 Fulling Mill Road
Middletown, PA 17057, United States
(+717) 944-1300
info@phoenixcon.com