

RAD-ISM-900-SET-UD-ANT - Wireless module



2867102

<https://www.phoenixcontact.com/us/products/2867102>

Please be informed that the data shown in this PDF document is generated from our online catalog. Please find the complete data in the user documentation. Our general terms of use for downloads are valid.

Unidirectional, wireless, 900 MHz transmission system (America), made up of a transmitter (Tx) and a receiver (Rx) and two antennas with connecting cable



Your advantages

- Frequency hopping spread spectrum
- Conducted transmitters can either be supplied with 24 V DC or 120/240 V AC
- The receiver for DIN rail mounting is supplied with 24 V DC
- Two omnidirectional antennas
- Operates in the license-free 902 MHz ... 928 MHz ISM band
- The transmitter can be installed on a DIN rail or outdoors (IP65)
- Two pre-programmed transceivers that automatically communicate with each other

Commercial data

Item number	2867102
Packing unit	1 pc
Note	Made to order (non-returnable)
Sales key	DN26
Product key	DNC651
GTIN	4017918929558
Weight per piece (including packing)	748 g
Weight per piece (excluding packing)	654.4 g
Customs tariff number	85176990
Country of origin	CA

Technical data

Product properties

Product type	Wireless module
--------------	-----------------

Electrical properties

Supply Receiver

Supply voltage	24 V DC (at U_B)
Supply voltage range	12 V DC ... 30 V DC
Typical current consumption	85 mA
Max. current consumption	125 mA

Supply Transmitter

Supply voltage	24 V DC
Supply voltage range	12 V DC ... 30 V DC
Typical current consumption	75 mA
Max. current consumption	350 mA

Input data

Digital

Input voltage range	5 V AC/DC ... 30 V AC/DC
Switching threshold "0" signal, voltage	max. 1.5 V DC
Switching threshold "1" signal voltage	min. 5 V DC

Analog

Description of the input	Current input (analog input)
Current input signal	4 mA ... 20 mA
Input resistance current input	< 150 Ω

Analog

Description of the input	Voltage input (digital input)
--------------------------	-------------------------------

Output data

Digital

Output name	2x relay output + 1 x RF link
Contact switching type	3 floating changeover contacts
Contact material	Ag, gold-plated
Maximum switching voltage	30 V DC 120 V AC
Limiting continuous current	0.5 A
Service life electrical	8x 10 ⁵ cycles at a switching current of 0.5 A
Mechanical service life	1x 10 ⁷

Analog

RAD-ISM-900-SET-UD-ANT - Wireless module



2867102

<https://www.phoenixcontact.com/us/products/2867102>

Output name	Current output
Current output signal	4 mA ... 20 mA
Load/output load current output	700 Ω (at $U_B = 24$ V, $R_B = [U_B - 10$ V] / 20 mA)

Connection data

Connection method	Screw connection
Stripping length	8 mm
Conductor cross-section flexible	0.2 mm ² ... 2.5 mm ²
Conductor cross-section rigid	0.2 mm ² ... 2.5 mm ²
Cross section AWG	24 ... 14
Screw thread	M3

Interfaces

Wireless

Direction	Uni-directional
Number of channel groups	4
Number of channels per group	63

Wireless

Direction	Uni-directional
Frequency range	902 MHz ... 928 MHz
Number of channel groups	4
Number of channels per group	63
Transmission power	1 W

Wireless

Frequency band	900 MHz
----------------	---------

Dimensions

Width	17.5 mm
Height	99 mm
Depth	114.5 mm

Material specifications

Color	green
-------	-------

Environmental and real-life conditions

Ambient conditions

Degree of protection	IP20
	IP20
	IP20
Ambient temperature (operation) (Set)	-40 °C ... 70 °C
Ambient temperature (operation)	-40 °F ... 158 °F
Ambient temperature (storage/transport)	-40 °C ... 85 °C

RAD-ISM-900-SET-UD-ANT - Wireless module



2867102

<https://www.phoenixcontact.com/us/products/2867102>

Approvals

Conformity/Approvals

Conformance	FCC Directive, Part 15.247
	ISC Directive RSS 210
UL, USA / Canada	Class I, Div. 2, Groups A, B, C, D

EMC data

Electromagnetic compatibility	FCC Part 15.247 / ISC RSS 210
-------------------------------	-------------------------------

Mounting

Assembly note	on standard DIN rail NS 35 in accordance with EN 60715
Mounting position	any

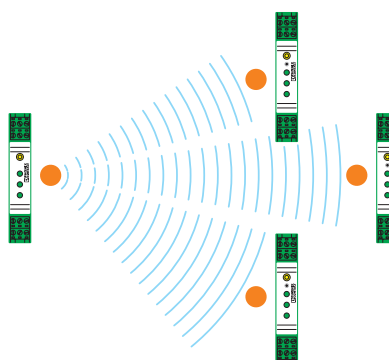
Drawings

Application drawing

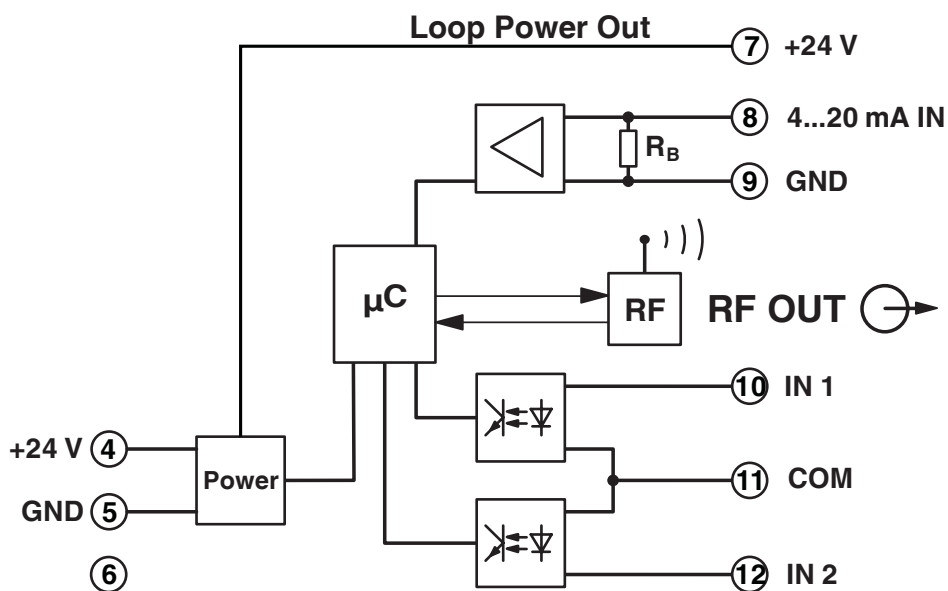
Point-to-point



Point-to-multipoint



Block diagram



Transmitter module

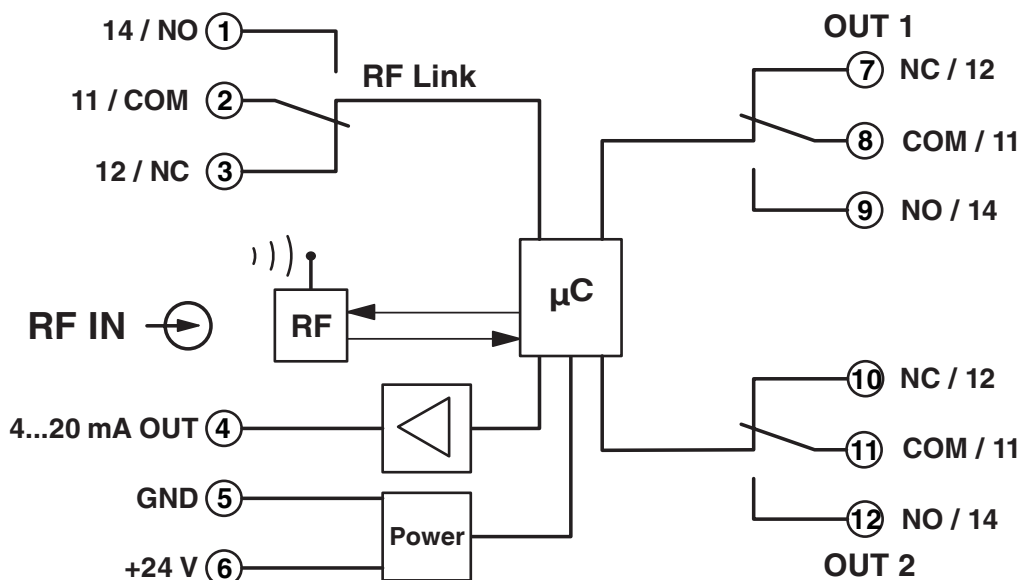
RAD-ISM-900-SET-UD-ANT - Wireless module



2867102

<https://www.phoenixcontact.com/us/products/2867102>

Block diagram



Receiver module

2867102

<https://www.phoenixcontact.com/us/products/2867102>

Environmental product compliance

China RoHS

Environment friendly use period (EFUP)	EFUP-50
	An article-related China RoHS declaration table can be found in the download area for the respective article under "Manufacturer declaration". For all articles with EFUP-E, no China RoHS declaration table issued and required.

EU REACH SVHC

REACH candidate substance (CAS No.)	No substance above 0.1 wt%
-------------------------------------	----------------------------

Phoenix Contact 2026 © - all rights reserved

<https://www.phoenixcontact.com>

Phoenix Contact USA
586 Fulling Mill Road
Middletown, PA 17057, United States
(+717) 944-1300
info@phoenixcon.com