

# RAD-ISM-900-TX - Wireless module



2867076

<https://www.phoenixcontact.com/us/products/2867076>

Please be informed that the data shown in this PDF document is generated from our online catalog. Please find the complete data in the user documentation. Our general terms of use for downloads are valid.



Transmitter as replacement device, for unidirectional, wireless 900 MHz transmission system (America)

## Commercial data

|                                      |                                |
|--------------------------------------|--------------------------------|
| Item number                          | 2867076                        |
| Packing unit                         | 1 pc                           |
| Note                                 | Made to order (non-returnable) |
| Sales key                            | DN26                           |
| Product key                          | DNC651                         |
| GTIN                                 | 4046356046770                  |
| Weight per piece (including packing) | 149 g                          |
| Weight per piece (excluding packing) | 149 g                          |
| Customs tariff number                | 85176990                       |
| Country of origin                    | CA                             |

# RAD-ISM-900-TX - Wireless module



2867076

<https://www.phoenixcontact.com/us/products/2867076>

## Technical data

### Product properties

|              |                 |
|--------------|-----------------|
| Product type | Wireless module |
|--------------|-----------------|

### Electrical properties

#### Supply Transmitter

|                             |                     |
|-----------------------------|---------------------|
| Supply voltage              | 24 V DC             |
| Supply voltage range        | 12 V DC ... 30 V DC |
| Typical current consumption | 75 mA               |
| Max. current consumption    | 350 mA              |

### Input data

#### Digital

|   |                          |
|---|--------------------------|
| Input voltage range                     | 5 V AC/DC ... 30 V AC/DC |
| Switching threshold "0" signal, voltage | max. 1.5 V DC            |
| Switching threshold "1" signal voltage  | min. 5 V DC              |

#### Analog

|                                |                              |
|--------------------------------|------------------------------|
| Description of the input       | Current input (analog input) |
| Current input signal           | 4 mA ... 20 mA               |
| Input resistance current input | < 150 Ω                      |

#### Analog

|                          |                               |
|--------------------------|-------------------------------|
| Description of the input | Voltage input (digital input) |
|--------------------------|-------------------------------|

### Connection data

|                                  |   |
|----------------------------------|---|
| Connection method                | Screw connection                            |
| Stripping length                 | 8 mm  |
| Conductor cross-section flexible | 0.2 mm <sup>2</sup> ... 2.5 mm <sup>2</sup> |
| Conductor cross-section rigid    | 0.2 mm <sup>2</sup> ... 2.5 mm <sup>2</sup> |
| Cross section AWG                | 24 ... 14                                   |
| Screw thread                     | M3  |

### Interfaces

#### Wireless

|                              |                     |
|------------------------------|---------------------|
| Direction                    | Uni-directional     |
| Frequency range              | 902 MHz ... 928 MHz |
| Number of channel groups     | 4                   |
| Number of channels per group | 63                  |
| Transmission power           | 1 W                 |

#### Wireless

|                |         |
|----------------|---------|
| Frequency band | 900 MHz |
|----------------|---------|

# RAD-ISM-900-TX - Wireless module



2867076

<https://www.phoenixcontact.com/us/products/2867076>

## Dimensions

|        |          |
|--------|----------|
| Width  | 17.5 mm  |
| Height | 99 mm    |
| Depth  | 114.5 mm |

## Material specifications

|                  |                             |
|------------------|-----------------------------|
| Color            | green                       |
| Housing material | Polyamide PA non-reinforced |

## Environmental and real-life conditions

### Ambient conditions

|   |                   |
|---|-------------------|
| Degree of protection                    | IP20              |
|   | IP20              |
| Ambient temperature (operation)         | -40 °C ... 70 °C  |
|   | -40 °F ... 158 °F |
| Ambient temperature (storage/transport) | -40 °C ... 85 °C  |

## Approvals

### Conformity/Approvals

|                  |                                    |
|------------------|------------------------------------|
| Conformance      | FCC Directive, Part 15.247         |
|                  | ISC Directive RSS 210              |
| UL, USA / Canada | Class I, Div. 2, Groups A, B, C, D |

## EMC data

|                               |                               |
|-------------------------------|-------------------------------|
| Electromagnetic compatibility | FCC Part 15.247 / ISC RSS 210 |
|-------------------------------|-------------------------------|

## Mounting

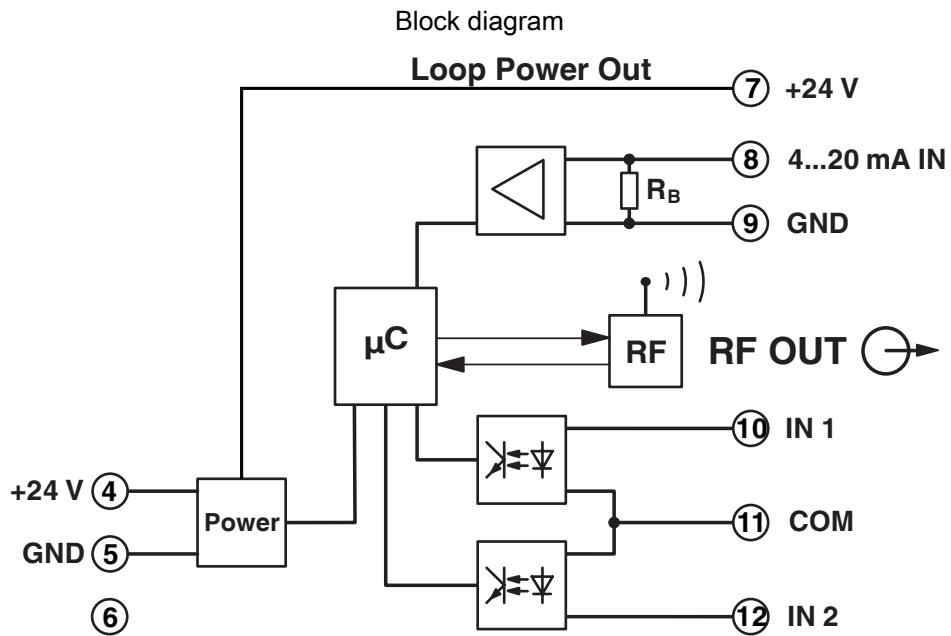
|                   |                             |
|-------------------|-----------------------------|
| Assembly note     | NS 35 in acc. with EN 60715 |
| Mounting position | any                         |

# RAD-ISM-900-TX - Wireless module

2867076

<https://www.phoenixcontact.com/us/products/2867076>

## Drawings



Transmitter module

# RAD-ISM-900-TX - Wireless module



2867076

<https://www.phoenixcontact.com/us/products/2867076>

## Environmental product compliance

### China RoHS

|  |   |
|--|---|
| Environment friendly use period (EFUP) | EFUP-50   |
|  | An article-related China RoHS declaration table can be found in the download area for the respective article under "Manufacturer declaration". For all articles with EFUP-E, no China RoHS declaration table issued and required. |

### EU REACH SVHC

|                                     |                            |
|-------------------------------------|----------------------------|
| REACH candidate substance (CAS No.) | No substance above 0.1 wt% |
|-------------------------------------|----------------------------|

Phoenix Contact 2026 © - all rights reserved  
<https://www.phoenixcontact.com>

Phoenix Contact USA  
586 Fulling Mill Road  
Middletown, PA 17057, United States  
(+717) 944-1300  
[info@phoenixcon.com](mailto:info@phoenixcon.com)