

RAD-ISM-900-RX - Wireless module

2867047

<https://www.phoenixcontact.com/us/products/2867047>

Please be informed that the data shown in this PDF document is generated from our online catalog. Please find the complete data in the user documentation. Our general terms of use for downloads are valid.



Receiver to expand point-to-multipoint connections, for unidirectional wireless 900 MHz transmission system (America)

Your advantages

- Two omnidirectional antennas
- Conducted transmitters can either be supplied with 24 V DC or 120/240 V AC
- The receiver for DIN rail mounting is supplied with 24 V DC
- Frequency hopping spread spectrum
- Operates in the license-free 902 MHz ... 928 MHz ISM band
- Two pre-programmed transceivers that automatically communicate with each other
- The transmitter can be installed on a DIN rail or outdoors (IP65)

Commercial data

Item number	2867047
Packing unit	1 pc
Note	Made to order (non-returnable)
Sales key	DN26
Product key	DNC651
GTIN	4017918929589
Weight per piece (including packing)	300.4 g
Weight per piece (excluding packing)	300.4 g
Customs tariff number	85176990
Country of origin	CA

2867047

<https://www.phoenixcontact.com/us/products/2867047>

Technical data

Product properties

Product type	Wireless module
--------------	-----------------

Electrical properties

Supply Receiver

Supply voltage	24 V DC (at U_B)
Supply voltage range	12 V DC ... 30 V DC
Typical current consumption	85 mA
Max. current consumption	125 mA

Output data

Digital

Output name	2x relay output + 1 x RF link
Contact switching type	3 floating changeover contacts
Contact material	Ag, gold-plated
Maximum switching voltage	30 V DC 120 V AC
Limiting continuous current	0.5 A
Service life electrical	8×10^5 cycles at a switching current of 0.5 A
Mechanical service life	1×10^7

Analog

Output name	Current output
Current output signal	4 mA ... 20 mA
Load/output load current output	700Ω (at $U_B = 24 \text{ V}$, $R_B = [U_B - 10 \text{ V}] / 20 \text{ mA}$)

Connection data

Connection method	Screw connection
Stripping length	8 mm
Conductor cross-section flexible	0.2 mm^2 ... 2.5 mm^2
Conductor cross-section rigid	0.2 mm^2 ... 2.5 mm^2
Cross section AWG	24 ... 14
Screw thread	M3

Interfaces

Wireless

Direction	Uni-directional
Number of channel groups	4
Number of channels per group	63

Wireless

RAD-ISM-900-RX - Wireless module



2867047

<https://www.phoenixcontact.com/us/products/2867047>

Frequency band	900 MHz
----------------	---------

Dimensions

Width	17.5 mm
Height	99 mm
Depth	114.5 mm

Material specifications

Color	green
Housing material	Polyamide PA non-reinforced

Environmental and real-life conditions

Ambient conditions

Degree of protection	IP20
	IP20
Ambient temperature (operation)	-40 °C ... 70 °C
	-40 °F ... 158 °F
Ambient temperature (storage/transport)	-40 °C ... 85 °C

Approvals

Conformity/Approvals

Conformance	FCC Directive, Part 15.247
	ISC Directive RSS 210
UL, USA / Canada	Class I, Div. 2, Groups A, B, C, D

EMC data

Electromagnetic compatibility	FCC Part 15.247 / ISC RSS 210
-------------------------------	-------------------------------

Mounting

Assembly note	on standard DIN rail NS 35 in accordance with EN 60715
Mounting position	any

RAD-ISM-900-RX - Wireless module

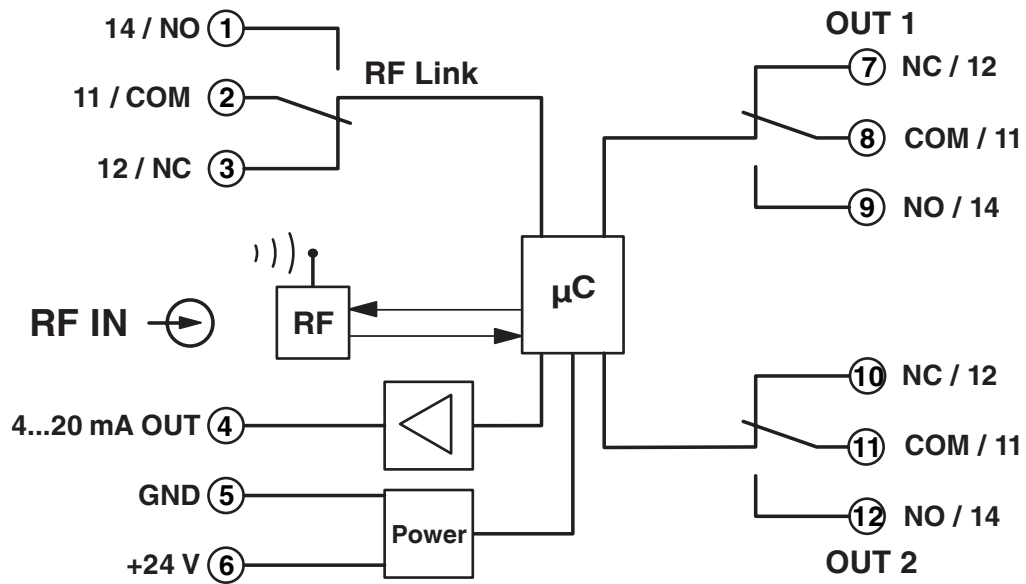


2867047

<https://www.phoenixcontact.com/us/products/2867047>

Drawings

Block diagram



Receiver module

Environmental product compliance

China RoHS

Environment friendly use period (EFUP)	EFUP-50
	An article-related China RoHS declaration table can be found in the download area for the respective article under "Manufacturer declaration". For all articles with EFUP-E, no China RoHS declaration table issued and required.

EU REACH SVHC

REACH candidate substance (CAS No.)	No substance above 0.1 wt%
-------------------------------------	----------------------------

Phoenix Contact 2026 © - all rights reserved
<https://www.phoenixcontact.com>

Phoenix Contact USA
586 Fulling Mill Road
Middletown, PA 17057, United States
(+717) 944-1300
info@phoenixcon.com