

# RAD-ISM-900-SET-AC-UD - Wireless module



2867021

<https://www.phoenixcontact.com/us/products/2867021>

Please be informed that the data shown in this PDF document is generated from our online catalog. Please find the complete data in the user documentation. Our general terms of use for downloads are valid.

Unidirectional, wireless, 900 MHz transmission system (America), consists of an outdoor transmitter (transmitter, Tx) with 100...240 V AC supply, a DIN-mountable receiver (receiver, Rx) with 12...30 V DC supply, and antennas



## Commercial data

Item number	2867021
Packing unit	1 pc
Note	Made to order (non-returnable)
Sales key	DN26
Product key	DNC651
GTIN	4017918929565
Weight per piece (including packing)	991.6 g
Weight per piece (excluding packing)	991.6 g
Customs tariff number	85176990
Country of origin	CA

2867021

<https://www.phoenixcontact.com/us/products/2867021>

## Technical data

### Product properties

Product type	Wireless module
--------------	-----------------

### Electrical properties

#### Supply Receiver

Supply voltage	24 V DC (at $U_B$ )
Supply voltage range	12 V DC ... 30 V DC
Typical current consumption	85 mA
Max. current consumption	125 mA

#### Supply Transmitter

Supply voltage	230 V AC
Supply voltage range	100 V AC ... 240 V AC
Typical current consumption	57 mA
Max. current consumption	109 mA

### Input data

#### Digital

Input voltage range	85 V AC ... 240 V AC
---------------------	----------------------

#### Analog

Description of the input	Current input (analog input)
Current input signal	4 mA ... 20 mA
Input resistance current input	< 170 $\Omega$

#### Analog

Description of the input	Voltage input (digital input)
--------------------------	-------------------------------

### Output data

#### Digital

Output name	2x relay output + 1 x RF link
Contact switching type	3 floating changeover contacts
Contact material	Ag, gold-plated
Maximum switching voltage	30 V DC 120 V AC
Limiting continuous current	0.5 A
Service life electrical	8x 10 <sup>5</sup> cycles at a switching current of 0.5 A
Mechanical service life	1x 10 <sup>7</sup>

#### Analog

Output name	Current output
Current output signal	4 mA ... 20 mA

# RAD-ISM-900-SET-AC-UD - Wireless module



2867021

<https://www.phoenixcontact.com/us/products/2867021>

Load/output load current output	700 $\Omega$ (at $U_B = 24$ V, $R_B = [U_B - 10$ V] / 20 mA)
---------------------------------	--

## Interfaces

### Wireless

Direction	Uni-directional
Number of channel groups	4
Number of channels per group	63

### Wireless

Direction	Uni-directional
Frequency range	902 MHz ... 928 MHz
Number of channel groups	4
Number of channels per group	63
Transmission power	1 W

### Wireless

Frequency band	900 MHz
----------------	---------

## Dimensions

Width	17.5 mm
Height	99 mm
Depth	114.5 mm

## Environmental and real-life conditions

### Ambient conditions

Degree of protection	IP65
	IP20
	IP20
Ambient temperature (operation) (Set)	-40 °C ... 70 °C
Ambient temperature (operation)	-40 °F ... 158 °F
Ambient temperature (storage/transport)	-40 °C ... 85 °C

## Approvals

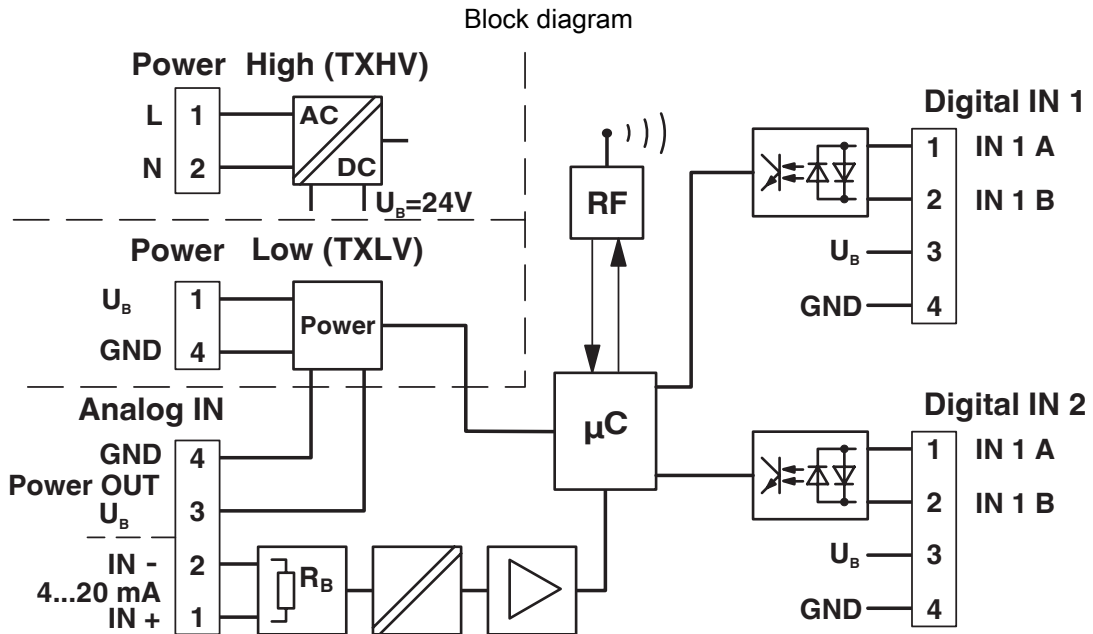
### Conformity/Approvals

Conformance	FCC Directive, Part 15.247
	ISC Directive RSS 210
UL, USA / Canada	Class I, Div. 2, Groups A, B, C, D

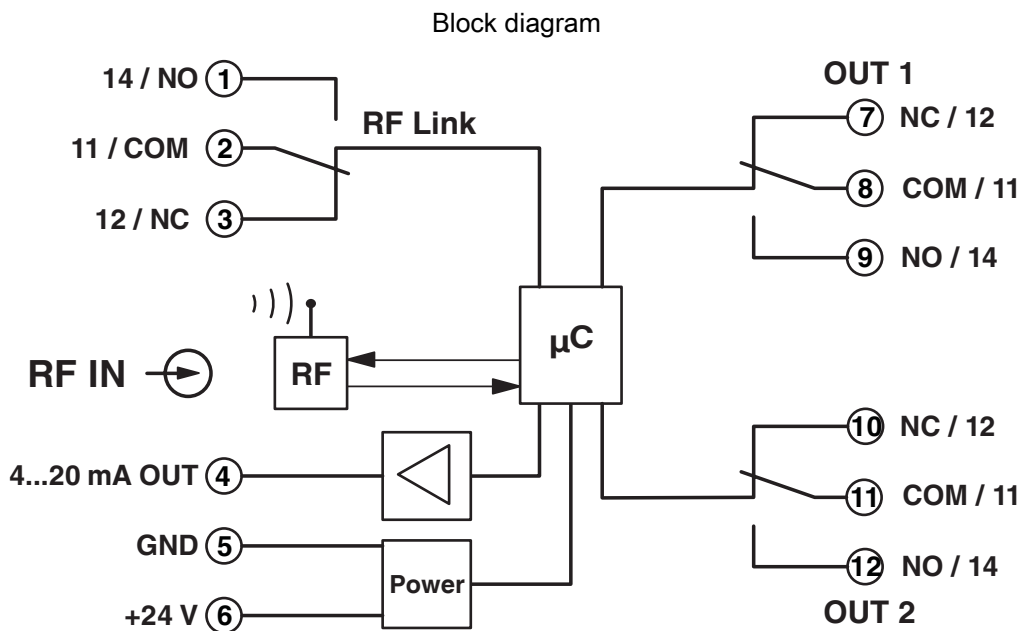
## EMC data

Electromagnetic compatibility	FCC Part 15.247 / ISC RSS 210
-------------------------------	-------------------------------

Drawings



Transmitter module



Receiver module

2867021

<https://www.phoenixcontact.com/us/products/2867021>

## Environmental product compliance

### China RoHS

Environment friendly use period (EFUP)	EFUP-50
	An article-related China RoHS declaration table can be found in the download area for the respective article under "Manufacturer declaration". For all articles with EFUP-E, no China RoHS declaration table issued and required.

### EU REACH SVHC

REACH candidate substance (CAS No.)	No substance above 0.1 wt%
-------------------------------------	----------------------------

Phoenix Contact 2026 © - all rights reserved

<https://www.phoenixcontact.com>

Phoenix Contact USA  
586 Fulling Mill Road  
Middletown, PA 17057, United States  
(+717) 944-1300  
[info@phoenixcon.com](mailto:info@phoenixcon.com)