

# EMD-SL-PTC - Monitoring relay



2866093

<https://www.phoenixcontact.com/us/products/2866093>

Please be informed that the data shown in this PDF document is generated from our online catalog. Please find the complete data in the user documentation. Our general terms of use for downloads are valid.



Monitoring relay for temperature monitoring of the motor winding (maximum 6 PTC) with error memory for temperature sensors in acc. with DIN 44081, test function with integrated test/reset button, supply voltage can be selected via power module, 2 changeover contacts

## Product description

Increasingly higher demands are being placed on safety and system availability - across all sectors. Processes are becoming more and more complex, not only in mechanical engineering and the chemical industry, but also in plant and automation technology. Demands on power engineering are also increasing constantly.

Error-free and therefore cost-effective operation can only be achieved through continuous monitoring of important network and system parameters. Electronic monitoring relays in the EMD series are available for a wide range of monitoring tasks to avoid the consequences of errors or to keep them within limits.

The operating states are indicated using colored LEDs, errors that may occur can be sent to a control system via a floating contact or can shut down a part of the system. Some device versions are equipped with startup and response delays in order to briefly tolerate measured values outside the set monitoring range.

## Your advantages

- Test function with integrated test/reset button
- Short-circuit and open-circuit monitoring
- Variable supply voltage range

## Commercial data

Item number	2866093
Packing unit	1 pc
Minimum order quantity	1 pc
Sales key	C440
Product key	DK6634
GTIN	4017918952716
Weight per piece (including packing)	145.1 g
Weight per piece (excluding packing)	142.7 g
Customs tariff number	85364900
Country of origin	AT

# EMD-SL-PTC - Monitoring relay



2866093

<https://www.phoenixcontact.com/us/products/2866093>

## Technical data

### Product properties

Product type	Temperature monitoring relay
Operating mode	100% operating factor
Mechanical service life	approx. $2 \times 10^7$ cycles

### Insulation characteristics

Insulation	Basic insulation
Overvoltage category	III
Pollution degree	2

### Electrical properties

Service life electrical	$2 \times 10^5$ cycles at ohmic load, 1000 VA
Rated insulation voltage	300 V
Rated surge voltage	4 kV

### Supply

Supply voltage range	24 V AC ... 230 V AC (see Power modules) 24 V DC (see Power modules)
Nominal power consumption	2 VA (1.5 W)

### Input data

Input name	Measuring input
Maximum input voltage	7.5 V DC (Connection terminal blocks: T1 and T2)
Frequency range	50 Hz ... 60 Hz
Maximum temperature coefficient	< 0.1 %/K
Response value	$\geq 3.6 \text{ k}\Omega$ (Relay drops out)
Function	Winding temperature monitoring
Basic accuracy	$\pm 10 \%$ (of scale end value)
Repeat accuracy	$\leq 2 \%$
Total cold resistance	< 1.5 k $\Omega$
Release value	$\leq 1.8 \text{ k}\Omega$ (Relay picks up)
Short-circuit detection	< 20 $\Omega$
Voltage influence	$\leq 1 \%$
Recovery time	500 ms

### Control

Connection name	Connection of an external reset button (floating controlled N/O contact)
Load capacity	Cannot carry load
Cable length	max. 10 m

### Output data

#### Switching

# EMD-SL-PTC - Monitoring relay



2866093

<https://www.phoenixcontact.com/us/products/2866093>

Contact switching type	2 floating changeover contacts
Maximum switching voltage	250 V AC (in acc. with IEC 60664-1)
Interrupting rating (ohmic load) max.	750 VA (3 A/250 V AC, module aligned, ≤ 5 mm spacing) 1250 VA (5 A/250 V AC, module not aligned, ≥ 5 mm spacing)
Output fuse	5 A (fast-blow)

## Connection data

Connection method	Screw connection
Stripping length	8 mm
Conductor cross-section rigid	0.5 mm <sup>2</sup> ... 2.5 mm <sup>2</sup>
Conductor cross-section flexible	0.25 mm <sup>2</sup> ... 2.5 mm <sup>2</sup>
Conductor cross-section AWG	20 ... 14

## Dimensions

Width	22.5 mm
Height	90 mm
Depth	113 mm

## Material specifications

Color	green (RAL 6021)
Housing insulation material	Polyamide PA, self-extinguishing

## Environmental and real-life conditions

### Ambient conditions

Degree of protection (Housing)	IP40 (Housing)
Degree of protection (Connection terminal blocks)	IP20 (Connection terminal blocks)
Ambient temperature (operation)	-25 °C ... 55 °C -25 °C ... 40 °C (corresponds to UL 508)
Ambient temperature (storage/transport)	-25 °C ... 70 °C
Climatic class	3K3 (in acc. with EN 60721)
Permissible humidity (operation)	15 % ... 85 %

## Approvals

### CE

Certificate	CE-compliant
-------------	--------------

### UL, USA/Canada

Identification	UL/C-UL Listed UL 508
----------------	-----------------------

## EMC data

Electromagnetic compatibility	Conformance with EMC directive
Low Voltage Directive	Conformance with Low Voltage Directive
Noise immunity	EN 61000-6-2

### Noise emission

# EMD-SL-PTC - Monitoring relay



2866093

<https://www.phoenixcontact.com/us/products/2866093>

Standards/regulations	EN 61000-6-3
-----------------------	--------------

## Standards and regulations

Standards/regulations	EN 50178
-----------------------	----------

## Mounting

Mounting type	DIN rail mounting
Assembly note	on standard DIN rail NS 35 in accordance with EN 60715
Mounting position	any

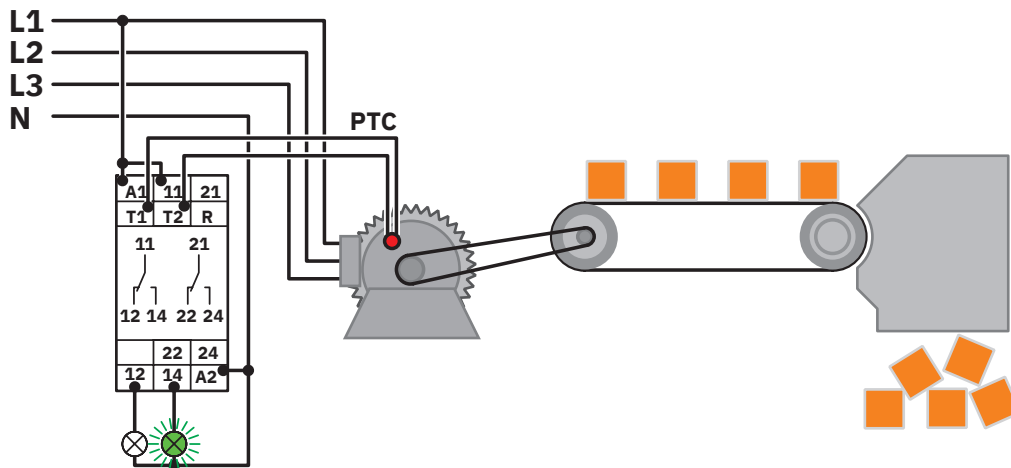
# EMD-SL-PTC - Monitoring relay

2866093

<https://www.phoenixcontact.com/us/products/2866093>

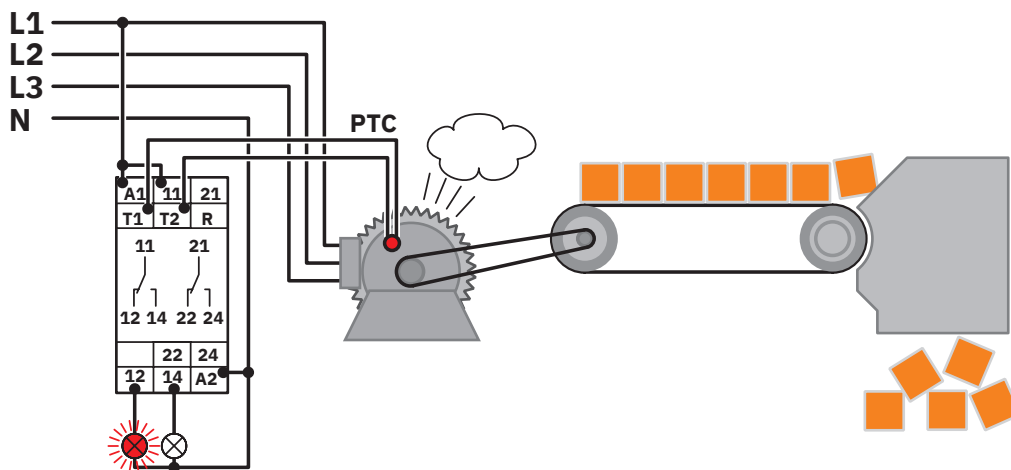
## Drawings

Application drawing



Monitoring of motor winding temperatures

Application drawing



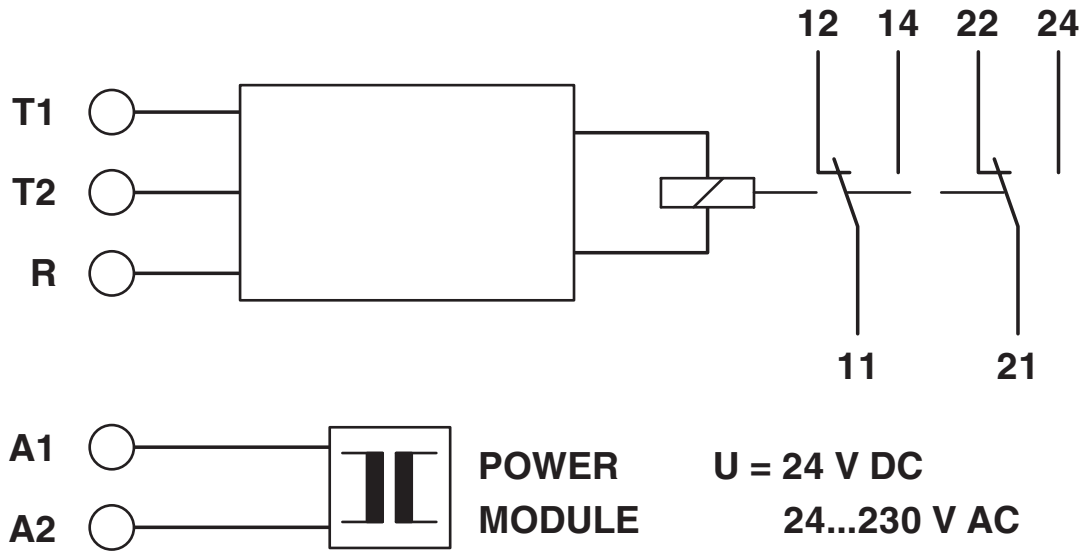
Shutdown and message in case of overload

# EMD-SL-PTC - Monitoring relay

2866093

<https://www.phoenixcontact.com/us/products/2866093>

Block diagram



# EMD-SL-PTC - Monitoring relay



2866093

<https://www.phoenixcontact.com/us/products/2866093>

## Classifications

### ECLASS

ECLASS-13.0	27371810
ECLASS-15.0	27371810

### ETIM

ETIM 10.0	EC001446
-----------	----------

### UNSPSC

UNSPSC 21.0	41112100
-------------	----------

# EMD-SL-PTC - Monitoring relay



2866093

<https://www.phoenixcontact.com/us/products/2866093>

## Environmental product compliance

### EU RoHS

Fulfills EU RoHS substance requirements	Yes, No exemptions
---	--------------------

### China RoHS

Environment friendly use period (EFUP)	EFUP-E
	No hazardous substances above the limits

### EU REACH SVHC

REACH candidate substance (CAS No.)	No substance above 0.1 wt%
-------------------------------------	----------------------------

### EF3.1 Climate Change

CO2e kg	4.226 kg CO2e
---------	---------------

Phoenix Contact 2026 © - all rights reserved  
<https://www.phoenixcontact.com>

Phoenix Contact USA  
586 Fulling Mill Road  
Middletown, PA 17057, United States  
(+717) 944-1300  
[info@phoenixcon.com](mailto:info@phoenixcon.com)