

MACX MCR-EX-SL-NAM-NAM - Isolation switch amplifier



2866006

<https://www.phoenixcontact.com/us/products/2866006>

Please be informed that the data shown in this PDF document is generated from our online catalog. Please find the complete data in the user documentation. Our general terms of use for downloads are valid.



Ex i-NAMUR isolation amplifier for operating Ex i proximity sensors and switches in the potentially explosive area. Passive transistor output (resistive according to EN 60947-5-6). number of channels: 1, Standard configuration, 3-way isolation, Line fault transparency, Safety Integrity Level (SIL, IEC 61508): 2, Systematic Capability: 3, Screw connection

Your advantages

- Signal input: intrinsically safe [Ex ia]; for NAMUR proximity sensors (EN 60947-5-6) or switch contacts
- Signal output with resistive behavior (transistor), according to EN 60947-5-6
- Signal output with line fault transparency, line fault indication directly via the signal output to SPS or PLS
- Up to 5 kHz switching frequency
- Direction of operation can be selected
- Line fault detection (LFD) can be enabled and disabled
- SIL 2 according to IEC/EN 61508
- 3-way electrical isolation
- Power supply and error indication possible via DIN rail connector
- Plug-in connection terminals, screw connection technology
- Installation in zone 2 permitted
- Housing width: 12.5 mm

Commercial data

Item number	2866006
Packing unit	1 pc
Minimum order quantity	1 pc
Sales key	C430
Product key	DK1213
GTIN	4046356667876
Weight per piece (including packing)	178.5 g
Weight per piece (excluding packing)	150 g
Customs tariff number	85365019
Country of origin	DE

MACX MCR-EX-SL-NAM-NAM - Isolation switch amplifier



2866006

<https://www.phoenixcontact.com/us/products/2866006>

Technical data

Product properties

Product type	Isolating switch amplifier
Product family	MACX Analog
No. of channels	1
Configuration	DIP switches

System properties

Functionality

Configuration	DIP switches
---------------	--------------

Electrical properties

Electrical isolation	3-way isolation
Electrical isolation between input and output	yes
Line monitoring	Line fault transparency

Electrical isolation

Test voltage	2.5 kV AC (50 Hz, 60 s)
Overvoltage category	II
Pollution degree	2

Electrical isolation Input/output IEC/EN 60079-11

Standards/regulations	IEC/EN 60079-11
Rated insulation voltage	375 V _{PP}

Electrical isolation Input/supply, DIN rail connector IEC/EN 60079-11

Standards/regulations	IEC/EN 60079-11
Rated insulation voltage	375 V _{PP}

Electrical isolation Input/output/supply, DIN rail connector IEC/EN 61010-1

Standards/regulations	IEC/EN 61010-1
Rated insulation voltage	300 V _{rms}
Insulation	Safe isolation

Supply

Nominal supply voltage range	12 V DC ... 24 V DC -20 % ... +25 %
Supply voltage range	9.6 V DC ... 30 V DC
Power dissipation	< 0.6 W
Power consumption	< 600 mW

Input data

Signal: NAMUR

Description of the input	intrinsically safe
Number of inputs	1

MACX MCR-EX-SL-NAM-NAM - Isolation switch amplifier



2866006

<https://www.phoenixcontact.com/us/products/2866006>

Available input sources	NAMUR proximity sensors (IEC/EN 60947-5-6)
	floating switch contacts
	Switch contacts with resistance circuit
Switching threshold "0" signal current	< 1.2 mA (blocking)
Switching threshold "1" signal, current	> 2.1 mA (conductive)
Switching hysteresis	< 0.2 mA
Line fault detection	< 0.05 mA ... 0.35 mA (Line break)
	< 100 Ω ... 360 Ω (Short circuit)
	Activated /deactivated via DIP switch
Open-circuit voltage	8 V DC ±10 %

Output data

Switching: Transistor

Output description	passive
Switching frequency	5 kHz

Signal

Number of outputs	1
-------------------	---

Connection data

Connection method	Screw connection
Stripping length	7 mm
Screw thread	M3
Conductor cross-section rigid	0.2 mm ² ... 2.5 mm ²
Conductor cross-section flexible	0.2 mm ² ... 2.5 mm ²
Conductor cross-section AWG	24 ... 14
Tightening torque	0.5 Nm ... 0.6 Nm

Test socket

Max. diameter	2.3 mm
---------------	--------

Ex data

Ex installation (EPL)	Gc
	Div. 2
Ex i circuits (EPL)	[Ga]
	[Da]
	[Ma]
	[Div. 1]

Safety data

Max. internal inductance L_i	negligible
Max. internal capacitance C_i	1.1 nF
Max. output voltage U_o	9.6 V
Max. output current I_o	10 mA
Max. output power P_o	25 mW

MACX MCR-EX-SL-NAM-NAM - Isolation switch amplifier



2866006

<https://www.phoenixcontact.com/us/products/2866006>

Safety-related maximum voltage U_m	253 V AC
	125 V DC
IIA (simple circuit): Max. external inductivity L_o / Max. external capacitance C_o	1000 mH / 210 μ F
IIB/IIIC (simple circuit): Max. external inductivity L_o / Max. external capacitance C_o	1000 mH / 26 μ F
IIC (simple circuit): Max. external inductivity L_o / Max. external capacitance C_o	300 mH / 3.6 μ F
IIB/IIA/IIIC (mixed circuit): Max. external inductivity L_o / Max. external capacitance C_o	100 mH / 1 μ F
IIC (mixed circuit): Max. external inductivity L_o / Max. external capacitance C_o	100 mH / 510 nF, 50 mH / 580 nF, 5 mH / 600 nF

Interfaces

Data

No. of channels	0
-----------------	---

Signaling

Status display	Green LED (supply voltage)
	LED yellow (switching state)
	Red LED (line errors)

Dimensions

Dimensional drawing	
Width	12.5 mm
Height	112.5 mm
Depth	113.7 mm
Depth NS 35/7,5	114.5 mm (Snapped onto DIN rail NS 35/7,5 in accordance with EN 60715)

Material specifications

Color	gray (RAL 7042)
Flammability rating according to UL 94 (Housing)	V0 (Housing)
Housing material	PA 6.6-FR

Characteristics

Safety data

Safety Integrity Level (SIL)	2
------------------------------	---

Safety data

MACX MCR-EX-SL-NAM-NAM - Isolation switch amplifier



2866006

<https://www.phoenixcontact.com/us/products/2866006>

Safety Integrity Level (SIL)	2
------------------------------	---

Environmental and real-life conditions

Ambient conditions

Degree of protection	IP20 (not assessed by UL)
Ambient temperature (operation)	-40 °C ... 60 °C (Any mounting position)
	-40 °C ... 70 °C (Derating)
Ambient temperature (storage/transport)	-40 °C ... 80 °C
Permissible humidity (operation)	10 % ... 95 % (non-condensing)

Altitude range (≤ 2000 m)

Altitude	≤ 2000 m (The technical data refers to altitudes ≤2000 m above mean sea level. For altitudes >2000 m above mean sea level, refer to the data sheet.)
Ambient temperature (operation)	-40 °C ... 60 °C
	-40 °C ... 70 °C (Derating)
Rated insulation voltage	265 V AC/DC ($U_{\text{Isolation "ec"}}$: Supply, input / output)

Altitude range (≤ 3000 m)

Height range	> 2000 m ... 3000 m
Ambient temperature (operation)	-40 °C ... 54 °C
	-40 °C ... 63 °C (Derating)
Safety-related maximum voltage U_m	190 V AC
	110 V DC
Rated insulation voltage	190 V AC/DC ($U_{\text{Isolation "ec"}}$: Supply, input / output)

Altitude range (≤ 4000 m)

Height range	> 3000 m ... 4000 m
Ambient temperature (operation)	-40 °C ... 48 °C
	-40 °C ... 56 °C (Derating)
Safety-related maximum voltage U_m	60 V
Rated insulation voltage	60 V AC/DC ($U_{\text{Isolation "ec"}}$: Supply, input / output)

Altitude range (≤ 5000 m)

Height range	> 4000 m ... 5000 m
Ambient temperature (operation)	-40 °C ... 42 °C
	-40 °C ... 49 °C (Derating)
Safety-related maximum voltage U_m	60 V
Rated insulation voltage	60 V AC/DC ($U_{\text{Isolation "ec"}}$: Supply, input / output)

Approvals

CE

Certificate	CE-compliant
Note	and EN 61326

ATEX

MACX MCR-EX-SL-NAM-NAM - Isolation switch amplifier



2866006

<https://www.phoenixcontact.com/us/products/2866006>

Identification	⊕ II (1) G [Ex ia Ga] IIC
	⊕ II (1) D [Ex ia Da] IIIC
	⊕ II 3(1) G Ex ec [ia Ga] IIC T4 Gc
	⊕ I (M1) [Ex ia Ma] I
Certificate	IBExU 08 ATEX 1100 X

IECEX

Identification	[Ex ia Ga] IIC
	[Ex ia Da] IIIC
	Ex ec [ia Ga] IIC T4 Gc
	[Ex ia Ma] I
Certificate	IECEX IBE 08.0005X

CCC / China-Ex

Identification	[Ex ia Ga] IIC
	[Ex ia Da] IIIC
	Ex ec [ia Ga] IIC T4 Gc
Certificate	2022122316115978

UL, USA/Canada

Identification	UL 61010 Listed
Certificate	Ⓢ.Ⓢ. C.D.-No 83104549

Shipbuilding approval

Certificate	DNV GL TAA000020C
-------------	-------------------

Safety Integrity Level (SIL, IEC 61508)

Identification	2
Certificate	IN-AT-AS-MRL-25-00008

Systematic Capability

Identification	3
----------------	---

INMETRO

Identification	[Ex ia Ga] IIC
	[Ex ia Da] IIIC
	Ex ec [ia Ga] IIC T4 Gc
	[Ex ia Ma] I
Certificate	DNV 18.0141 X

Shipbuilding data

Temperature	B
Humidity	B
Vibration	A
EMC	A
Enclosure	Required protection according to the Rules shall be provided upon installation on board

MACX MCR-EX-SL-NAM-NAM - Isolation switch amplifier



2866006

<https://www.phoenixcontact.com/us/products/2866006>

EMC data

Electromagnetic compatibility	Conformance with EMC directive
Noise immunity	EN 61000-6-2

Noise emission

Standards/regulations	EN 61000-6-4
-----------------------	--------------

Standards and regulations

Electrical isolation	3-way isolation
----------------------	-----------------

GB Standard

Standards/regulations	GB/T 3836.1
	GB/T 3836.3
	GB/T 3836.4

Mounting

Mounting type	DIN rail mounting
---------------	-------------------

MACX MCR-EX-SL-NAM-NAM - Isolation switch amplifier



2866006

<https://www.phoenixcontact.com/us/products/2866006>

Drawings

Dimensional drawing



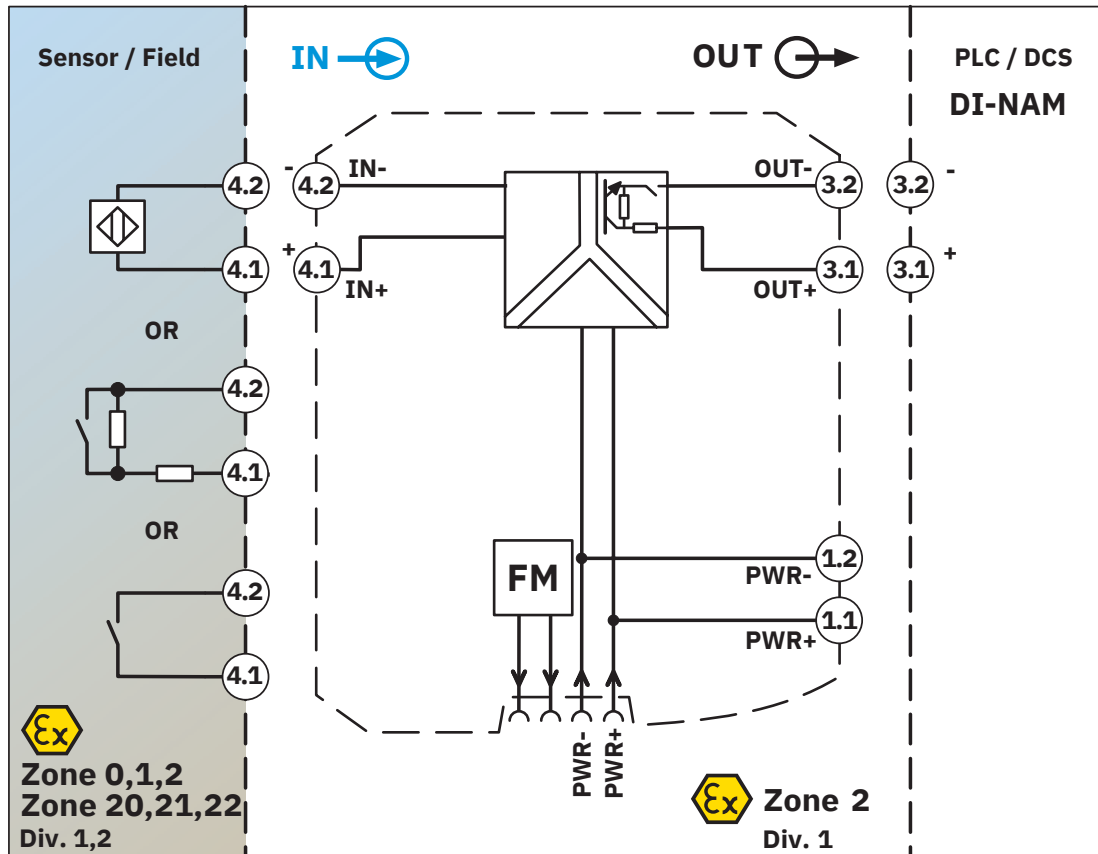
MACX MCR-EX-SL-NAM-NAM - Isolation switch amplifier



2866006

<https://www.phoenixcontact.com/us/products/2866006>

Block diagram



MACX MCR-EX-SL-NAM-NAM - Isolation switch amplifier



2866006

<https://www.phoenixcontact.com/us/products/2866006>

Approvals

To download certificates, visit the product detail page: <https://www.phoenixcontact.com/us/products/2866006>


 **UL Listed**
Approval ID: E330267

Functional Safety
Approval ID: 12/06-054 R016 V2R0

DNV
Approval ID: TAA000020C


TUEV Austria FS
Approval ID: IN-AT-AS-MRL-25-0008

ECAS
Approval ID: 163682 E25 08 169507


 **IECEX**
Approval ID: IECEX IBE 08.0005X

 **cUL Listed**
Approval ID: E199827

 **UL Listed**
Approval ID: E199827

 **ATEX**
Approval ID: IBExU 08 ATEX 1100

INMETRO
Approval ID: DNV 18.0141 X

 **ATEX**
Approval ID: IBExU 12 ATEX 1169

MACX MCR-EX-SL-NAM-NAM - Isolation switch amplifier



2866006

<https://www.phoenixcontact.com/us/products/2866006>



CCC

Approval ID: 2022122316115978

MACX MCR-EX-SL-NAM-NAM - Isolation switch amplifier



2866006

<https://www.phoenixcontact.com/us/products/2866006>

Classifications

ECLASS

ECLASS-13.0	27210121
ECLASS-15.0	27210121

ETIM

ETIM 10.0	EC001485
-----------	----------

UNSPSC

UNSPSC 21.0	39121000
-------------	----------

MACX MCR-EX-SL-NAM-NAM - Isolation switch amplifier



2866006

<https://www.phoenixcontact.com/us/products/2866006>

Environmental product compliance

EU RoHS

Fulfills EU RoHS substance requirements	Yes
Exemption	7(a), 7(c)-I

China RoHS

Environment friendly use period (EFUP)	EFUP-50
	An article-related China RoHS declaration table can be found in the download area for the respective article under "Manufacturer declaration". For all articles with EFUP-E, no China RoHS declaration table issued and required.

EU REACH SVHC

REACH candidate substance (CAS No.)	Lead(CAS: 7439-92-1)
	6,6'-di-tert-butyl-2,2'-methylenedi-p-cresol(CAS: 119-47-1)
	2,2',6,6'-tetrabromo-4,4'-isopropylidenediphenol(CAS: 79-94-7)
SCIP	b88f1bb7-80e8-46ad-b2f0-9832b8a47e2e

Phoenix Contact 2026 © - all rights reserved
<https://www.phoenixcontact.com>

Phoenix Contact USA
586 Fulling Mill Road
Middletown, PA 17057, United States
(+717) 944-1300
info@phoenixcon.com