

PI-EX-SD-21-40 - Solenoid driver



2865913

<https://www.phoenixcontact.com/us/products/2865913>

Please be informed that the data shown in this PDF document is generated from our online catalog. Please find the complete data in the user documentation. Our general terms of use for downloads are valid.



Ex i solenoid driver, pluggable. To control intrinsically safe solenoid valves, alarm modules as well as simple electric equipment installed in Ex areas. For Group IIC gases, loop-powered. Electrical isolation.

Commercial data

Item number	2865913
Packing unit	1 pc
Minimum order quantity	1 pc
Product key	DK1XXX
GTIN	4046356324601
Weight per piece (including packing)	90 g
Weight per piece (excluding packing)	90 g
Country of origin	DE

PI-EX-SD-21-40 - Solenoid driver



2865913

<https://www.phoenixcontact.com/us/products/2865913>

Technical data

Product properties

Product type	Solenoid driver
No. of channels	1
Compatible valve	ASCO Coil 195
	Bürkert Coil AC 10 standard
	Bürkert Coil AC 10 high resistance
	Bürkert Coil AC 21 standard 700 mW / 65°C
	Bürkert Coil AC 21 high resistance 700 mW / 65°C
	Bürkert Coil AC 21 standard 900 mW / 45°C
	Bürkert Coil AC 21 high resistance 900 mW / 45°C
	Bürkert Coil AC 21 standard 900 mW / 60°C
	Bürkert Coil AC 21 high resistance 900 mW / 60°C
	Bürkert Coil G1 642735 standard 600 mW / 50°C
	Bürkert Coil G1 642735 high resistance 600 mW / 50°C
	Bürkert Coil G1 642735 standard 800 mW / 40°C
	Bürkert Coil G1 642735 high resistance 800 mW / 40°C
	Bürkert Coil G1 642735 standard 1000 mW / 40°C
	Bürkert Coil G1 642735 high resistance 1000 mW / 40°C
	Norgren Herion Coil 2050
	Norgren Herion Coil 2051
	Norgren Herion Coil 2052
	Norgren Herion Coil 2080 / 2082
	Norgren Herion Coil 2081 / 2083
	Norgren Herion Coil 2084
	Hörbiger Piezo P8 38x RF-Nx-SPN65 30 V type
	Hörbiger Piezo P20 381RF-NG-CPN61 30 V type
	Parker Coil VZ07 488650.01
	Parker Coil VZ33 494035.10
	Parker Coil VZ08 488660.01
	Parker Coil VZ09 488670.01
	Parker Coil VZ95 482160.01 EEx ia IIB T6
	Parker Coil VZ23 482870.01
	Samson Coil 3701-12 (12 V)
	Samson Coil 3701-13 (24 V)
	Samson Coil 3963-12 (12 V)
	Samson Coil 3963-13 (24 V)
	Samson Coil 3964-12 (12 V)
Samson Coil 3964-13 (24 V)	
Seitz Pilot valve PV 12F73 Ci oH	
Seitz Pilot valve PV 12F73 Xi oH	
Seitz Pilot valve PV 12F73 Xi oH-2	

2865913

<https://www.phoenixcontact.com/us/products/2865913>

Note	This is an extract of possible combinations of valves and solenoid drivers.
------	---

Insulation characteristics

Overvoltage category	II
Pollution degree	2

Electrical properties

Maximum temperature coefficient	0.01 %/K
---------------------------------	----------

Electrical isolation Input/output

Electrical isolation	375 V (Peak value in accordance with IEC/EN 60079-11)
Test voltage	2.5 kV AC (50 Hz, 60 s)

Supply

Max. current consumption	60 mA (at 24 V)
Power dissipation	< 1.2 W

Input data

Signal: Voltage

Number of inputs	1
Voltage input signal	20 V DC ... 30 V DC
Current input signal	15 mA ... 60 mA (55 mA for $U_e = 24$ V DC)

Output data

Signal: Voltage

Number of outputs	1
Output voltage	10 V (at 40 mA)
Output resistor	286 Ω (Internal resistance R_i)
Current limitation	40 mA
Response time	< 30 ms
Open-circuit voltage	21.4 V
Short-circuit-proof	yes

Ex data

Safety data

Max. output voltage U_o	25.1 V
Max. output current I_o	87 mA
Max. output power P_o	550 mW
Safety-related maximum voltage U_m	250 V AC (125 V DC)
IIA: Max. external inductivity L_o / Max. external capacitance C_o	20 mH / 0.6 μ F
IIB: Max. external inductivity L_o / Max. external capacitance C_o	18 mH / 0.38 μ F
IIC: Max. external inductivity L_o / Max. external capacitance C_o	0.5 mH / 0.082 μ F

Signaling

PI-EX-SD-21-40 - Solenoid driver

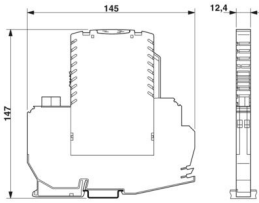


2865913

<https://www.phoenixcontact.com/us/products/2865913>

Status display	Yellow LED (status display)
	Red LED (line errors)

Dimensions

Dimensional drawing	
Width	12.4 mm
Height	79 mm
Depth	118.4 mm

Material specifications

Color	green (RAL 6021)
Flammability rating according to UL 94	V0
Housing material	PBT and polyamide PA non-reinforced

Environmental and real-life conditions

Ambient conditions

Degree of protection	IP20
Ambient temperature (operation)	-20 °C ... 55 °C
Ambient temperature (storage/transport)	-40 °C ... 80 °C
Permissible humidity (operation)	10 % ... 95 % (relative humidity, non-condensing)

Approvals

CE

Certificate	CE-compliant
Note	and EN 61326

ATEX

Identification	⊕ II (1) G [Ex ia Ga] IIC
	⊕ II (1) D [Ex ia Da] IIIC
	⊕ II 3 G Ex nA IIC T4 Gc
Certificate	PxCIF07ATEX2865298X

Safety Integrity Level (SIL, IEC 61508)

Identification	3
----------------	---

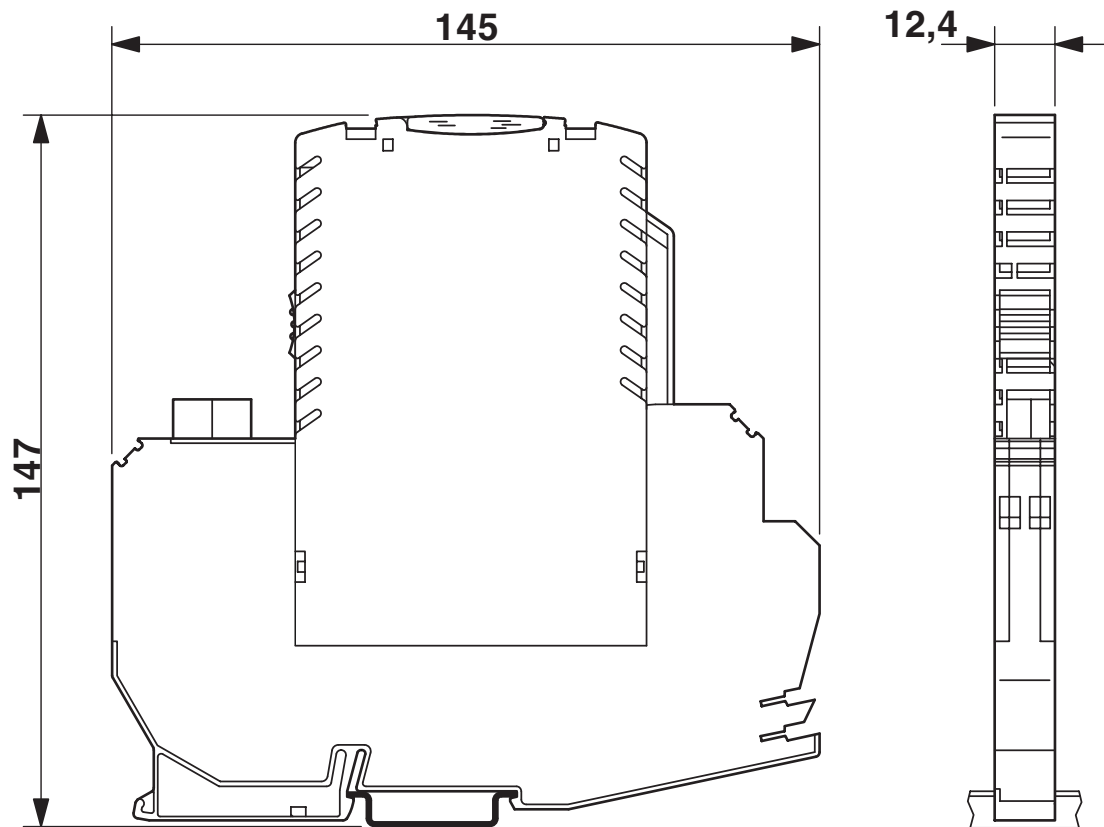
PI-EX-SD-21-40 - Solenoid driver

2865913

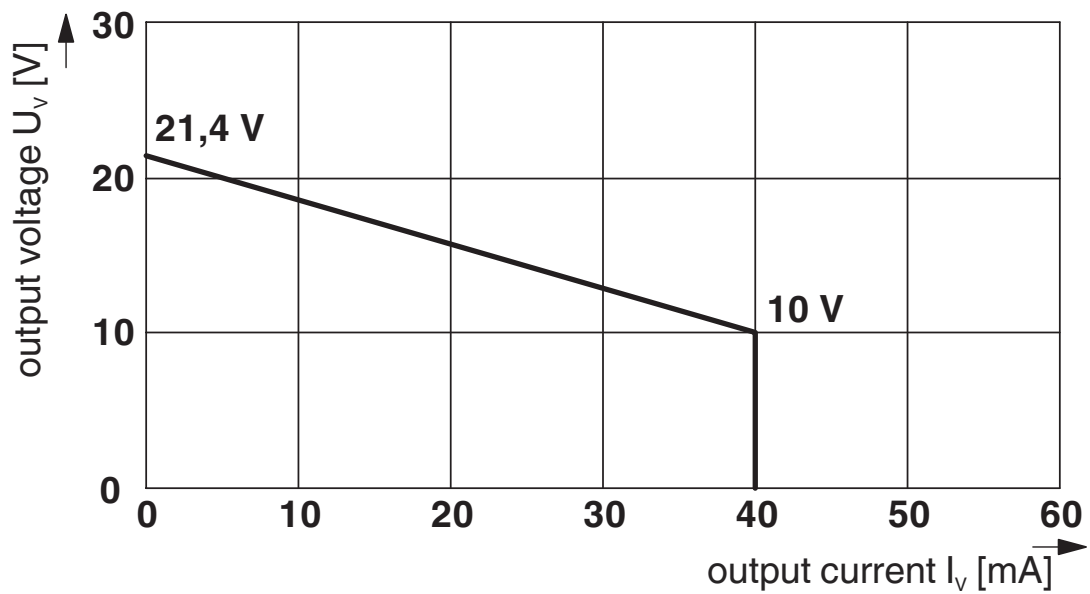
<https://www.phoenixcontact.com/us/products/2865913>

Drawings

Dimensional drawing



Diagram

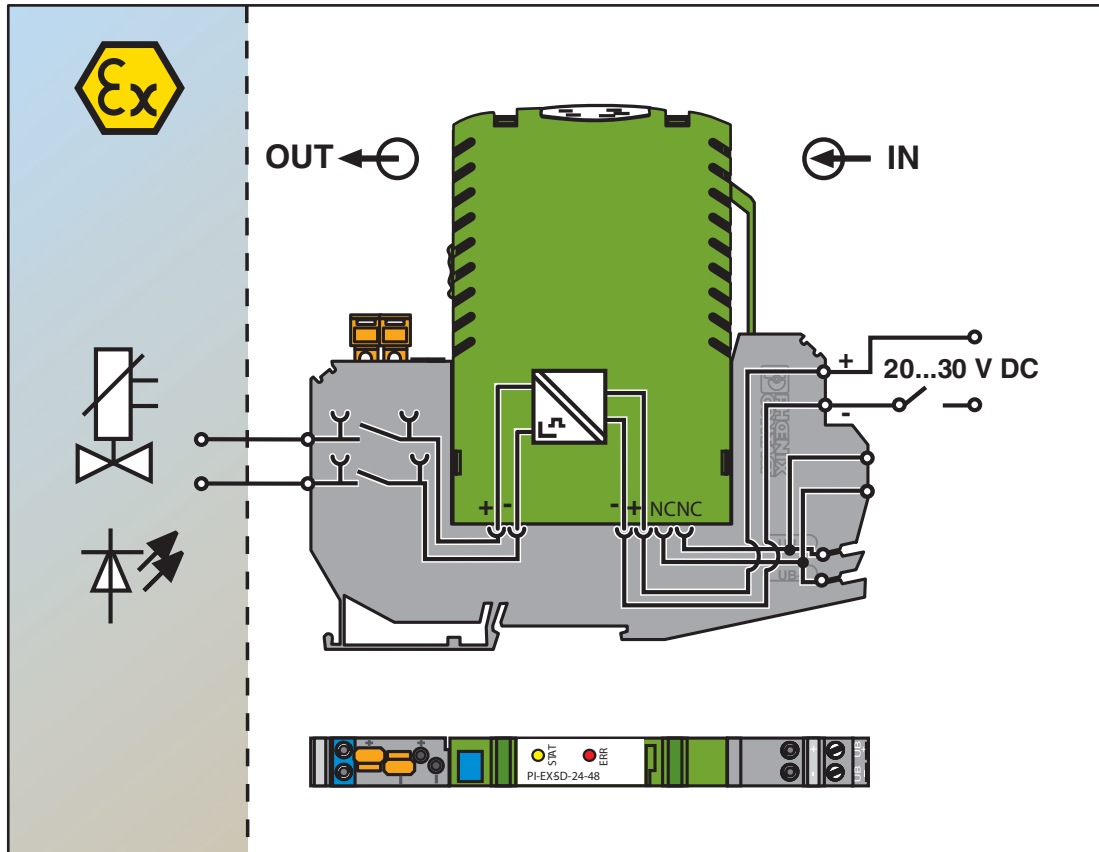


PI-EX-SD-21-40 - Solenoid driver

2865913

<https://www.phoenixcontact.com/us/products/2865913>

Block diagram



PI-EX-SD-21-40 - Solenoid driver



2865913

<https://www.phoenixcontact.com/us/products/2865913>

Classifications

UNSPSC

UNSPSC 21.0	39121000
-------------	----------

2865913

<https://www.phoenixcontact.com/us/products/2865913>

Environmental product compliance

EU RoHS

Fulfills EU RoHS substance requirements	Yes
Exemption	7(a), 7(c)-I

China RoHS

Environment friendly use period (EFUP)	EFUP-50
	An article-related China RoHS declaration table can be found in the download area for the respective article under "Manufacturer declaration". For all articles with EFUP-E, no China RoHS declaration table issued and required.

EU REACH SVHC

REACH candidate substance (CAS No.)	Lead(CAS: 7439-92-1)
SCIP	5da52a95-acbc-4f40-8f39-e51fbd6db460

Phoenix Contact 2026 © - all rights reserved

<https://www.phoenixcontact.com>

Phoenix Contact USA
586 Fulling Mill Road
Middletown, PA 17057, United States
(+717) 944-1300
info@phoenixcon.com