

# PI-EX-MB-S/16-01-2/D-SUB - Motherboard



2865214

<https://www.phoenixcontact.com/us/products/2865214>

Please be informed that the data shown in this PDF document is generated from our online catalog. Please find the complete data in the user documentation. Our general terms of use for downloads are valid.



Ex i motherboard for accommodating 16 x PI-Ex supply, input or output signal conditioner modules. With interface for connecting to HART multiplexer and D-SUB pin strip for connecting the analog signals to the control system level.

## Commercial data

Item number	2865214
Packing unit	1 pc
Sales key	C430
Product key	DK1XXX
GTIN	4046356148696
Weight per piece (including packing)	939.6 g
Weight per piece (excluding packing)	746.44 g
Customs tariff number	85389099
Country of origin	DE

2865214

<https://www.phoenixcontact.com/us/products/2865214>

## Technical data

### Product properties

Product type	Module carrier
Application	Base element

### Electrical properties

Nominal voltage $U_N$	20 V DC ... 35 V DC (See nominal voltage, PI modules)
Reverse polarity protection	yes

### Supply

Redundant supply	yes, decoupled from diodes
------------------	----------------------------

### Connection data

#### Controller level

Connection in acc. with standard	DIN 41652/IEC 60807-2
Connection method	D-SUB pin strip
Number of connections	1
Number of positions	37
Note	Max. perm. current = 1 A (30 V AC/DC)

#### Field level

Connection method	Screw connection
Stripping length	8 mm
Number of positions	32
Conductor cross-section rigid	0.2 mm <sup>2</sup> ... 4 mm <sup>2</sup>
Conductor cross-section flexible	0.2 mm <sup>2</sup> ... 2.5 mm <sup>2</sup>
Conductor cross-section AWG	24 ... 12
Tightening torque	0.5 Nm ... 0.6 Nm

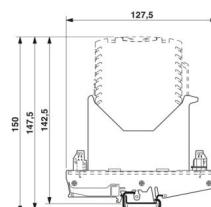
### Ex data

#### Safety data

Input voltage $U_i$	$\leq 30$ V
Max. output voltage $U_o$	$\leq 30$ V
Safety-related maximum voltage $U_m$	250 V

### Dimensions

#### Dimensional drawing



2865214

<https://www.phoenixcontact.com/us/products/2865214>

Width	247.7 mm
Height	127.5 mm
Depth	92 mm
Depth NS 35/7,5	142.5 mm (with NS 35/7.5 coupling connector)
Depth NS 32	147.5 mm (with NS 32 coupling connector)
Depth NS 35/15	150 mm (with NS 35/15 coupling connector)

## Material specifications

Color	green (RAL 6021)
Flammability rating according to UL 94	V2
Housing insulation material	Polyamide PA non-reinforced, polycarbonate PC, PVC

## Environmental and real-life conditions

### Ambient conditions

Degree of protection	IP20
Ambient temperature (operation)	-20 °C ... 60 °C
Ambient temperature (storage/transport)	-40 °C ... 75 °C

## Approvals

### CE

Certificate	CE-compliant
-------------	--------------

### ATEX

Identification	⊕ II (1) G [Ex ia Ga] IIC
	⊕ II (1) D [Ex ia Da] IIIC
	⊕ II 3 (1) G Ex nA [ia Ga] IIC T4 Gc
Certificate	KEMA 99ATEX7296
	PxCIF08ATEX2835325X

## Mounting

Mounting type	DIN rail mounting
---------------	-------------------

# PI-EX-MB-S/16-01-2/D-SUB - Motherboard

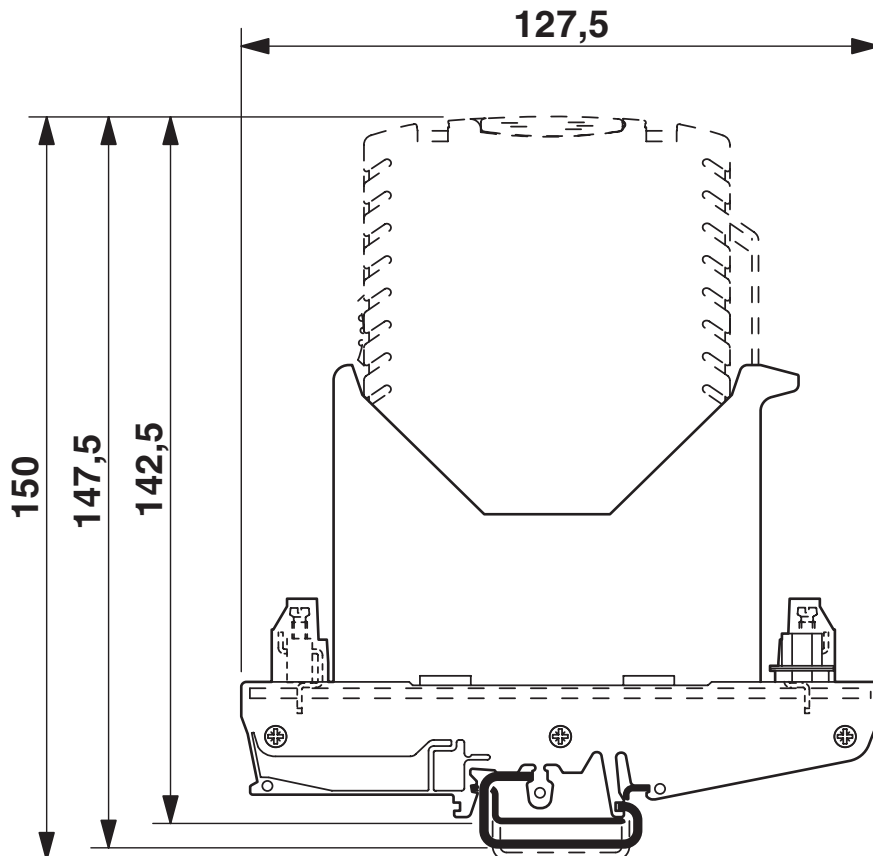


2865214

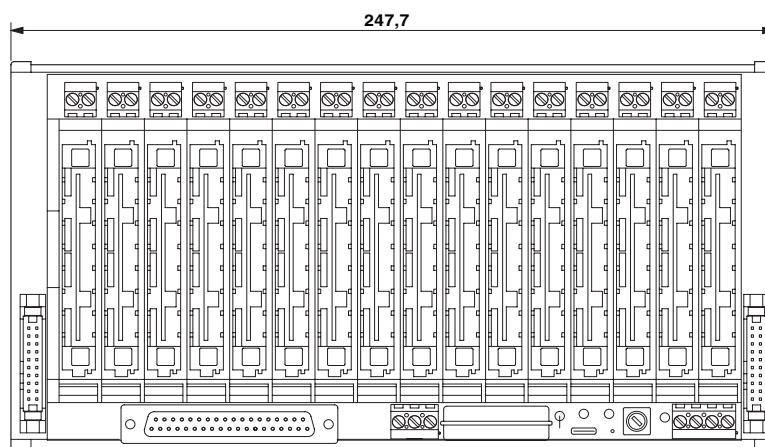
<https://www.phoenixcontact.com/us/products/2865214>

## Drawings

Dimensional drawing



Dimensional drawing



# PI-EX-MB-S/16-01-2/D-SUB - Motherboard



2865214

<https://www.phoenixcontact.com/us/products/2865214>

## Classifications

### UNSPSC

UNSPSC 21.0	39121400
-------------	----------

2865214

<https://www.phoenixcontact.com/us/products/2865214>

## Environmental product compliance

### EU RoHS

Fulfills EU RoHS substance requirements	Yes
Exemption	6(c), 7(a), 7(c)-I

### China RoHS

Environment friendly use period (EFUP)	EFUP-E
	No hazardous substances above the limits

### EU REACH SVHC

REACH candidate substance (CAS No.)	Hexahydromethylphthalic anhydride(CAS: n/a)
	Lead(CAS: 7439-92-1)
SCIP	21bc8793-080a-4bd7-9a79-ea7f303ffacb

Phoenix Contact 2026 © - all rights reserved  
<https://www.phoenixcontact.com>

Phoenix Contact USA  
586 Fulling Mill Road  
Middletown, PA 17057, United States  
(+717) 944-1300  
[info@phoenixcon.com](mailto:info@phoenixcon.com)