

PI-EX-SD-21-60 - Solenoid driver



2865188

<https://www.phoenixcontact.com/us/products/2865188>

Please be informed that the data shown in this PDF document is generated from our online catalog. Please find the complete data in the user documentation. Our general terms of use for downloads are valid.



Ex i solenoid driver, pluggable. To control intrinsically safe solenoid valves, alarm modules as well as simple electric equipment installed in Ex areas. For Group IIB gases, loop-powered. Electrical isolation.

Commercial data

Item number	2865188
Packing unit	1 pc
Sales key	C430
Product key	DK1XXX
GTIN	4046356134828
Weight per piece (including packing)	98.7 g
Weight per piece (excluding packing)	71.01 g
Customs tariff number	85437090
Country of origin	DE

Technical data

Product properties

Product type	Solenoid driver
Compatible valve	ASCO Coil 302 (12 V)
	ASCO Coil 302 (24 V)
	FESTO Coil MFH-...IA-SA-EX GBXE022AIAD03
	FESTO Coil (J)MFH-...BIA-SA-EX GBXE022AIAD03
	Norgren Herion Coil 2050
	Norgren Herion Coil 2051
	Norgren Herion Coil 2052
	Norgren Herion Coil 2053
	Parker Coil VZ95 482160.01 EEx ia IIB T6
Note	This is an extract of possible combinations of valves and solenoid drivers.

Electrical properties

Maximum temperature coefficient	0.01 %/K
Electrical isolation Input/output	
Electrical isolation	375 V (Peak value as per EN 50020 / EN 60079-11)
Test voltage	2.5 kV AC (50 Hz, 60 s)
Supply	
Max. current consumption	< 110 mA (at 24 V)
Power dissipation	max. 1.5 W (at 24 V)

Input data

Signal: Voltage

Number of inputs	1
Voltage input signal	20 V DC ... 30 V DC
Current input signal	15 mA DC ... 90 mA (85 mA for $U_e = 24$ V DC)

Output data

Signal: Voltage

Number of outputs	1
Output voltage	12.5 V (for 60 mA)
Output resistor	136 Ω (Internal resistance R_i)
Current limitation	58 mA
Response time	< 30 ms
Open-circuit voltage	21.4 V
Short-circuit-proof	yes

Ex data

PI-EX-SD-21-60 - Solenoid driver

2865188

<https://www.phoenixcontact.com/us/products/2865188>

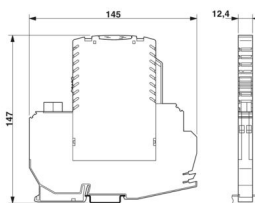
Safety data

Max. output voltage U_o	25.1 V
Max. output current I_o	188 mA
Max. output power P_o	1180 mW
Safety-related maximum voltage U_m	250 V AC (125 V DC)
IIA: Max. external inductivity L_o / Max. external capacitance C_o	5.2 mH / 0.51 μ F
IIB: Max. external inductivity L_o / Max. external capacitance C_o	2.7 mH / 0.28 μ F

Signaling

Status display	Yellow LED (status display)
	Red LED (line errors)

Dimensions

Dimensional drawing	
Width	12.4 mm
Height	79 mm
Depth	118.4 mm

Material specifications

Color	green (RAL 6021)
Flammability rating according to UL 94	V0
Housing material	PBT and polyamide PA non-reinforced

Environmental and real-life conditions

Ambient conditions

Degree of protection	IP20
Ambient temperature (operation)	-20 °C ... 55 °C
Ambient temperature (storage/transport)	-40 °C ... 85 °C
Permissible humidity (operation)	10 % ... 95 % (relative humidity, non-condensing)

Approvals

CE

Certificate	CE-compliant
-------------	--------------

ATEX

Identification	⊕ II (1) G [Ex ia Ga] IIC
	⊕ II (1) D [Ex ia Da] IIIC
	⊕ II 3 G Ex nA IIC T4 Gc

PI-EX-SD-21-60 - Solenoid driver



2865188

<https://www.phoenixcontact.com/us/products/2865188>

Certificate	PxCIF07ATEX2865298X
Safety Integrity Level (SIL, IEC 61508)	
Identification	3

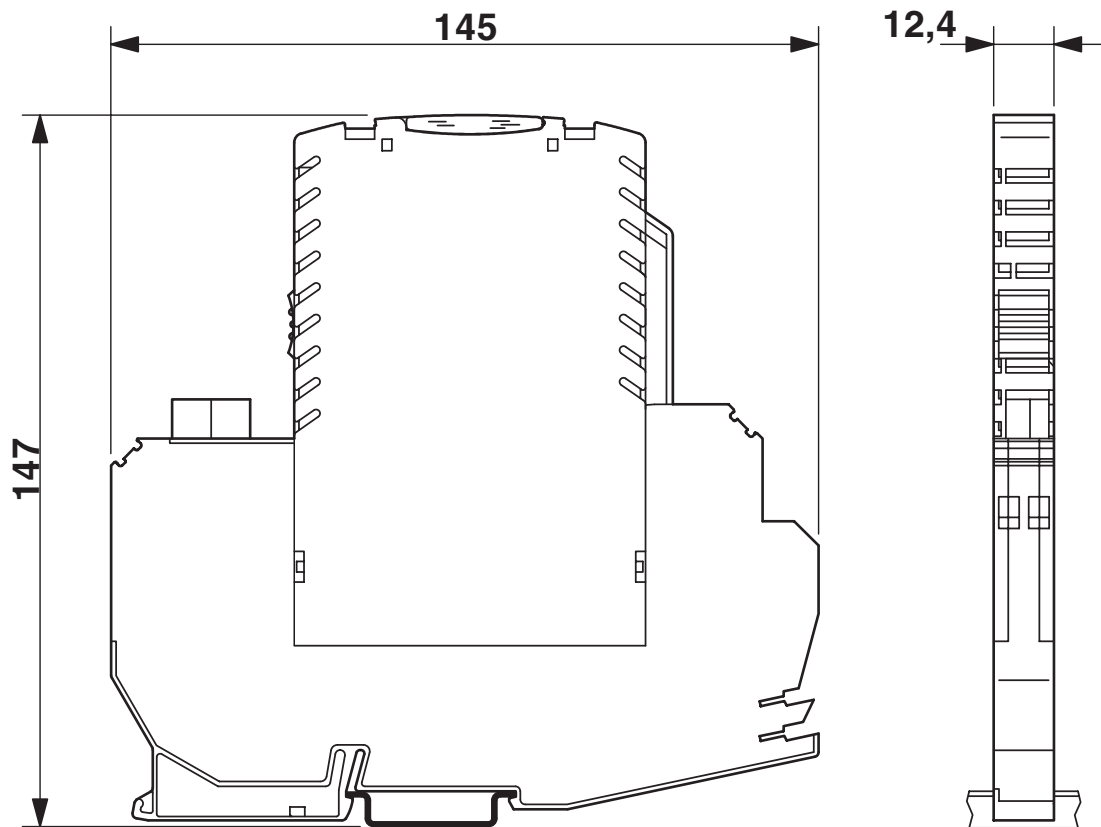
PI-EX-SD-21-60 - Solenoid driver

2865188

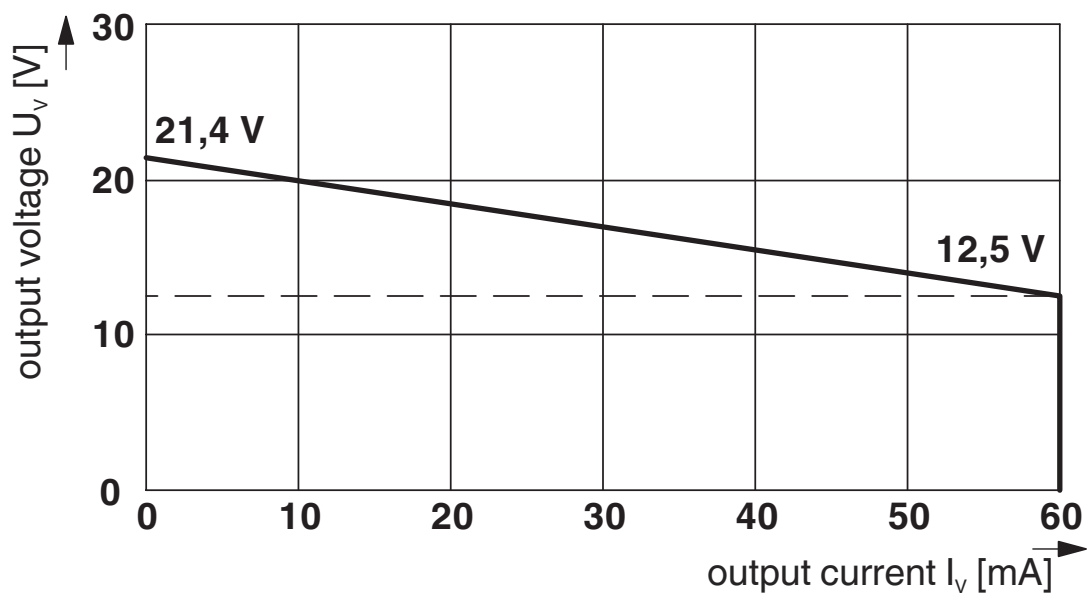
<https://www.phoenixcontact.com/us/products/2865188>

Drawings

Dimensional drawing



Diagram

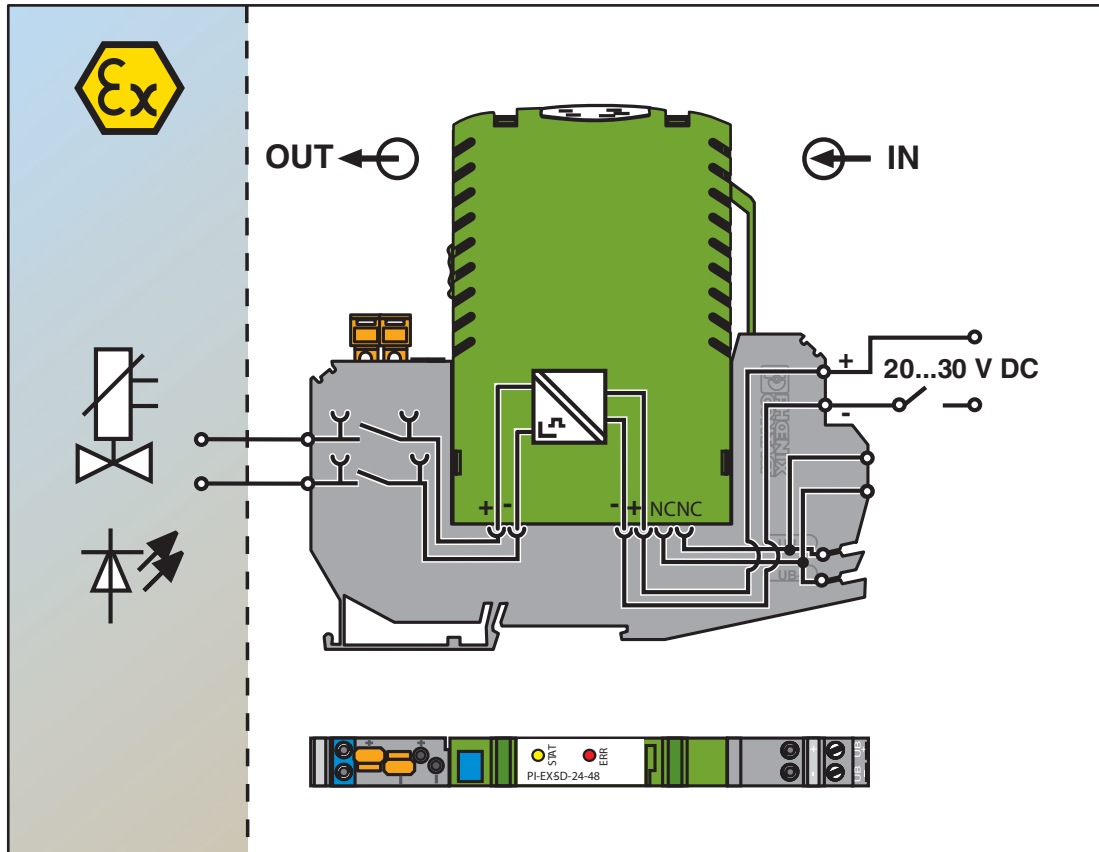


PI-EX-SD-21-60 - Solenoid driver

2865188

<https://www.phoenixcontact.com/us/products/2865188>

Block diagram



PI-EX-SD-21-60 - Solenoid driver



2865188

<https://www.phoenixcontact.com/us/products/2865188>

Classifications

UNSPSC

UNSPSC 21.0	39121000
-------------	----------

2865188

<https://www.phoenixcontact.com/us/products/2865188>

Environmental product compliance

EU RoHS

Fulfills EU RoHS substance requirements	Yes
Exemption	7(a), 7(c)-I

China RoHS

Environment friendly use period (EFUP)	EFUP-50
	An article-related China RoHS declaration table can be found in the download area for the respective article under "Manufacturer declaration". For all articles with EFUP-E, no China RoHS declaration table issued and required.

EU REACH SVHC

REACH candidate substance (CAS No.)	Lead(CAS: 7439-92-1)
SCIP	8742fac6-538f-4d55-a5df-e886f89fcfb7

Phoenix Contact 2026 © - all rights reserved

<https://www.phoenixcontact.com>

Phoenix Contact USA
586 Fulling Mill Road
Middletown, PA 17057, United States
(+717) 944-1300
info@phoenixcon.com