

UM122-2FLK14/EX-MB/4/OUT/S7 - Basic terminal block



2865159

<https://www.phoenixcontact.com/us/products/2865159>

Please be informed that the data shown in this PDF document is generated from our online catalog. Please find the complete data in the user documentation. Our general terms of use for downloads are valid.



Ex i motherboard to accept 4 x PI-Ex i output signal conditioners (PI-EX-...), FLK pin strips for connection to Siemens S7-300 analog out cards using system cables, assembly on NS 32, or NS 35/7.5.

Commercial data

Item number	2865159
Packing unit	1 pc
Sales key	C430
Product key	DK1XXX
GTIN	4046356046589
Weight per piece (including packing)	254.3 g
Weight per piece (excluding packing)	178.7 g
Customs tariff number	85389091
Country of origin	DE

UM122-2FLK14/EX-MB/4/OUT/S7 - Basic terminal block



2865159

<https://www.phoenixcontact.com/us/products/2865159>

Technical data

Product properties

Product type	Module carrier
Application	Base element

Electrical properties

Nominal voltage U_N	20 V DC ... 35 V DC
Nominal current I_N	60 mA (max. current consumption)
Reverse polarity protection	yes

Supply

Redundant supply	yes, decoupled from diodes
------------------	----------------------------

Connection data

Controller level

Connection method	FLK pin strip
Number of connections	1
Number of positions	14

Field level

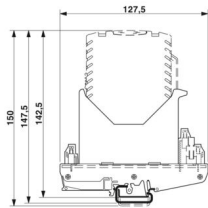
Connection method	Screw connection
Stripping length	8 mm
Number of positions	8
Conductor cross-section rigid	0.2 mm ² ... 4 mm ²
Conductor cross-section flexible	0.2 mm ² ... 2.5 mm ²
Conductor cross-section AWG	24 ... 12
Tightening torque	0.5 Nm ... 0.6 Nm

Ex data

Safety data

Max. output voltage U_o	≤ 30 V
Safety-related maximum voltage U_m	250 V

Dimensions

Dimensional drawing	
Width	58.6 mm
Height	127.5 mm

UM122-2FLK14/EX-MB/4/OUT/S7 - Basic terminal block



2865159

<https://www.phoenixcontact.com/us/products/2865159>

Depth	92 mm
Depth NS 35/7,5	142.5 mm (with NS 35/7.5 coupling connector)
Depth NS 32	147.5 mm (with NS 32 coupling connector)
Depth NS 35/15	150 mm (with NS 35/15 coupling connector)

Material specifications

Color	green (RAL 6021)
Flammability rating according to UL 94	V2
Housing insulation material	Polyamide PA non-reinforced, polycarbonate PC, PVC

Environmental and real-life conditions

Ambient conditions

Ambient temperature (operation)	-20 °C ... 60 °C
Ambient temperature (storage/transport)	-40 °C ... 75 °C

Approvals

CE

Certificate	CE-compliant
-------------	--------------

ATEX

Identification	⊕ II (1) G [Ex ia Ga] IIC
	⊕ II (1) D [Ex ia Da] IIIC
	⊕ II 3 (1) G Ex nA [ia Ga] IIC T4 Gc
Certificate	KEMA 99ATEX7296
	PxCIF08ATEX2835325X

EAC Ex

Identification	⊕ [Ex ia Ga] IIC
Certificate	RU C-DE.AB72.B.00097/19

Mounting

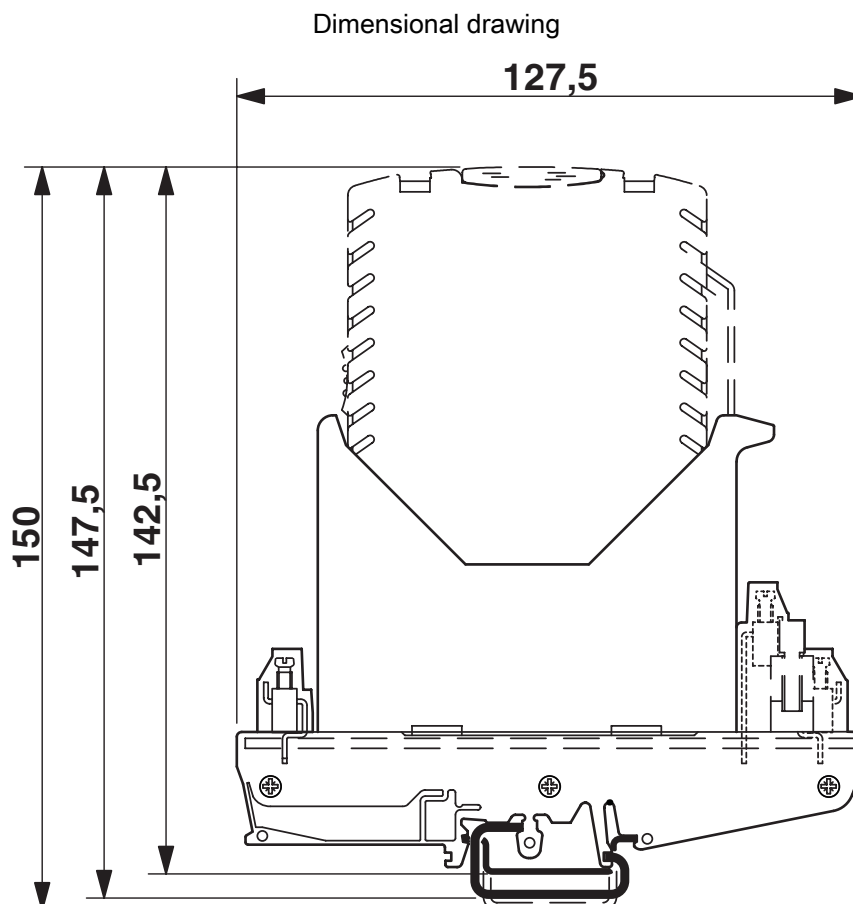
Mounting type	DIN rail mounting
---------------	-------------------

UM122-2FLK14/EX-MB/4/OUT/S7 - Basic terminal block

2865159

<https://www.phoenixcontact.com/us/products/2865159>

Drawings

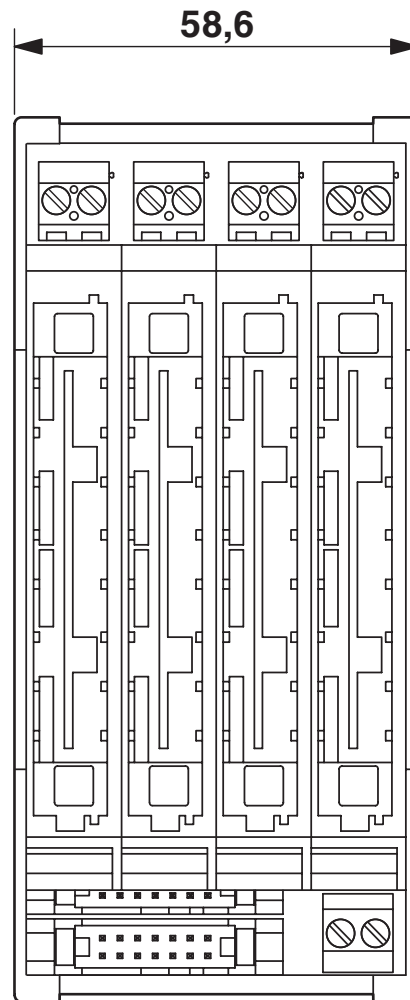


UM122-2FLK14/EX-MB/4/OUT/S7 - Basic terminal block

2865159

<https://www.phoenixcontact.com/us/products/2865159>

Dimensional drawing



UM122-2FLK14/EX-MB/4/OUT/S7 - Basic terminal block



2865159

<https://www.phoenixcontact.com/us/products/2865159>

Classifications

UNSPSC

UNSPSC 21.0	39121400
-------------	----------

UM122-2FLK14/EX-MB/4/OUT/S7 - Basic terminal block



2865159

<https://www.phoenixcontact.com/us/products/2865159>

Environmental product compliance

EU RoHS

Fulfills EU RoHS substance requirements	Yes, No exemptions
---	--------------------

China RoHS

Environment friendly use period (EFUP)	EFUP-E
	No hazardous substances above the limits

EU REACH SVHC

REACH candidate substance (CAS No.)	No substance above 0.1 wt%
-------------------------------------	----------------------------

Phoenix Contact 2026 © - all rights reserved
<https://www.phoenixcontact.com>

Phoenix Contact USA
586 Fulling Mill Road
Middletown, PA 17057, United States
(+717) 944-1300
info@phoenixcon.com